

# EXTERNAL DESKTOP POWER SUPPLY

## 24VDC 64.8WATT



### T5799ST

#### Features:

- Universal Input
- IEC-320-C8 Input Connector
- 3 Year Warranty
- Efficiency Level VI
- Safety approved to: UL,CUL,FCC,GS,CE,RCM



#### Description:

The Stontronics Range of 64.8 watt AC/DC switch mode power supplies provide 64.8 watts of continuous output power in a high quality compact enclosure suitable for many general power applications.

Specification	
Part Code	T5799ST
Input Voltage Range	90 → 264 Vac
Input Frequency Range	47 → 63Hz
Input Connector	IEC 320-C8
Input Current Rated	1.5A RMS Max
Inrush Current	No damage at 240VAC Cold Start
Leakage Current	<0.25mA
Efficiency	88% Min
Input Power(Output: No Load)	<0.21W (CEC &DOE Level VI Compliant)
Output Voltage Rating	24VDC±5%
Output Current Range	2.7A
Output Min Current	0A
Output Connection Type	2.1 x 5.5 x 12 mm centre positive – RIGHT ANGLE
Line and Load Regulation	+/-5%
Over Voltage Protection	32.4V DC Max
Short Circuit Protection	Output shut down and auto restart
Ripple Voltage	240mV (p-p) (100-240V AC Input)
Hi-Pot	3000VAC 10mA 1 minute.
Safety Approved	UL,CUL,CB,CE,RCM,R-MEPS,GS
EMI Standard	C-TICK - AS/NZS CISPER22
Operating Temperature Range	0 → +40 °C
Storage Temperature	-10 to 70°C
Operating Humidity	20% to 80%
Storage Humidity	10% to 90%
Dimensions	(L) 121 x (W) 52 x (H) 33mm
Product Weight	200g
Regulator Type	Switched Mode Power Supply

#### General Note

TT Electronics reserves the right to make changes in product specification without notice or liability. All information is subject to TT Electronics' own data and is considered accurate at time of going to print.

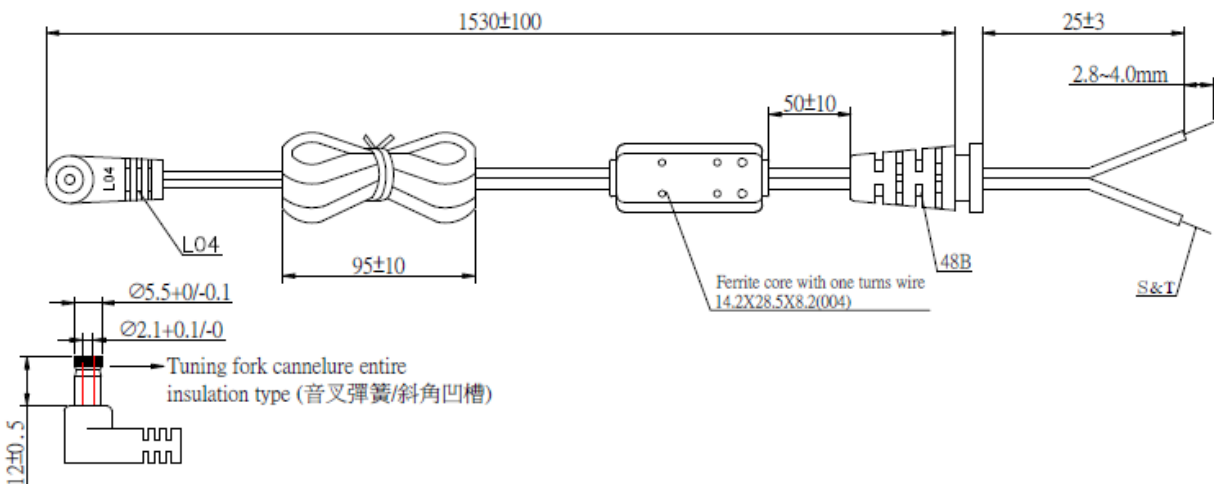
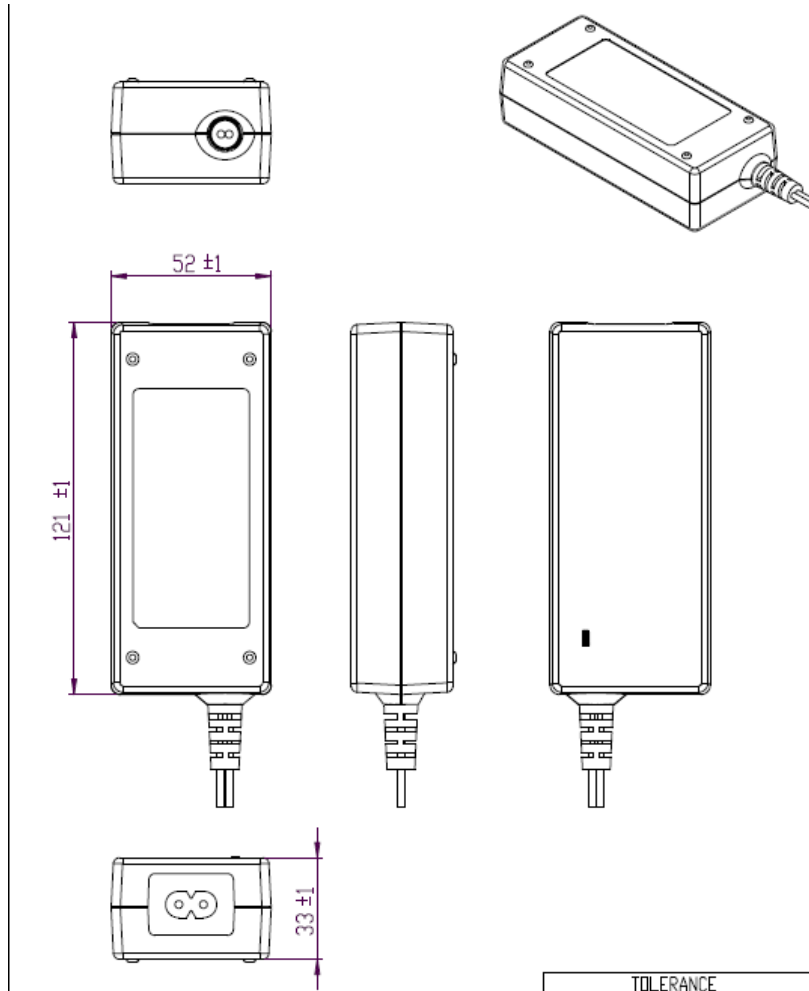
TT Electronics | Stontronics Ltd  
Chancerygate Business Centre, Cradock Road, Reading RG2 0AH, UK  
t: +44 (0) 118 931 1199

# EXTERNAL DESKTOP POWER SUPPLY 24VDC 64.8WATT



T5799ST

## Diagrams



General Note  
TT Electronics reserves the right to make changes in product specification without notice or liability. All information is subject to TT Electronics' own data and is considered accurate at time of going to print.

TT Electronics | Stontronics Ltd  
Chancerygate Business Centre, Cradock Road, Reading RG2 0AH, UK  
t: +44 (0) 118 931 1199

