

EXTERNAL DESKTOP POWER SUPPLY

12VDC 60WATT



T5994ST

Features:

- Universal Input
- IEC-320-C14 Input Connector
- 3 Year Warranty
- Efficiency Level VI
- Safety approved to: UL,CUL,FCC,GS,CE,RCM



Description:

The Stontronics Range of 60 watt AC/DC switch mode power supplies provide 60 watts of continuous output power in a high quality compact enclosure suitable for many general power applications.

Specification	
RS Stock No.	T5994ST
Input Voltage Range	90 → 264 V ac
Input Frequency Range	47 → 63Hz
Input Connector	IEC 320-C14
Input Current Rated	500mA Rms Max
Inrush Current	50A Max. at 115VAC cold start
	100A Max. at 230VAC cold start
Leakage Current	0.25mA
Efficiency	85% Min
Input Power(Output: No Load)	<0.1W (CEC & DOE LEVEL VI Compliant)
Output Voltage Rating	12 VDC
Output Current Range	5A
Output Min Current	0A
Output Connection Type	2.1 x 5.5 x 12 mm Centre Positive - Right Angle
Line and Load Regulation	+/-5%
Over Voltage Protection	Protection zener
Over Load Protection	<10A output load
Short Circuit Protection	Output shut down auto recover
Ripple Voltage	150 mV (p-p) (100V-240V AC Input)
Hi-Pot	1500Vac or 2121VDC 10mA 1 min
Safety Approved	GS,CB,CE,UL/CUL,RCM, R-MEPS
EMI Standard	FCC Class B, CE
Operating Temperature Range	0 → +40 °C
Storage Temperature	-40 to 80°C
Operating Humidity	20% to 80%
Storage Humidity	20% to 98%
Dimensions	(L) 118.0 x (W) 51 x (H) 1mm
Product Weight	130G
Regulator Type	Switched Mode Power Supply

General Note

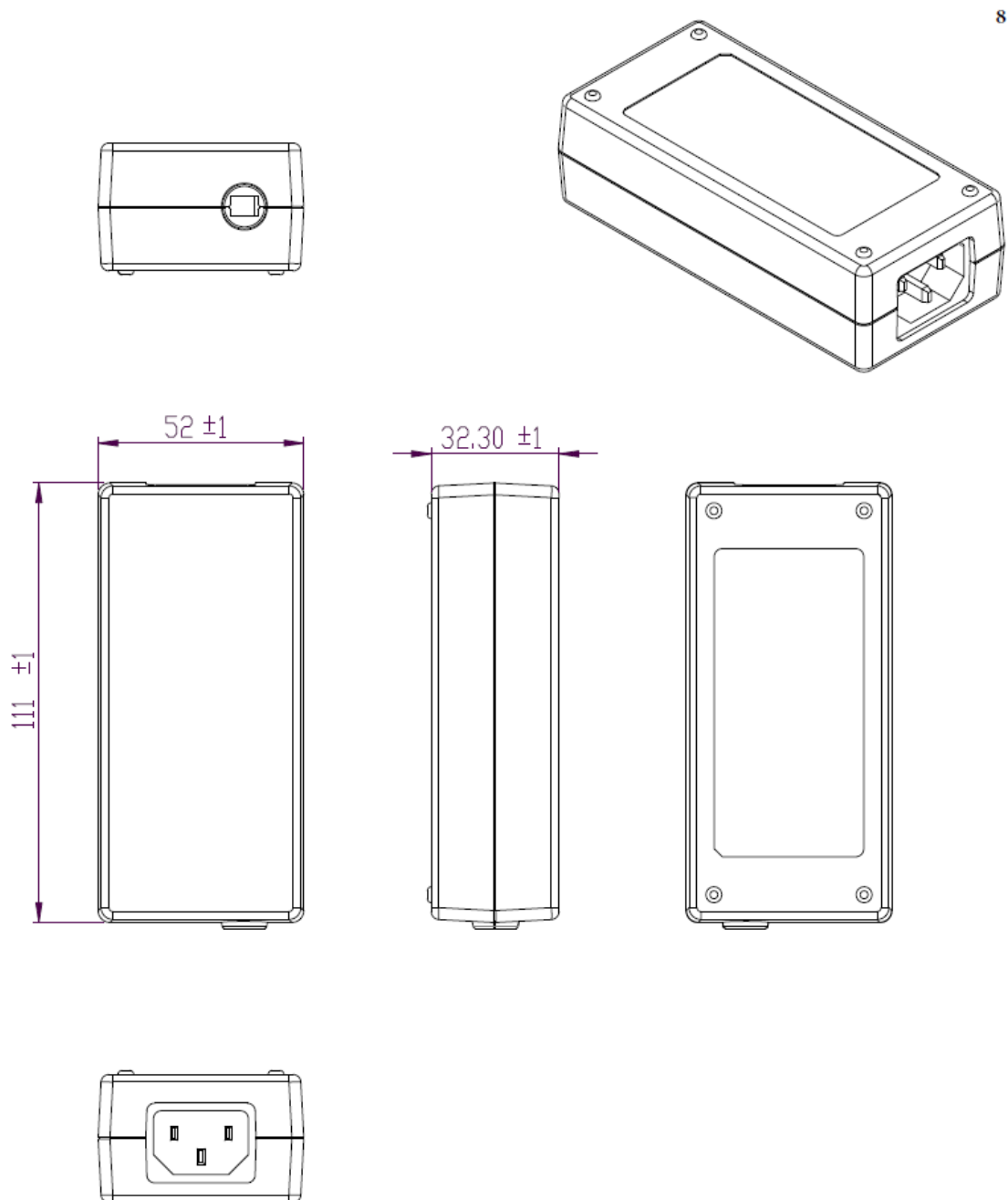
TT Electronics reserves the right to make changes in product specification without notice or liability. All information is subject to TT Electronics' own data and is considered accurate at time of going to print.

TT Electronics | Stontronics Ltd
Chancerygate Business Centre, Cradock Road, Reading RG2 0AH, UK
t: +44 (0) 118 931 1199

EXTERNAL DESKTOP POWER SUPPLY 12VDC 60WATT

T5994ST

Diagrams



General Note

TT Electronics reserves the right to make changes in product specification without notice or liability. All information is subject to TT Electronics' own data and is considered accurate at time of going to print.