

MDR-60 Series

60W Single Output Industrial DIN Rail Power Supply



Case No: 8017HT
40 x 90 x 100mm

Features

- Universal AC input / Full range
- Protections: Short Circuit / Overload / Over voltage / Over Temperature
- Can be installed on DIN rail TS-35/7.5 or 15
- Cooling by free air convection
- LED indicator for power on
- DC OK relay contact
- No load power consumption <0.75W
- 100% full load burn-in test
- 3 years warranty



Specification

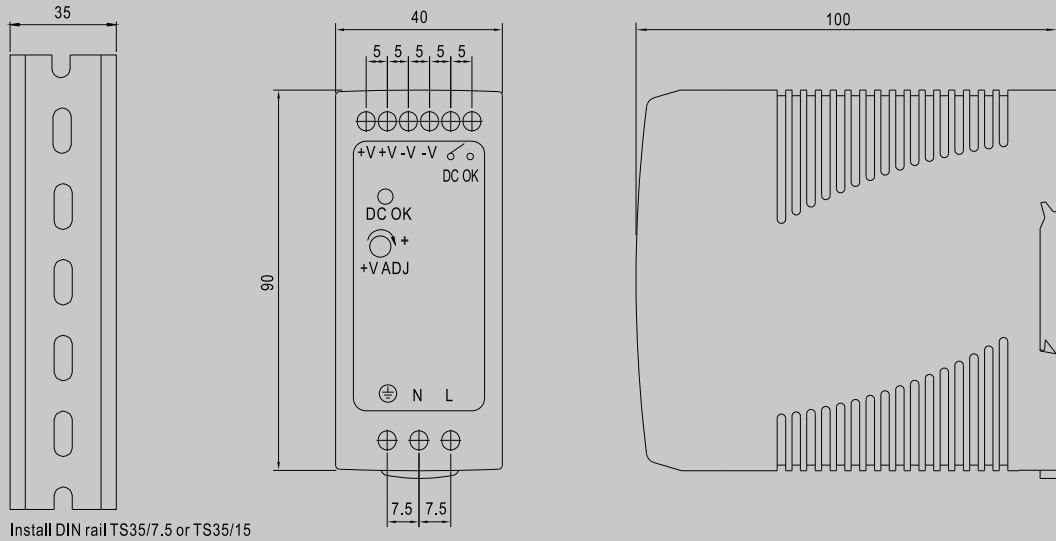
INPUT	Voltage	85~264VAC 120~370VDC			
	Frequency	47 ~ 63 Hz			
	Efficiency	78%	86%	88%	87%
	AC Current (Typ.)	1.8A/115VAC 1A/230VAC			
	Inrush Current (Typ.)	Cold start 30A/115VAC 60A/230VAC			
	Leakage Current	<1mA/240VAC			
OUTPUT	MODEL No.	MDR-60-5	MDR-60-12	MDR-60-24	MDR-60-48
	Voltage	5V	12V	24V	48V
	Rated Current	10A	5A	2.5A	1.25A
	Current Range	0~10A	0~5A	0~2.5A	0~1.25A
	Rated Power	50W	60W	60W	60W
	Ripple Noise MAX.	80mVp-p	120mVp-p	150mVp-p	200mVp-p
	Voltage Adjustment Range	5 ~ 6V	12 ~ 15V	24 ~ 30V	48 ~ 56V
	Voltage Tolerance	± 2.0%	± 1.0%	± 1.0%	± 1.0%
	Line Regulation	± 1.0%	± 1.0%	± 1.0%	± 1.0%
	Load Regulation	± 1.5%	± 1.0%	± 1.0%	± 1.0%
	Setup Rise Time	500ms, 30ms/230VAC		500ms, 30ms/115VAC at full load	
	Holdup Time (Typ.)	50ms/230VAC		20ms/115VAC at full load	
PROTECTION	Over Load	105~150% rated output power Protection Type: Constant current limiting, recovers automatically after fault condition is removed			
	Over Voltage	6.25~7.25V	15.6~18V	31.2~36V	57.6~64.8V
		Protection Type: Shut down o/p voltage, re-power on to recover			
FUNCTION	DC OK Signal	Relay contact rating (max): 30V/1A resistive			
ENVIRONMENT	Working Temperature	-20~+70°C (Refer to "Derating Curve")			
	Working Humidity	20~90% RH non-condensing			
	Storage Temp., Humidity	-40~ +85°C, 10~95%RH			
	Temp. Co-efficient	±0.03% / °C (0~50°C)			
	Vibration	10~500Hz, 2G 10min./1cycle, 60 min. each along X, Y, Z axes; Mounting: compliance to IEC60068-2-6			
SAFETY & EMC	Safety Standards	UL508, UL60950-1, TUV EN60950-1 approved			
	Withstand Voltage	I/P-O/P:3KVAC I/P-FG:2KVAC O/P-FG:0.5KVAC			
	Isolation Resistance	I/P-O/P, I/P-FG, O/P-FG:>100M Ohms/500Vdc/25°C/70% RH			
	EMC Emission	Compliance to EN55011, EN55022 (CISPR22), EN61204-3, Class B, EN61000-3-2, -3			
	EMC Immunity	Compliance to EN61000-4-2,3,4,5,6,8,11, EN55024, EN61000-6-2, EN61204-3, heavy industry level, criteria A			
OTHERS	M.T.B.F.	299.2K hrs min. MIL-HDBK-217F (25°C)			
	Packaging	0.33Kg; 42pcs/14.8Kg/0.82CUFT			

1. All parameters NOT specially mentioned are measured at 230VAC input, rated load and 25°C of ambient temperature.
2. Ripple and noise are measured at 20MHz of bandwidth by using a 12" twisted pair-wire terminated with a 0.1uf & 47uf parallel capacitor.
3. Tolerance: includes set up tolerance, line regulation and load regulation.
4. The power supply is considered as a component which will be installed with final equipment. The final equipment must re-confirmed that it still meets EMC Directives. For guidance on how to perform these EMC tests, please refer to "EMI testing of component power supplies."
5. Length of setup time is measured at first cold start. Turning ON/OFF the power supply may lead to increase of the setup time.

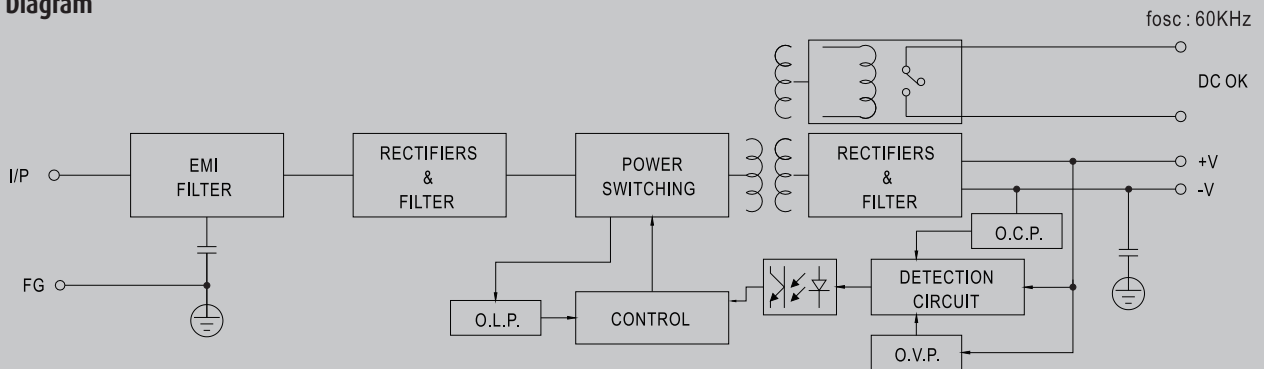
MDR-60 Series

60W Single Output Industrial DIN Rail Power Supply

Mechanical Specification



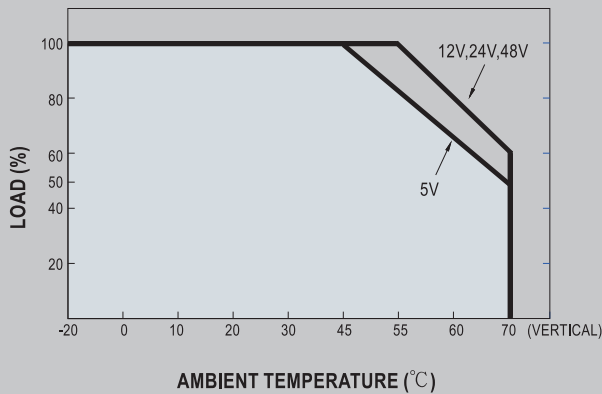
Block Diagram



DC OK Relay Contact

Contact Close	PSU turns on / DC OK.
Contact Open	PSU turns off / DC Fail.
Contact Ratings (max.)	30V/1A resistive load.

Derating Curve



Derating Curve

