

IRM-45 Series

45W Single Output Encapsulated Power Supply



Case No: 8917HN ~ PCB mounting style: 87 x 52 x 29.5mm
Case No: 8914EX ~ Screw terminal style: 109 x 52 x 33.5mm

Features

- Universal AC input / Full range
- Compact size
- Protections: Short circuit / Overload / Over Voltage
- Cooling by free air convection
- Isolation class II
- No load power consumption <0.1W
- Pass LPS (Except for 5V)
- 100% full load burn-in test
- High reliability
- 3 years warranty



(Except for 5V)

Specification

INPUT	Voltage	85 ~ 264VAC				
	Frequency	47 ~ 440Hz				
	AC Current	1.5A/115VAC		0.75A/230VAC		
	Efficiency	83.5%	87.5%	88.5%	89.5%	90.5%
	Inrush Current	Cold Start 30A/115VAC 60A/230VAC				
	Leakage Current	<0.25mA/240VAC				
	OUTPUT	MODEL No.	IRM-45-5	IRM-45-12	IRM-45-15	IRM-45-24
DC Voltage		5V	12V	15V	24V	48V
Rated Current		8A	3.8A	3A	1.9A	0.94A
Current Range		0 ~ 8A	0 ~ 3.8A	0 ~ 3A	0 ~ 1.9A	0 ~ 0.94A
Rated Power		40W	45.6W	45W	45.6W	45.12W
R & N (max)		80mVp-p	150mVp-p	180mVp-p	200mVp-p	300mVp-p
Voltage Tolerance		±2.5%	±2.5%	±2.5%	±2.5%	±2.5%
Line Regulation		±0.5%	±0.5%	±0.5%	±0.5%	±0.5%
Load Regulation		±1.0%	±1.0%	±0.5%	±0.5%	±0.5%
Setup, Rise Time		1000ms, 30ms/230VAC 2000ms, 30ms/115VAC at full load				
Hold Up Time		50ms/230VAC 12ms/115VAC at full load				
PROTECTION	Overload	115% ~ 160% rated output power Protection Type: Hiccup mode, recovers automatically after fault condition is removed				
	Over Voltage	5.25 ~ 6.75V	12.6 ~ 16.2V	15.75 ~ 20.25V	25.2 ~ 32.4V	50.4 ~ 64V
		Protection type : Shut off o/p voltage, clamping by zener diode				
ENVIRONMENT	Working Temperature	-30 ~ +70°C (Refer to "Derating Curve")				
	Working Humidity	20 ~ 90% RH non-condensing				
	Storage Temp.	-40°C ~ +85°C, 10~95% RH				
	Temp. Coefficient	±0.03%/°C (0~50°C)				
	Vibration	10 ~ 500Hz, 5G 10min./1 cycle, period for 60 min. each long X, Y, Z axes				
SAFETY & EMC	Safety Standards	UL60950-1, TUV EN60950-1 approved				
	Withstand Voltage	I/P-O/P:3KVAC				
	Isolation Resistance	I/P-O/P:100M Ohms / 500VDC / 25°C / 70% RH				
	EMC Emission	Compliance to EN55022 (CISPR22) Class B, EN61000-3-2,-3,				
	EMC Immunity Compliance to EN61000-4-2,3,4,5,6,8,11, EN55024, heavy industry level (surge L-N:1KV), criteria A					
OTHERS	MTBF	1212Khrs min. MIL-HDBK-217F (25°C)				
	Packaging	PCB mounting style: 0.23Kg;60pcs/14.8Kg/0.97CUFT Screw terminal style: 0.28Kg;60pcs/15.4Kg/0.74CFT				

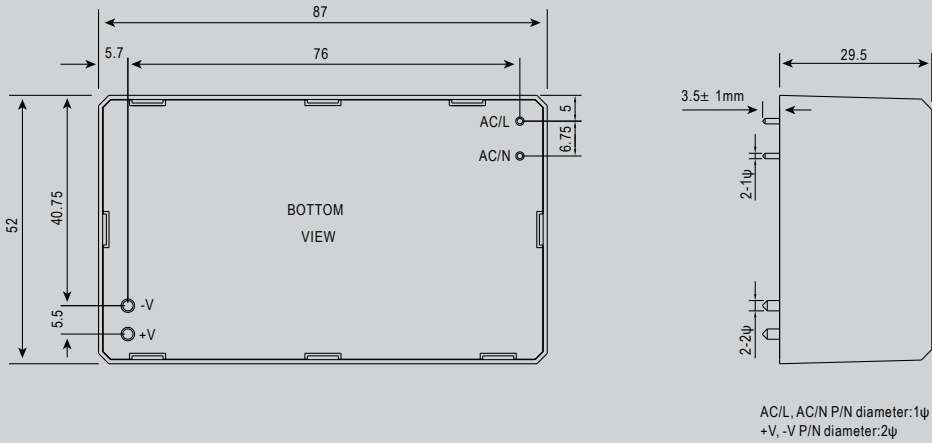
1. All parameters NOT specially mentioned are measured at 230VAC input, rated load and 25°C of ambient temperature.
2. Ripple & Noise are measured at 20MHz of bandwidth by using a 12" twisted pair-wire terminated with a 0.1uf & 47uf parallel capacitor.
3. Tolerance: includes set up tolerance, line regulation and load regulation.

IRM-45 Series

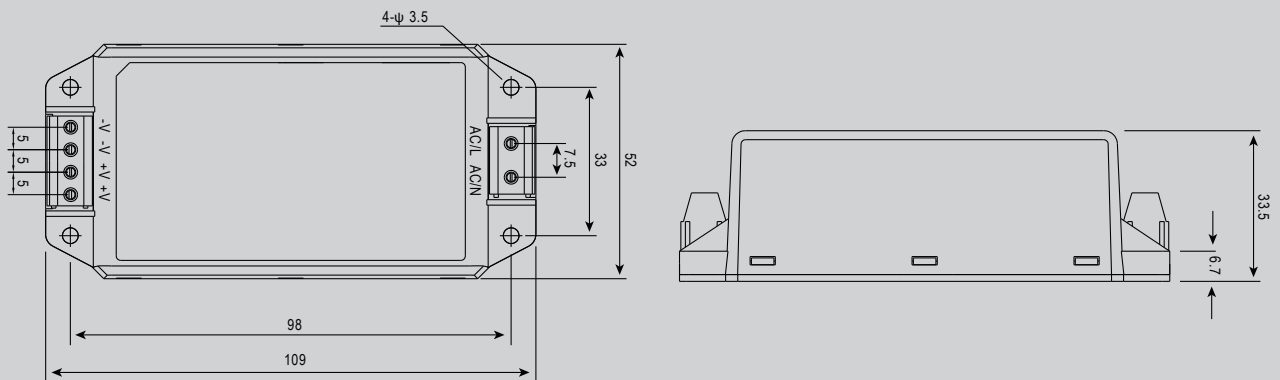
45W Single Output Encapsulated Power Supply

Mechanical Specification

PCB mounting style



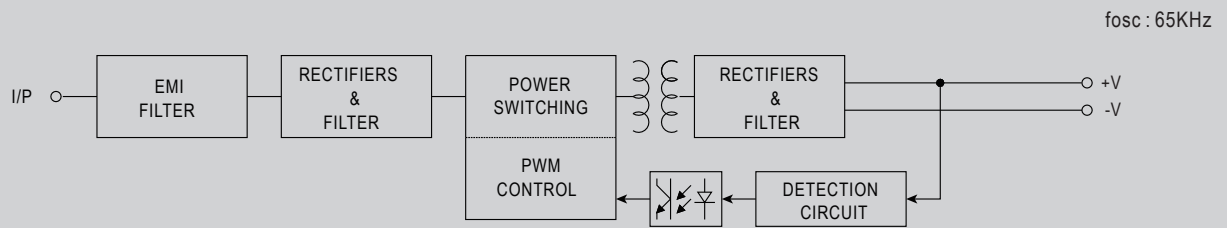
Screw terminal style



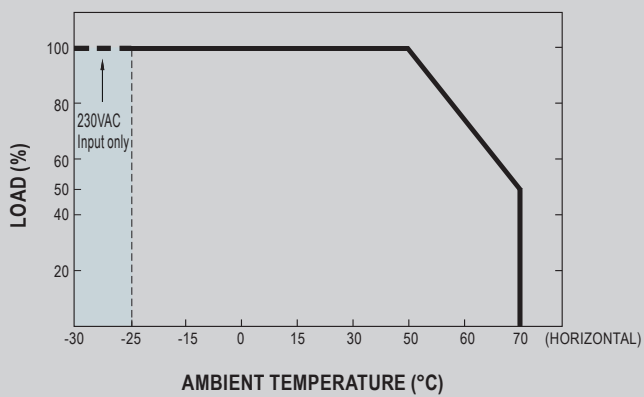
IRM-45 Series

45W Single Output Encapsulated Power Supply

Block Diagram



Derating Curve



Output Derating VS Input Voltage

