

DIN RAIL POWER SUPPLY

48VDC 360WATT

STONTRONICS: DG-360-48



Features:

- Universal / Full Range Input
- Highly Reliable Design
- 100% Full Load Burn-in Test
- 3 Year Warranty

Description:

The TT Electronics range of Din Rail Power Supplies can be installed on either TS-35/7 or TS-35/18. Featuring wide ranging universal Input for many industrial application and come with a 3 year warranty as standard. This 360watt unit is offered in 48v and comes with built in active PFC

Specification	
Part Number	DG-360-48
DC Output	48V
Rated Output Current	7.5A
Ripple & Noise	<240mV
Voltage ADJ Range	24-28V
Voltage Accuracy	+/-3%
Line Regulation	+/- 0.5%
Load Regulation	+/-1%
Set up Time	<3S@230Vac
Hold up Time	<20mS @ 230Vac input, Full load
Temperature Coefficient	+/-0.03%
Overshoot and Undershoot	<5%
Input Voltage Range	85Vac - 264Vac
Input Frequency	47Hz-63Hz
Efficiency	94%
AC Current (max.)	<3A/100Vac
Inrush Current (max.)	<20A/110Vac <40A/230Vac Cold start
Leakage Current	Input-output:<0.25mA
Over Load Protection	120% - 150% of rated current
Over Voltage Protection	29-33V, constant voltage, Auto recovery
Short Circuit	Long-term mode, auto recovery
Operating Temp. & Humidity	-25°C to 70°C / 20% to 90%
Storage Temp. & Humidity	-40°C to 85°C / 5% to 95%
Safety Standards	UL508, UL60950, EN60950
Withstand Voltage	Primary-Secondary:3.0KVac; <10mA
Isolation Resistance	>100M ohms
EMC Emission	Compliance to EN55022, EN55024, FCC PART 15 Class B
EMC Immunity	Compliance to EN61000-4-2,3,4,5,6,8,11; heavy industry level
MTBF	>300,000 hours
Dimensions	50mm x 124mm x 127mm

General Note

TT Electronics reserves the right to make changes in product specification without notice or liability. All information is subject to TT Electronics' own data and is considered accurate at time of going to print.

STONTRONICS

TT Electronics IoT Solutions Ltd
Tofts Farm East, Brenda Road, Hartlepool, TS25 2BQ, UK
t: +44 (0) 1429 852 500

DIN RAIL POWER SUPPLY

48VDC 360WATT

STONTRONICS: DG-360-48



Diagrams

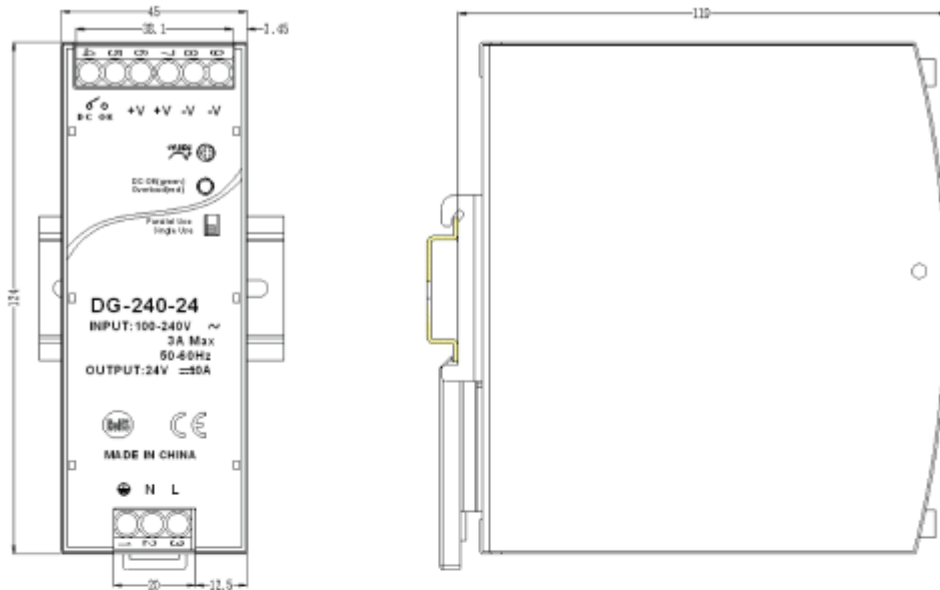


Fig. 11-1 Functional diagram

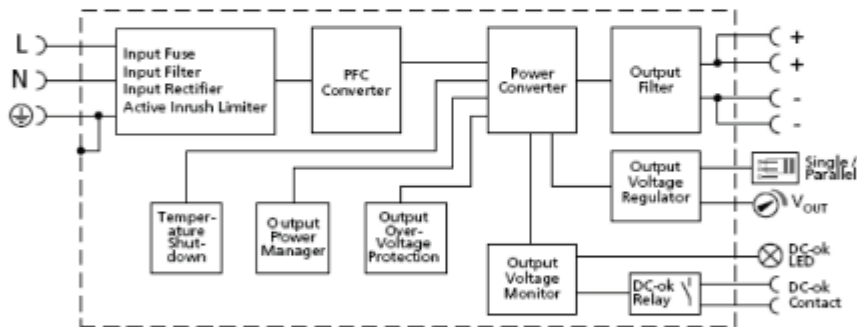
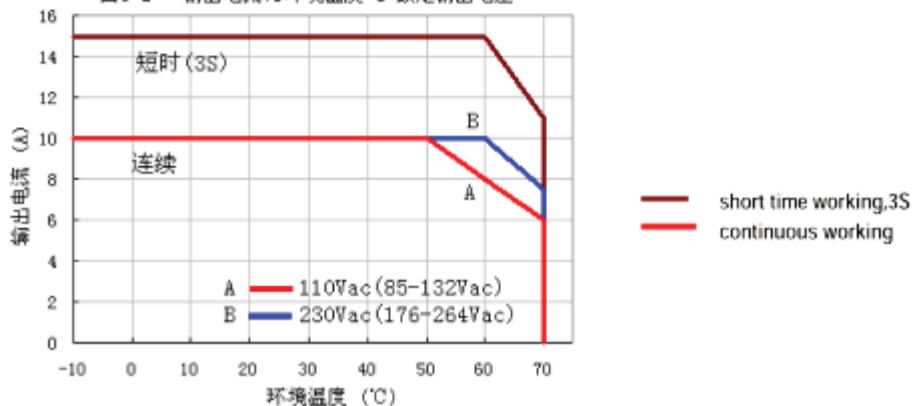


图6-2 输出电流VS环境温度 @ 额定输出电压



General Note
TT Electronics reserves the right to make changes in product specification without notice or liability. All information is subject to TT Electronics' own data and is considered accurate at time of going to print.