

LUGGED – 12vdc 2A (24W)



TIGER PART: TP1016

Features:

- Supplied with fixed AC mains cable (Bare end / UK/ Euro options)
- Universal 100-240vac input voltage
- Class II design
- Level VI efficiency
- Approved to latest EN62368-1 safety standard



The Tiger Power range of lugged power supplies feature a fixed AC cable which helps prevent accidental disconnection from the mains supply. The AC cable can be supplied either bare ended or fitted with a UK or Euro plug. The screw holes which are integral to the plastic enclosure enable the power supply to be fixed down. Approved to latest safety and efficiency standards, these power supplies are suitable for a wide range of applications.

Part number (Bare end cable):	TP1016-BE
Part number (UK cable):	TP1016
Part number (European cable):	TP1016-E
Input voltage:	100-240vac (90-264vac max.)
Input frequency:	47 - 63Hz
Output voltage:	12vdc
Current:	2A
Power :	24 Watts
Protection:	Short Circuit, Over voltage
Dimensions:	95 x 43 x 30mm
Weight:	180g
AC cord length:	1.5 metres
DC cord length:	1.5 metres
DC connector:	2.1 x 5.5 x 12mm (Female)
Polarity:	+ve (positive) centre
Efficiency:	83%
Input current RMS Max.:	0.5A
Inrush Current at 230vac:	40A
Leakage current:	<0.25mA
Safety approval:	EN62368-1
M.T.B.F.:	50,000 hours
Operating temperature:	0°C to + 40°C

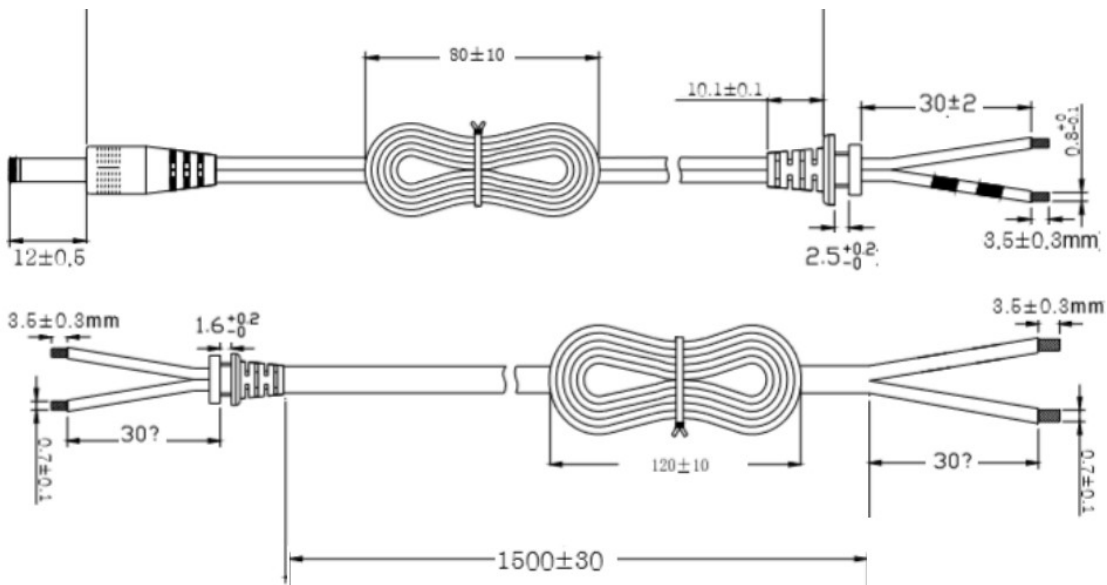
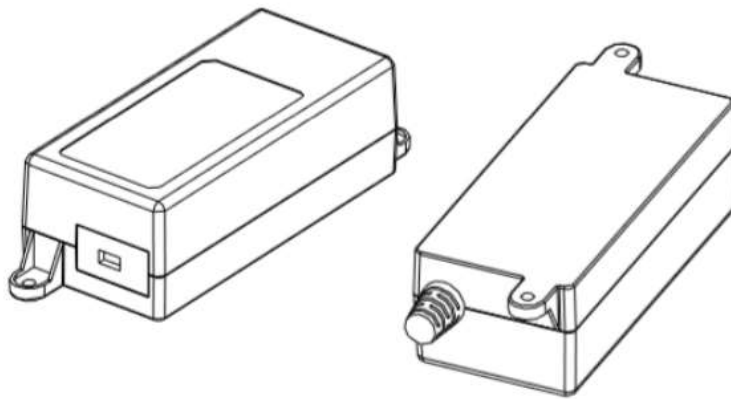
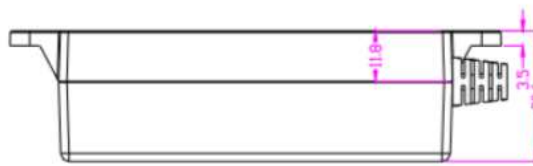
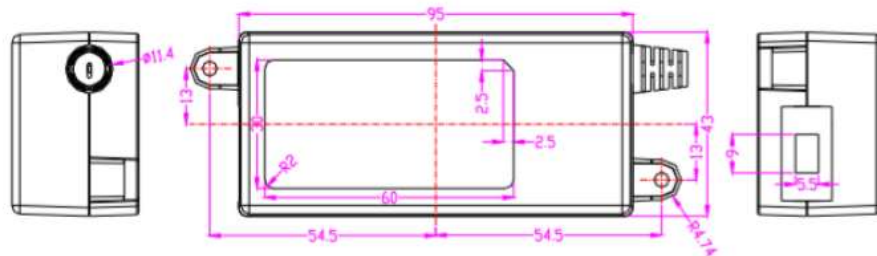
TIGER POWER PRODUCTS – QUALITY & RELIABILITY

This specification is not for general release or circulation. Tiger Power reserves the right to make changes to spec. or product without notice or liability.

LUGGED SERIES - 12VDC 2A



TIGER PART: TP1016



TIGER POWER PRODUCTS – QUALITY & RELIABILITY

This specification is not for general release or circulation. Tiger Power reserves the right to make changes to spec. or product without notice or liability.