

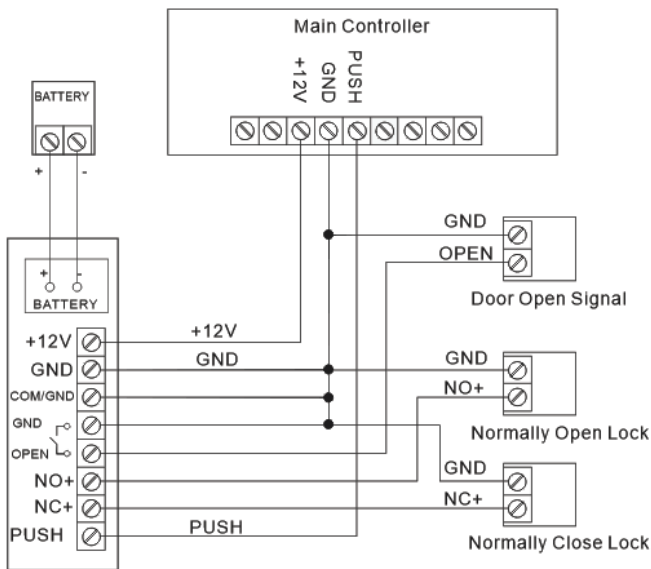
# 12V 5A 60W UPS Battery Back Up Access Security Power Supply



## Features:

Part number TGR-UPS-12V-5A-60W

- Input voltage: 90V-265VAC, 47-63Hz
- Output voltage: DC12V-DC15V Adjustable
- Output current: 5A
- Unlock delay time: 0-45s
- Battery supported: 12V7Ah Lead-Acid
- Working humidity: <95%
- Working temperature: -20~50 °C
- Battery charging current: 0.15A
- Power no delay: No power interruption when AC mode turn to battery mode
- Battery protection: When battery voltage falls below 10V the system shuts down



Connection Diagram

Please refer to installation notes provided on page 2

The Tiger Power TGR-UPS-12V-5A-60W is a 12V 5A 60W power supply which features battery back up (UPS) function, with over charging / discharging protection and reverse polarity protection. When the battery output voltage drops to 10V the system will automatically shut down to extend battery usage life. The delay control circuit features a 0-45s adjustable unlock time when used for access security applications. The LED indicator shows unlock status as well as AC input, DC output and Battery output. The unit supports a wide type of access control system devices, NC or NO lock, Active Low main controller etc.

## TIGER POWER PRODUCTS – QUALITY & RELIABILITY

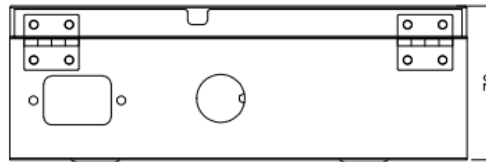
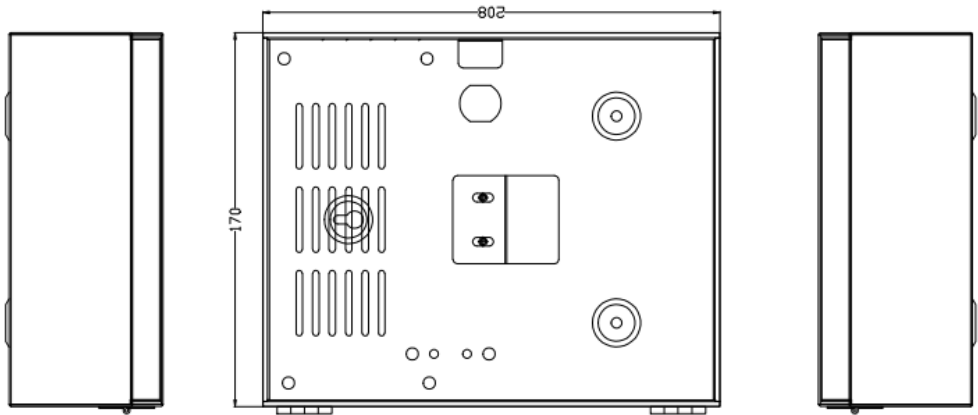
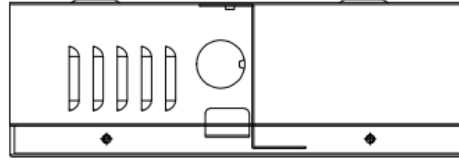
This specification is not for general release or circulation. Tiger Power reserves the right to make changes to spec. or product without notice or liability.

# 12V 5A 60W UPS Battery Back



# Up Access Security Power Supply

Part number TGR-UPS-12V-5A-60W



## Installation Notes:

- 1) DO NOT operate when AC in is connected. All connections must be made before connecting AC input.
- 2) The product should be installed indoor only in a dry, well ventilated location without direct sunlight.
- 3) Please make sure all connection wires are correct before using, especially the Positive(+) and negative(-) of battery connection.
- 4) Before connecting an electronic Lock please turn the 'Time Delay' button to 0s to avoid burning lock coil.
- 5) After AC connected, RED and GREEN LED indicator should light. If not, please check if AC socket has a poor contact or the input fuse is blown.
- 6) When AC input cuts off, The YELLOW and GREEN LED indicator should light. If not please check if fuse is blown, a battery connecting wire has fallen off, or the battery capacity is lower than 10V.

**TIGER POWER PRODUCTS – QUALITY & RELIABILITY**

This specification is not for general release or circulation. Tiger Power reserves the right to make changes to spec. or product without notice or liability.