

# 7.5V DC 1.2A UK Power Supply

## TIGER PART: TP1010

### Features:

- Supplied with fixed UK pins
- Universal 100-240vac input voltage
- Level VI efficiency
- Approved to latest EN62368-1 safety standard
- CE and UKCA approved



Part number:	TP1010
Input voltage:	100-240vac (90-264vac max.)
Input frequency:	47 - 63Hz
Output voltage:	7.5vdc
Current:	1200mA (1.2amp)
Power :	9 Watts
Protection:	Short Circuit, Over voltage
Dimensions:	59 x 48 x 29mm
Cord length:	1.5 metres
DC connector:	2.5 x 5.5 x 12mm (Female)
Polarity:	+ve (positive) centre
Leakage current:	<0.25mA
Operating temperature:	0°C to + 40°C

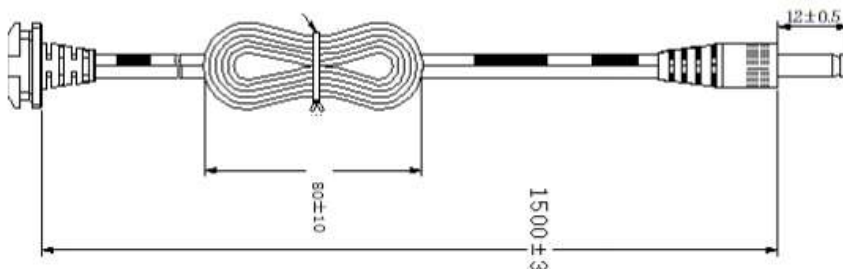
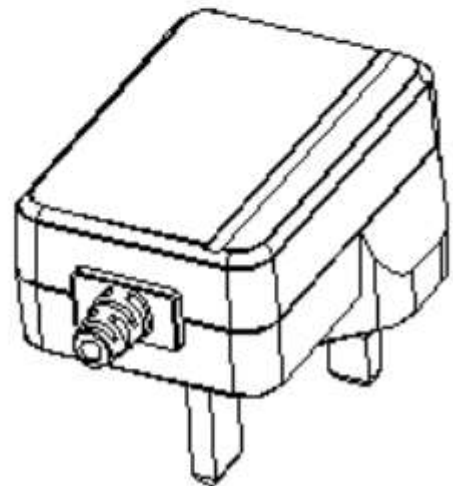
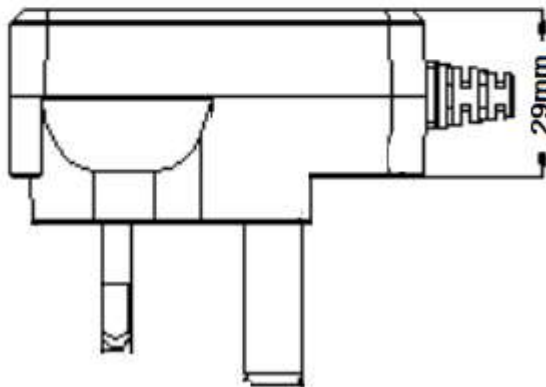
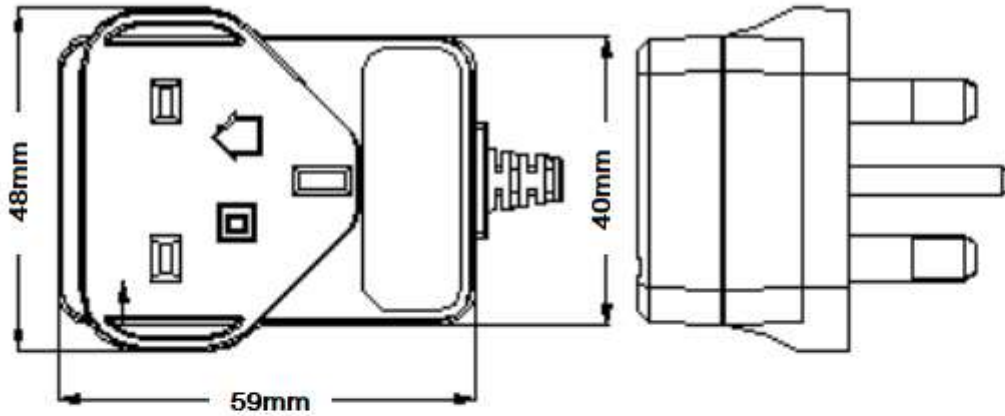
**TIGER POWER PRODUCTS – QUALITY & RELIABILITY**

This specification is not for general release or circulation. Tiger Power reserves the right to make changes to spec. or product without notice or liability.

# 7.5V DC 1.2A UK Power Supply



TIGER PART: TP1010



## TIGER POWER PRODUCTS – QUALITY & RELIABILITY

This specification is not for general release or circulation. Tiger Power reserves the right to make changes to spec. or product without notice or liability.