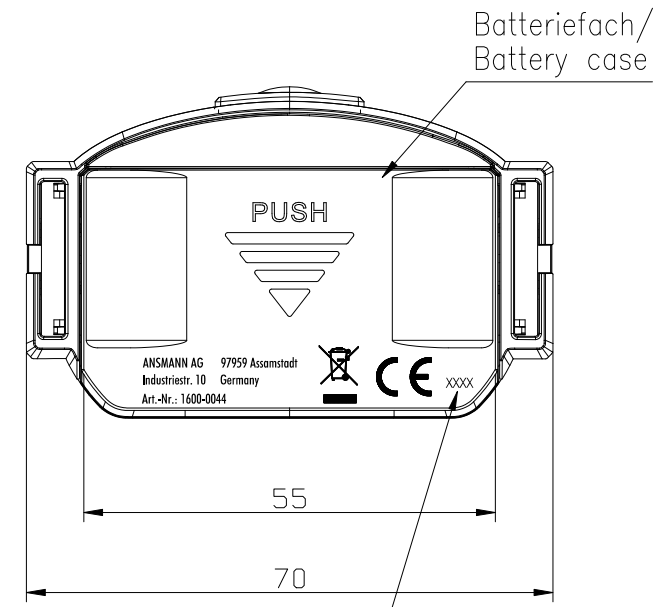
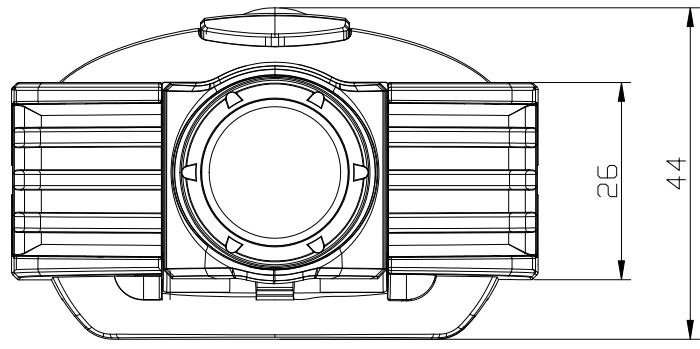
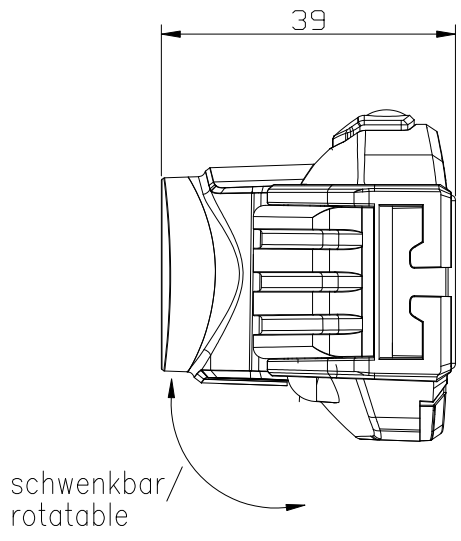
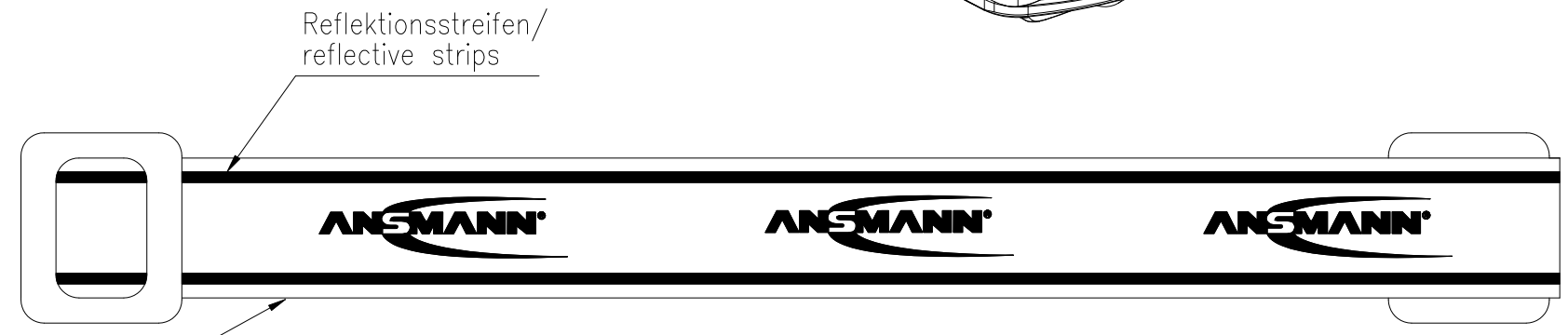
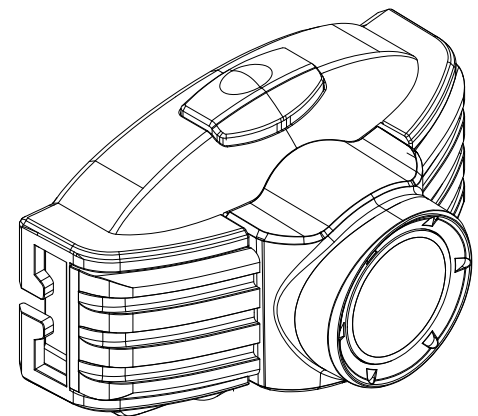
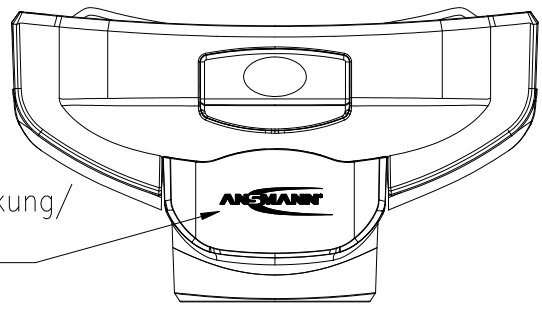


The supplier acknowledges that, with the acceptance of the drawing, he is in a position to manufacture the illustrated part in accordance with the drawing in reproducible form and series production. Through the selected manufacturing processes no impairments will arise in the material and structure which could subsequently lead to an impairment of the component. Verbal agreements over and above that are not valid. Deviations from this rule must be written and must be signed by the purchaser.

This drawing may not be copied, reproduced or made available to third parties in any way whatsoever without or prior written approval.



Verschlüsseltes Produktionsdatum/
date code (coded production date)



Technische Daten/
technical data

- Leuchtmittel/
illuminant : 1.8W Professional LED
- Lebensdauer/
Life-time : ca./approx. 50.000h
- Zellenzahl/
number of cells : 3x AAA Micro, im Lieferumfang enthalten/
3x AAA Micro, included
- Sichtweite/
visual range : 200m
- Leuchtdauer/
operating time : 15h
- Helligkeit/
brightness : 150 Lumen
4000 Lux
- Schutzart/
protection : IP54
- Gehäuse/
housing : Kunststoffgehäuse, schwarz
plastic housing, black
- Gewicht/
weight : 82.5g mit Batterien/
82.5g with batteries
- Verpackung/
package : Blisterverpackung/
blister package
- Approbation/
approval : CE

Kopfband/
headband

Verwendungsbereich/Application range für Anfrage/for inquiry ANB201257				Zul. Abweichung/ Allowable deviation	Oberfläche/ Surface	Maßstab/Scale (DIN A3): 1:1	Gewicht/Weight
				general tolerances DIN ISO 2768-m		Werkstoff/Work material, Modell-Nr.	
				2013	Datum/Date	Name	
				Erstellt/ Drawn by	04.04.13	CB	
V4	Art.-Nr. at printing changed	22.01.16	SIT				
V3	printing changed	19.01.15	SIT				
V2	date code changed and address added	21.01.14	CF				
V1	technical data updated	29.08.13	CB				
V0	---	04.04.13	CB				
Version	Änderung/Change	Datum/Date	Name	Ursprung/Origin	Proj. XX/XX/XX	Zeichnungsname/Drawing name LED-Stirnlampe FUTURE/ LED-Headlight FUTURE	
						Zeichnungsnummer/Drawing number Artikelnummer/Part number	Blatt/ Sheet
						1600-0044	1
						Ersatz für/Replaced by	Ersatz durch/Replacement through: