

Product information

26 22 200 T

Snipe Nose Side Cutting Pliers (Stork Beak Pliers)

DIN ISO 5745

- Elastic tips: dimensionally stable even when twisted
- Pliers with tether attachment point for mounting a fall protection
- Distortion-tolerant, elastic precision tips
- Half-round, long, tapered jaws
- With cutting edges for soft, medium-hard and hard wire
- Cutting edges additionally induction-hardened, cutting edge hardness approx. 61 HRC
- Vanadium electric steel, forged, multi stage oil-hardened



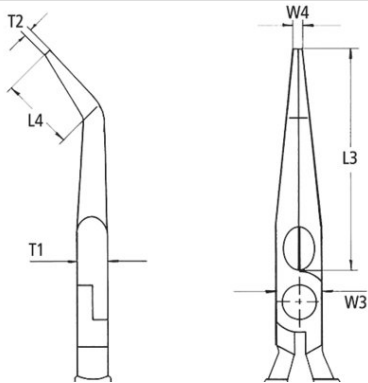
General

Article No.	26 22 200 T
EAN	4003773080008
Pliers	black atramentized
Head	polished
Handles	with multi-component grips, with integrated tether attachment point for a tool tether
weight	202 g
Dimensions	200 x 57 x 27 mm
Standard	DIN ISO 5745
Reach	no
RohS	no

Technical details

	Ø 3.2 mm
	Ø 2.2 mm
	9.5 mm
Tips width (W4)	3.0 mm
Tips thickness (T2)	2.5 mm
Gripping surface length (L4)	23.0 mm
	73.0 mm
Head width (W3)	18 mm
Style	2

Technical details



Classification

eCl@ss 5.1.4	21040301
profiCl@ss 6.0	EAC420c044
UNSPSC 13.1	27112134

technical change and errors excepted

