

8003 C Zyklop Metal Ratchet with push-through square and 1/2" drive , 1/2 inch x 281 mm
The Zyklop Ratchets, 1/2"



EAN:	4013288174055	Size:	355x50x42 mm
Part number:	05004063001	Weight:	713 g
Article number:	8003 C	Country of origin:	CZ
		Customs tariff number:	82041100



- Forged, full metal ratchet (chrome-molybdenum) that is extremely robust with a long service life; slim design to enable work in very confined spaces.
- The dual-ratchet-teeth design means that a 76 fine-toothing division can be achieved from the 38 robust teeth with a return angle of only 4.7°.
- Absolutely smooth switchover of the non-detachable push-through square
- For 1/2" square sockets with ball lock
- Very robust without any restrictions on torque

Zyklop Metal ratchet with push-through square. Slim design for work in even very confined spaces. The dual ratchet teeth design makes a 76 fine-pitched toothing out of 38 robust teeth that allows a return angle of only 4.7°. Very simple direction change by actuating the non-detachable push-through square; for the first time also with secure socket locking function. Forged, full metal ratchet (chrome-molybdenum steel) for particularly high robustness and long service life.

Web link

http://products.wera.de/en/tools_for_the_aerospace_segment_ratchets_the_zyklop_ratchets_1_2_8003_c.html

Wera - 8003 C
05004063001 - 4013288174055

Wera Werkzeuge GmbH
Korzter Straße 21-25
D-42349 Wuppertal
Tel: +49 (0)2 02 / 40 45-0
E-Mail: info@wera.de

8003 C Zyklus Metal Ratchet with push-through square and 1/2" drive , 1/2 inch x 281 mm
The Zyklus Ratchets, 1/2"



The Zyklus Ratchet Metal Push

Zyklus Metal Push

Slim design



Extremely slim. Long leverage. With push-through square.

Due to the ever-more confined working environment, space is becoming more and more an issue for the application of ratchets. Our product developers therefore intensively occupied themselves with the issue of confined working spaces, and Wera has now solved this problem. The extremely slim and robust Zyklus Metal ratchet with a long lever was what emerged. When the socket must not get lost and a coincidental change of direction has to be avoided at all cost, the Zyklus Metal Push is the correct choice.

Forged, full metal ratchet (chromo-molybdenum) that is extremely robust with a long service life; slim design to enable work in very confined spaces.

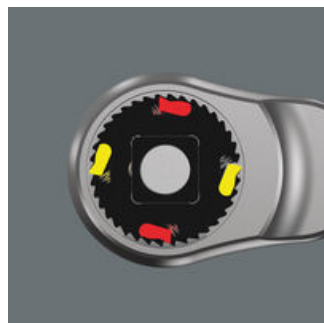
Square drive

Dual ratchet teeth

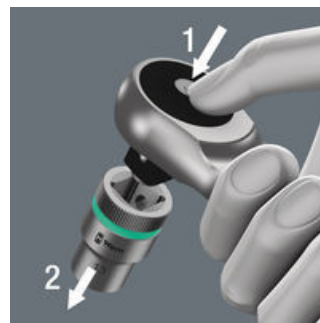
Ball lock



Smooth push-through mechanism, that cannot get lost.



The dual-ratchet-teeth design means that a 76 fine-toothing division can be achieved from the 38 robust teeth with a return angle of only 4.7°.



The ball lock holds the sockets and attachments securely, ensuring safe working. A changeover into any predefined position is completed by simply pressing the release button – this is even the case in the 90° position.

Web link

http://products.wera.de/en/tools_for_the_aerospace_segment_ratchets_the_zyklus_ratchets_1_2_8003_c.html

Wera - 8003 C
 05004063001 - 4013288174055

Wera Werkzeuge GmbH
 Korzter Straße 21-25
 D-42349 Wuppertal
 Tel: +49 (0)2 02 / 40 45-0
 E-Mail: info@wera.de

8003 C Zyklop Metal Ratchet with push-through square and 1/2" drive , 1/2 inch x
281 mm
The Zyklop Ratchets, 1/2"



Further versions in this product family:



mm

mm

mm

05004063001	1/2"	281	36	37
-------------	------	-----	----	----

Web link

http://products.wera.de/en/tools_for_the_aerospace_segment_ratchets_the_zyklop_ratchets_1_2_8003_c.html

Wera - 8003 C

05004063001 - 4013288174055

Wera Werkzeuge GmbH

Korzter Straße 21-25

D-42349 Wuppertal

Tel: +49 (0)2 02 / 40 45-0

E-Mail: info@wera.de