

8100 SC 7 Zyklop Metal Ratchet Set with push-through square, 1/2" drive, metric,
28 pieces
The Zyklop Ratchets, 1/2"



EAN:	4013288173942	Size:	325x145x70 mm
Part number:	05004077001	Weight:	2862 g
Article number:	8100 SC 7	Country of origin:	CZ
		Customs tariff number:	82041100



- Extremely slim ratchet with long lever
- Return angle of only 4.7°
- Very robust without any restrictions on torque
- Absolutely smooth switchover of the non-detachable push-through square
- Take it easy tool finder with colour coding according to sizes

Incredibly compact set arrangement with many tools in a minimum of space. A completely new ratchet set feeling thanks to the unique textile boxes that are very robust and durable. They can be positioned upright for tidy storage on the workshop shelf. Additional surface protection due to textile outer material. Low weight and volume for simpler mobility. "Take it easy" Tool Finder with colour coding according to sizes.

Web link

http://products.wera.de/en/tools_for_the_aerospace_segment_ratchets_the_zyklop_ratchets_1_2_8100_sc_7.html

Wera - 8100 SC 7
05004077001 - 4013288173942

Wera Werkzeuge GmbH
Korzter Straße 21-25
D-42349 Wuppertal
Tel: +49 (0)2 02 / 40 45-0
E-Mail: info@wera.de

**8100 SC 7 Zyklop Metal Ratchet Set with push-through square, 1/2" drive, metric,
28 pieces
The Zyklop Ratchets, 1/2"**



Set contents:



8003 C
05004063001 1 x 1/2"x281.0



8790 HMC
05003601001 1 x 10.0x37.0
05003602001 1 x 11.0x37.0
05003603001 1 x 12.0x37.0
05003604001 1 x 13.0x37.0
05003605001 1 x 14.0x37.0
05003606001 1 x 15.0x37.0
05003607001 1 x 16.0x37.0
05003608001 1 x 17.0x37.0
05003609001 1 x 18.0x37.0
05003610001 1 x 19.0x37.0



8794 LC
05003638001 1 x 1/2"x250.0



8794 C
05003639001 1 x 1/2"x52.0



8784 C2
05003641001 1 x 5/16x1/2"x50.0



851/2 Z PH
05057710001 1 x PH 2x32
05057715001 1 x PH 3x32



867/2 Z TORX®
05066901001 1 x TX 20x35
05066900001 1 x TX 25x35
05066902001 1 x TX 27x35
05066905001 1 x TX 30x35
05066910001 1 x TX 40x35
05066915001 1 x TX 45x35
05066920001 1 x TX 50x35
05066925001 1 x TX 55x35



840/2 Z
05057515001 1 x 5x30
05057520001 1 x 6x30
05057525001 1 x 8x30
05057530001 1 x 10x30

Web link

http://products.wera.de/en/tools_for_the_aerospace_segment_ratchets_the_zyklop_ratchets_1_2_8100_sc_7.html

Wera - 8100 SC 7
05004077001 - 4013288173942

Wera Werkzeuge GmbH
Korzter Straße 21-25
D-42349 Wuppertal
Tel: +49 (0)2 02 / 40 45-0
E-Mail: info@wera.de

**8100 SC 7 Zyklop Metal Ratchet Set with push-through square, 1/2" drive, metric,
28 pieces
The Zyklop Ratchets, 1/2"**



The Zyklop Ratchet Metal Push



Extremely slim. Long leverage.
With push-through square.

Zyklop Metal Push



Due to the ever-more confined working environment, space is becoming more and more an issue for the application of ratchets. Our product developers therefore intensively occupied themselves with the issue of confined working spaces, and Wera has now solved this problem. The extremely slim and robust Zyklop Metal ratchet with a long lever was what emerged. When the socket must not get lost and a coincidental change of direction has to be avoided at all cost, the Zyklop Metal Push is the correct choice.

Slim design



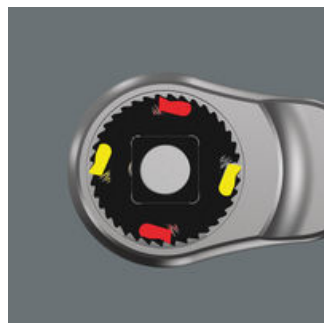
Forged, full metal ratchet (chrome-molybdenum) that is extremely robust with a long service life; slim design to enable work in very confined spaces.

Square drive



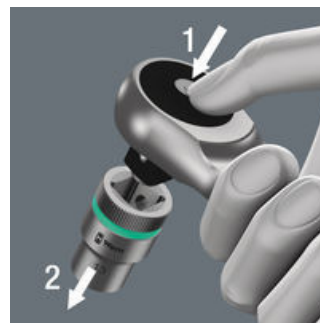
Smooth push-through mechanism, that cannot get lost.

Dual ratchet teeth



The dual-ratchet-teeth design means that a 76 fine-toothed division can be achieved from the 38 robust teeth with a return angle of only 4.7°.

Ball lock



The ball lock holds the sockets and attachments securely, ensuring safe working. A changeover into any predefined position is completed by simply pressing the release button – this is even the case in the 90° position.

Secure hold and easy removal



The all new smooth turning mechanism guarantees both secure and rattle-free storage, yet allows easy removal of the tool.

Web link

http://products.wera.de/en/tools_for_the_aerospace_segment_ratchets_the_zyklop_ratchets_1_2_8100_sc_7.html

Wera - 8100 SC 7
05004077001 - 4013288173942

Wera Werkzeuge GmbH
Korzter Straße 21-25
D-42349 Wuppertal
Tel: +49 (0)2 02 / 40 45-0
E-Mail: info@wera.de