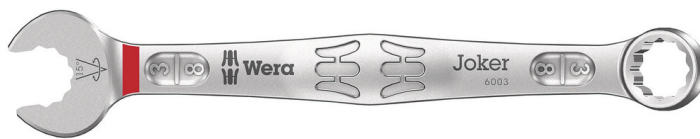


## 6003 Joker ring spanner, Imperial, 3/8" x 125 mm

Innovations and Spring / Summer Campaign 2020



<b>EAN:</b>	4013288212986	<b>Size:</b>	205x50x23 mm
<b>Part number:</b>	05020212001	<b>Weight:</b>	50 g
<b>Article number:</b>	6003 Joker Imperial	<b>Country of origin:</b>	CZ
		<b>Customs tariff number:</b>	82041100

- Especially suitable for tight spaces
- The special mouth geometry expands the placement possibilities of the tool
- The low return angle in the mouth "takes" the screw every 15°
- Slim ring side angled by 15°
- With Take it easy tool finder: colour coding by size

As the installation space becomes increasingly tight during screwdriving, it remains necessary that tools enable users to work successfully. Narrow spaces require additional placement points of the tool. Can spanners be modified so that the placement possibilities of the tool increase? The combination of the 7.5° pivoted mouth and the double hexagon geometry doubles the placement points. A repeated 180° turn of the wrench around the longitudinal axis during screwdriving provides four placement possibilities, and bolts or screw heads can be "taken" every 15°. The Joker 6003 with its smart mouth geometry significantly expands the range of uses in confined spaces. The Joker 6003 will automatically find the respective placement point after every turn. The slim yet robust ring side is angled by 15° to the tool axis. The high-quality surface treatment achieves a high and long-lasting corrosion protection. With Take it easy tool finder: colour coding by size.

### Web link

[https://products.wera.de/en/joker\\_6003\\_joker\\_ring\\_spanner\\_mouth\\_side\\_with\\_only\\_15\\_back-pivoting\\_angle\\_when\\_things\\_get\\_tight\\_6003\\_joker\\_imperial.html](https://products.wera.de/en/joker_6003_joker_ring_spanner_mouth_side_with_only_15_back-pivoting_angle_when_things_get_tight_6003_joker_imperial.html)

Wera - 6003 Joker Imperial  
05020212001 - 4013288212986

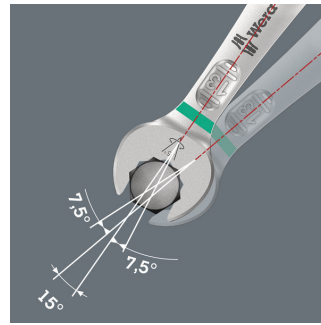
Wera Werkzeuge GmbH  
Korzter Straße 21-25  
D-42349 Wuppertal  
Tel: +49 (0)2 02 / 40 45-0  
E-Mail: info@wera.de

For very tight spaces



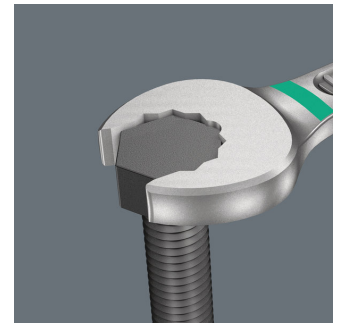
The Joker 6003 ring spanner with its special mouth geometry - a mouth side pivoted by 7.5° and the double hexagon geometry - doubles the placement possibilities when repeatedly turning the wrench 180° around the longitudinal axis. Bolts and screw heads can be "taken" every 15°. The Joker 6003 will automatically find the respective placement point after every turn.

For pivoting angles under 30°



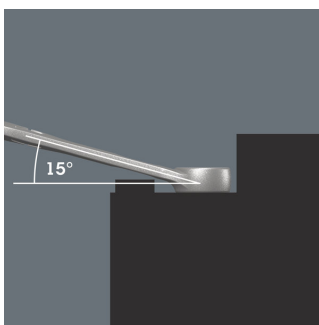
Thanks to the mouth side pivoted by 7.5°, double hexagon geometry and an adjusted application method (placement – screwdriving – turning – replacement – screwdriving – turning, etc), even screwdriving challenges allowing a pivoting angle of less than 30° can be solved.

Double-hex geometry



The double hexagon geometry on the mouth and ring sides secures the positive connection with the screw head or bolt and reduces the risk of slipping.

Angled ring side



The ring side is angled at 15° to the tool axis to prevent injury.

"Take it easy" tool finder



"Take it easy" tool finder system - with profile and size colour-coding for quick and easy tool selection. Colour-coded system for hexagon drive screws (L-Keys, Zyklus bit sockets), external hex drive screws and nuts (Joker wrenches, Zyklus sockets and Zyklus bit sockets with holding function), and TORX® drive screws (L-Keys, Zyklus bit sockets).







Web link

[https://products.wera.de/en/joker\\_6003\\_joker\\_ring\\_spanner\\_mouth\\_side\\_with\\_only\\_15\\_back-pivoting\\_angle\\_when\\_things\\_get\\_tight\\_6003\\_joker\\_imperial.html](https://products.wera.de/en/joker_6003_joker_ring_spanner_mouth_side_with_only_15_back-pivoting_angle_when_things_get_tight_6003_joker_imperial.html)

Wera - 6003 Joker Imperial  
05020212001 - 4013288212986

Wera Werkzeuge GmbH  
Korzter Straße 21-25  
D-42349 Wuppertal  
Tel: +49 (0)2 02 / 40 45-0  
E-Mail: info@wera.de

Further versions in this product family:

							
		mm	mm	mm	mm	mm	mm
05020211001	blau	5/16"	115	19	4.5	12.5	7
<b>05020212001</b>	<b>rot</b>	<b>3/8"</b>	<b>125</b>	<b>22</b>	<b>5</b>	<b>15</b>	<b>7</b>
05020213001	violett	7/16"	135	24.5	5	17	8
05020214001	tuerkis	1/2"	160	26	6	19	8.5
05020215001	pink	9/16"	167	29	6	20	8.5
05020216001	schwarz	5/8"	182	35	6.5	23	10
05020217001	cyan	11/16"	210	40	7.5	26	11.5
05020218001	gelb	3/4"	230	42	7.5	27.5	11.5

**Web link**
[https://products.wera.de/en/joker\\_6003\\_joker\\_ring\\_spanner\\_mouth\\_side\\_with\\_only\\_15\\_back-pivoting\\_angle\\_when\\_things\\_get\\_tight\\_6003\\_joker\\_imperial.html](https://products.wera.de/en/joker_6003_joker_ring_spanner_mouth_side_with_only_15_back-pivoting_angle_when_things_get_tight_6003_joker_imperial.html)

 Wera - 6003 Joker Imperial  
 05020212001 - 4013288212986

 Wera Werkzeuge GmbH  
 Korzter Straße 21-25  
 D-42349 Wuppertal  
 Tel: +49 (0)2 02 / 40 45-0  
 E-Mail: info@wera.de