

Bicycle Set 12, 12 pieces

6003 Joker combination wrench - Open-end with return angle of just 15. When things get tight.



EAN:	4013288220721	Size:	245x105x65 mm
Part number:	05004181001	Weight:	946 g
Article number:	Bicycle Set 12	Country of origin:	CZ
		Customs tariff number:	82079030

- Particularly suitable for narrow screwdriving situations on the bike
- Joker 6003 pedal size 15 with flat mouth to mount and dismount pedals
- Joker 6003 size 9 for use in switchgears (bicycle gearshift)
- The special mouth geometry expands the placement possibilities of the tool
- The low return angle in the mouth "takes" the screw every 15°
- Slim ring side with 15° crank

12-piece Joker 6003 spanner set; size 15 in an extra-slim design. As the working space is very narrow when working on your bike, tools are necessary that enable users to work successfully even in such situations. Narrow spaces require additional placement points of the tool. Can spanners be modified so that the placement possibilities of the tool increase? The combination of the 7.5° pivoted mouth and the double hexagon geometry doubles the placement points. A repeated 180° turn of the wrench around the longitudinal axis during screwdriving provides four placement possibilities, and bolts or screw heads can be engaged every 15°. The Joker 6003 with its smart mouth geometry significantly expands the range of uses in confined spaces. The Joker 6003 will automatically find the respective placement point after every turn. The slim yet robust ring side is angled by 15° to the tool axis. The high-quality surface treatment achieves a high and long-lasting corrosion protection. With tool finder Take it easy: colour coding by size. The Joker bags are suitable for attachment to walls, shelves, workshop trolleys and the Wera 2go system thanks to the hook and loop fastener system on the back.

Web link

https://products.wera.de/en/joker_6003_joker_combination_wrench_open-end_with_return_angle_of_just_15_when_things_get_tight_bicycle_set_12.html

Wera - Bicycle Set 12
05004181001 - 4013288220721

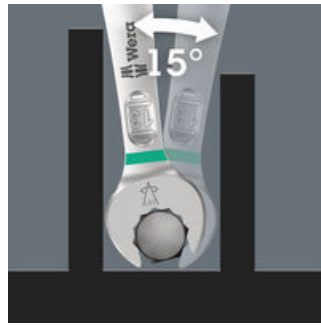
Wera Werkzeuge GmbH
Korzter Straße 21-25
D-42349 Wuppertal
Tel: +49 (0)2 02 / 40 45-0
E-Mail: info@wera.de

6003 Joker combination wrench - Open-end with return angle of just 15. When things get tight.

For very tight spaces

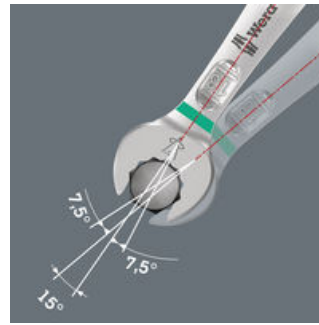


Joker 6003 size 9 for use in switchgears (bicycle gearshift)



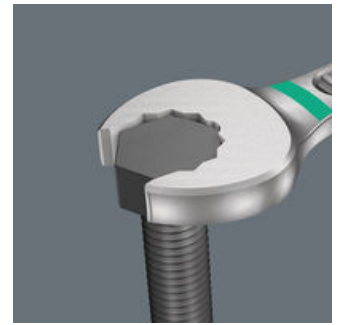
The Joker 6003 ring spanner with its special mouth geometry - mouth side pivoted by 7.5° and the double hexagon profile - doubles the placement possibilities when repeatedly turning the wrench 180° around the longitudinal axis. Bolts and screw heads can be "accessed" every 15°. The Joker 6003 will automatically find the respective placement point after every turn.

Joker 6003: For pivoting angles under 30°



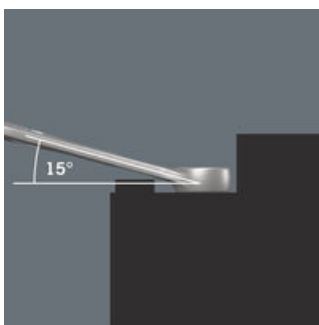
Thanks to the mouth side pivoted by 7.5°, double hexagon geometry and an adjusted application method (placement - screwdriving - turning - replacement - screwdriving - turning, etc), even screwdriving challenges allowing a pivoting angle of less than 30° can be solved.

Double-hex geometry



The double hexagon geometry on the mouth and ring sides secures the positive connection with the screw head or bolt and reduces the risk of slipping.

Joker 6003: Angled ring side



The ring side is cranked at 15° to the tool axis to prevent injury.

6003 Joker Pedal



The extra thin pedal wrench (6003 Joker 15 Pedal) is ideal for narrow installation spaces

"Take it easy" tool finder



Take it easy tool finder system - with profile and size colour-coding for quick and easy tool selection. Colour-coded system for hexagon drive screws (L-Keys, Zyklus bit sockets), external hex drive screws and nuts (Joker wrenches, Zyklus sockets and Zyklus bit sockets with holding function), and TORX® drive screws (L-Keys, Zyklus bit sockets).

Suitable for docking with the Wera 2go system



The Joker pouches are suitable for attachment to walls, shelves, workshop trolleys and the Wera 2go system thanks to the hook and loop fastener system on the back.

Web link

https://products.wera.de/en/joker_6003_joker_combination_wrench_open-end_with_return_angle_of_just_15_when_things_get_tight_bicycle_set_12.html

Wera - Bicycle Set 12
05004181001 - 4013288220721

Wera Werkzeuge GmbH
Korzter Straße 21-25
D-42349 Wuppertal
Tel: +49 (0)2 02 / 40 45-0
E-Mail: info@wera.de

Bicycle Set 12, 12 pieces

6003 Joker combination wrench - Open-end with return angle of just 15. When things get tight.

Set contents:

6003 Joker combination wrench, 6 x 105 mm



05020198001	1x	6 x 105 mm
05020199001	1x	7 x 110 mm
05020200001	1x	8 x 115 mm
05020219001	1x	9 x 120 mm
05020201001	1x	10 x 125 mm
05020202001	1x	11 x 135 mm
05020203001	1x	12 x 148 mm
05020204001	1x	13 x 160 mm
05020205001	1x	14 x 167 mm
05020207001	1x	16 x 182 mm
05020208001	1x	17 x 190 mm

6003 Joker Pedal combination wrench, 15 x 174 mm



05020221001	1x	15 x 174 mm
-------------	----	-------------

Web link

https://products.wera.de/en/joker_6003_joker_combination_wrench_open-end_with_return_angle_of_just_15_when_things_get_tight_bicycle_set_12.html

Wera - Bicycle Set 12
05004181001 - 4013288220721

Wera Werkzeuge GmbH
Korzter Straße 21-25
D-42349 Wuppertal
Tel: +49 (0)2 02 / 40 45-0
E-Mail: info@wera.de