



Chipset Cooling Kit

Universal cooling kit for entry level systems

Product Code: AK-VCX-01

[Home](#) > [Products](#) > [Cooling solutions](#) > [System Cooling](#) > [AK-VCX-01](#)

Features

[Specification](#)

[Contents](#)

[Gallery](#)

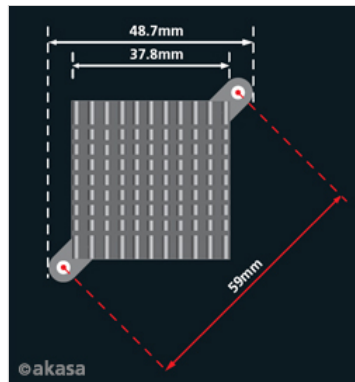
[Reviews](#)

[Support](#)

This cooling kit is designed to provide everything you need to ensure stable and efficient operation of your PC. It is a perfect replacement for failing or noisy VGA and motherboards stock coolers. It will also effectively cool motherboard chipsets not equipped with coolers as standard.

Two passive and one active cooler for VGA (up to Radeon 9200Pro, GeForce 4MX), Northbridge and Southbridge chipsets are included. A dual mounting system is supplied, pushpins or thermal adhesive tapes, you choose which is appropriate for you PC. One 1.5g Syringe of hi-grade thermal compound is included.

- Cools GPU and motherboard
- Compatible with legacy ATI & NVIDIA VGA cards
- Easy tool-free installation
- 2 passive heatsinks with thermal adhesive tape pre-applied
- 1 active heatsink with dual-mounting (pushpins or thermal tape)
- Lo-noise fan with standard 3pin motherboard connector
- Thermal compound included





Chipset Cooling Kit

Universal cooling kit for entry level systems

Product Code: AK-VCX-01

Home > Products > Cooling solutions > System Cooling > AK-VCX-01

Features

Specification

Contents

Gallery

Reviews

Support

Application

Graphics card and motherboard cooler

Designed for

Entry-level motherboards and legacy VGA cards

VGA cooler dimension

40 x 40 x 20mm

Heatsink material

Aluminium

Mounting

Pushpins or thermal adhesive tape (included)

Fan dimension

40 x 40 x 10mm

Fan speed

5000 RPM

Bearing type

Sleeve

Airflow

5.20 CFM

Noise level

23 dB(A)

Fan connector

3pin

Northbridge heatsink dimension

37 x 37 x 6mm

Heatsink material

Aluminium

Heatsink mounting

Thermal conductive adhesive tape pre-applied

Southbridge heatsink dimension

28 x 28 x 9mm

Heatsink material

Aluminium

Heatsink mounting

Thermal conductive adhesive tape pre-applied

Product code

AK-VCX-01



Talk to us for your thermal solution and modding advice