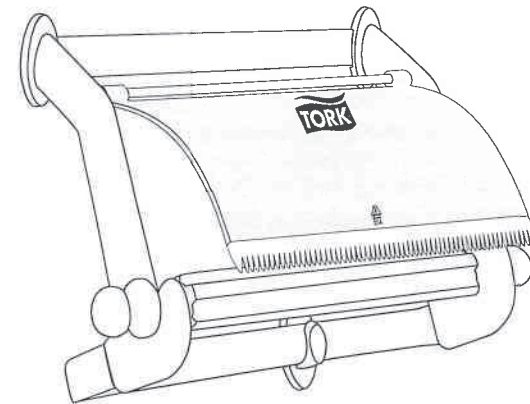


European Community Design Registration RCD 001149447

TORK® Performance

Wall Stand

Wiper / Cloth
Roll / Combi Roll
W1 System



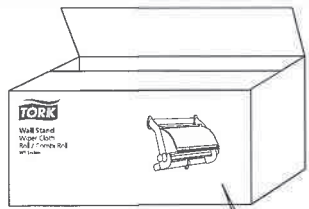
art Nr. 652100
- 08

Manufactured by SCA, SE-405 03 Göteborg, Sweden
www.sca-tork.com

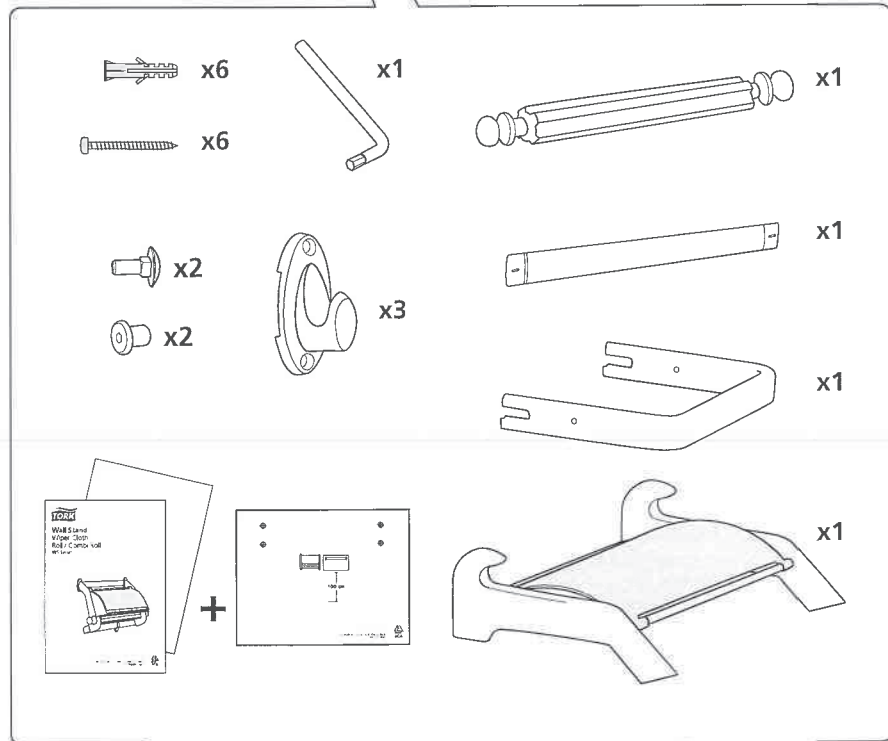
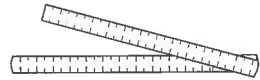
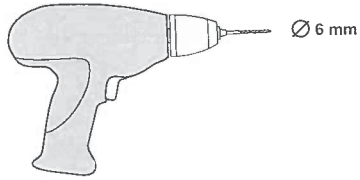


Manufactured by SCA, SE-405 03 Göteborg, Sweden
www.sca-tork.com

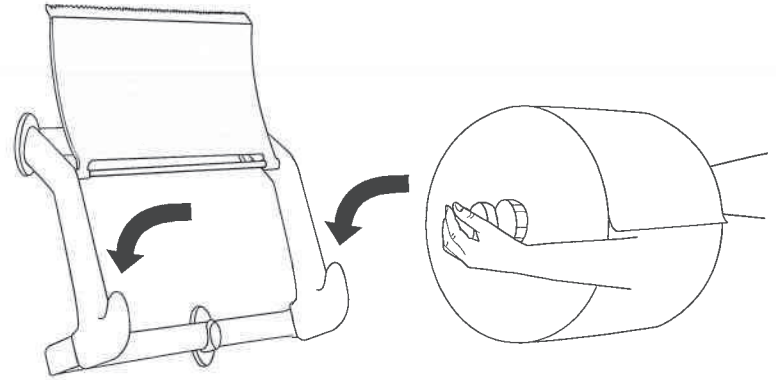




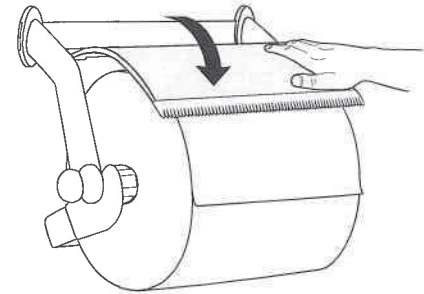
+



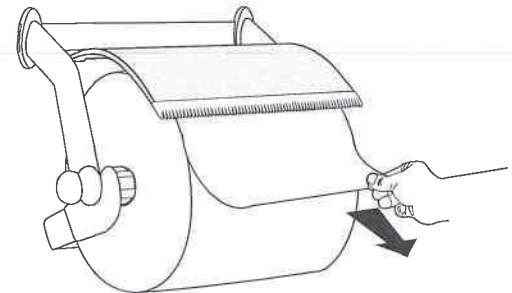
3.

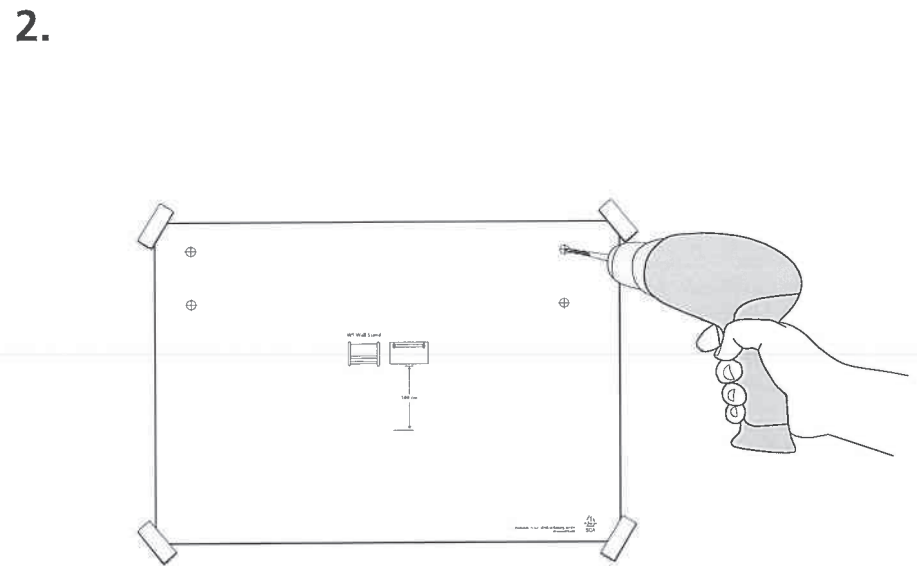
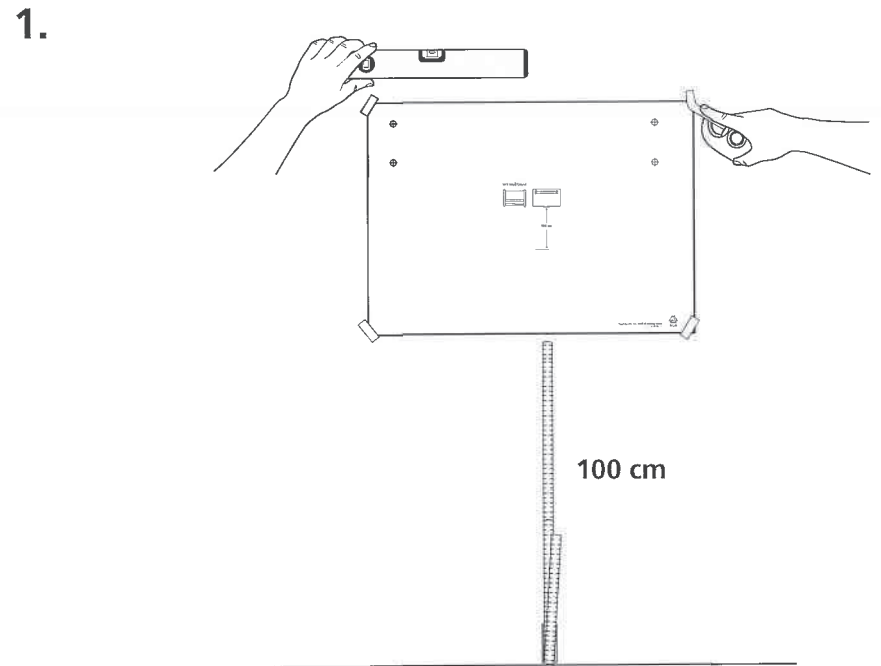
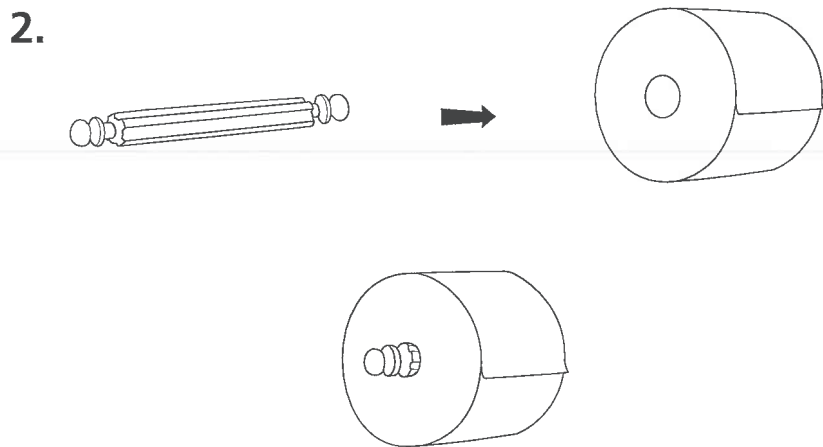
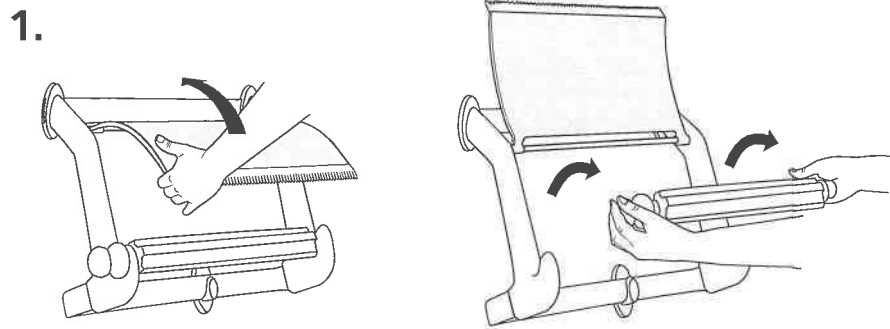
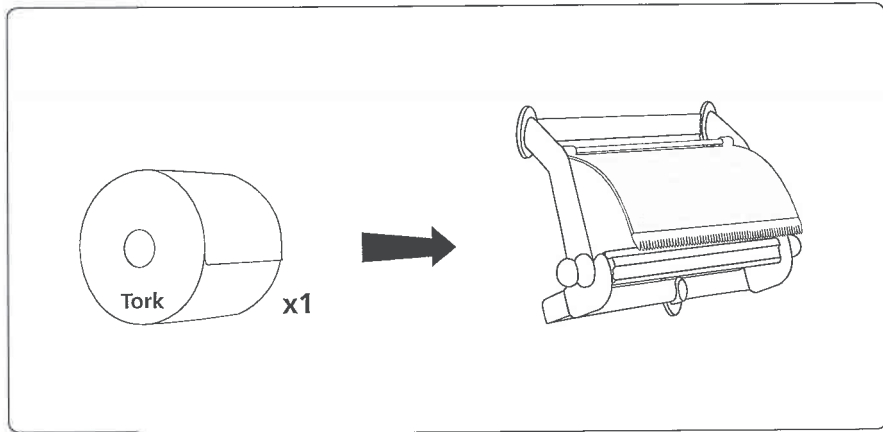


4.

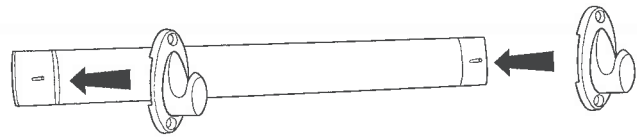


5.





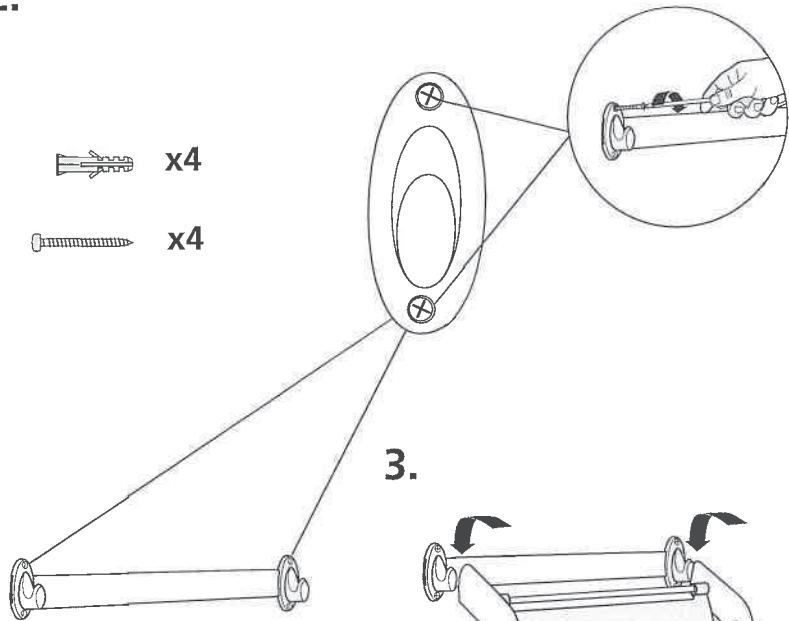
1.



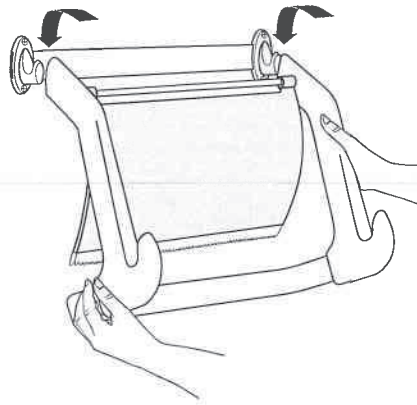
2.

 x4

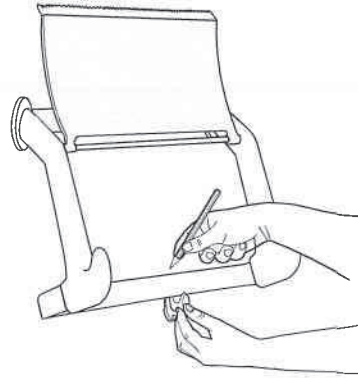
 x4



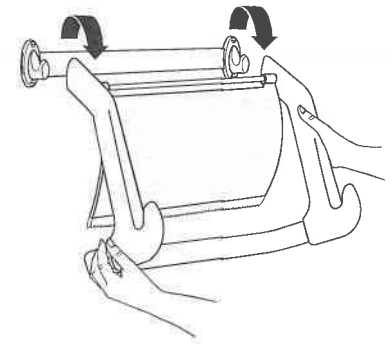
3.



4.



5.



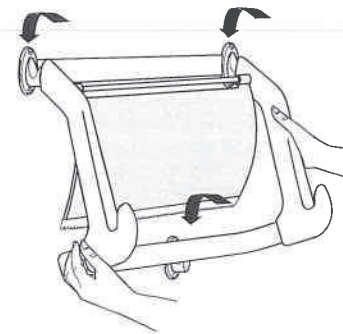
6.



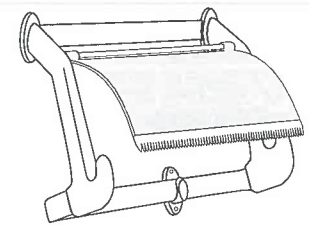
7.



8.

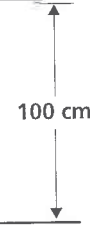
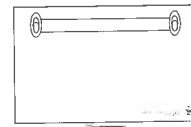
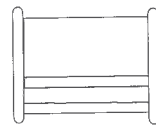


9.





W1 Wall Stand



100 cm