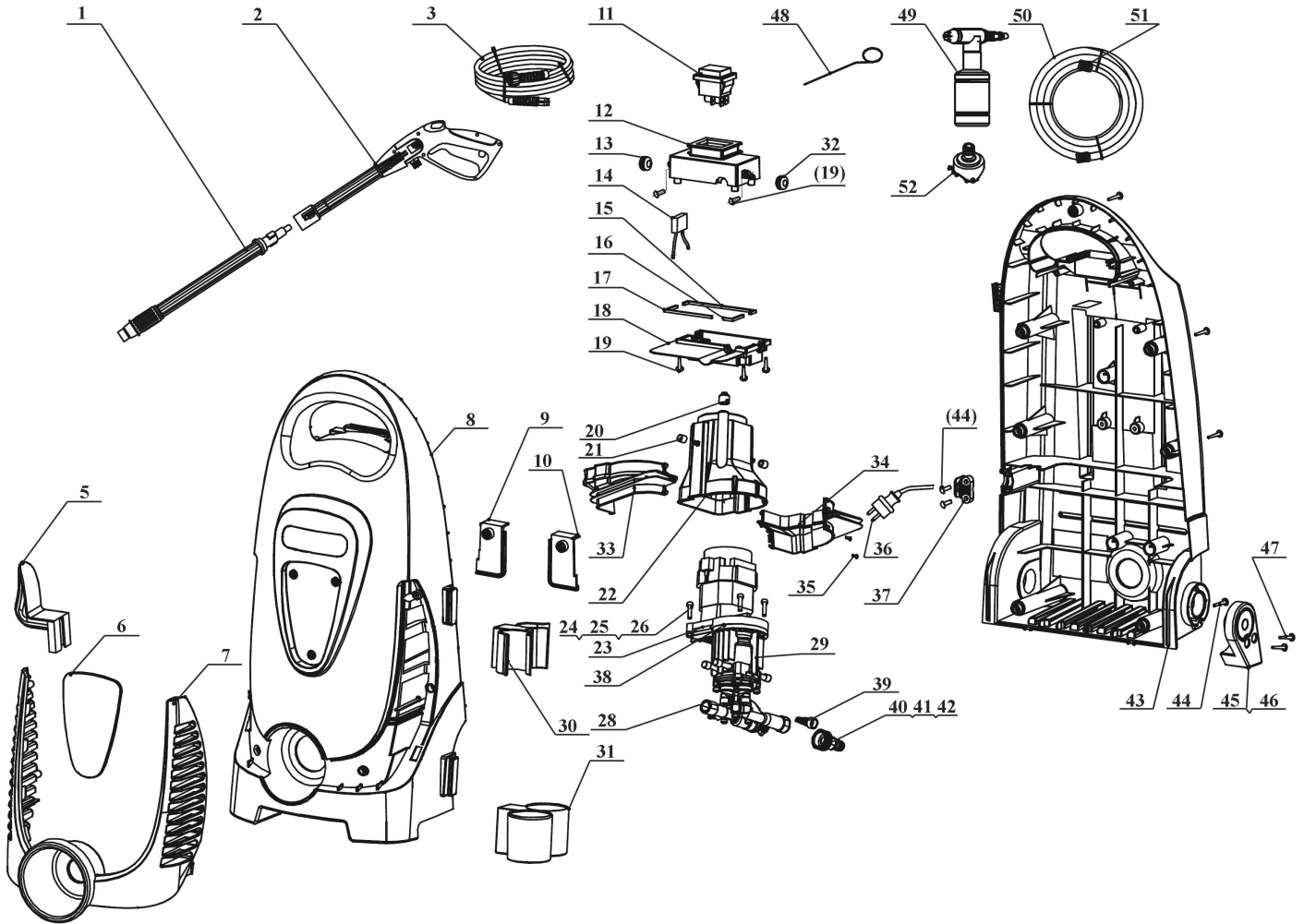




Parts Information:
Pressure Washer 110bar with TSS &
Rotablast Nozzle 230V with Accessory Kit
Model No: PW1600



NOTE: It is our policy to continually improve products and as such we reserve the right to alter data, specifications and component parts without prior notice.

IMPORTANT: No liability is accepted for incorrect use of product.

WARRANTY: Guarantee is 12 months from purchase date, proof of which will be required for any claim.

Sealey Group, Kempson Way, Suffolk Business Park, Bury St Edmunds, Suffolk. IP32 7AR



01284 757500



01284 703534



sales@sealey.co.uk



www.sealey.co.uk



Parts Information:
**Pressure Washer 110bar with TSS &
 Rotablast Nozzle 230V with Accessory Kit
 Model No: PW1600**

Item	Part No.	Description
1	PW1600.01	LANCE FOR GUN
2	PW2000.59	PRESSURE GUN
3	PW2000.60	HOSE
5	PW1600.05	SIDE HOOK
6	PW1600.06	FRONT LABEL
7	PW1600.07	FRONT COVER SIDE
8	PW1600.08	FRONT COVER
9	PW1600.09	LEFT GUIDE PLATE
10	PW1600.10	RIGHT GUIDE PLATE
11	PW1600.11	MAIN SWITCH
12	PW1600.12	CONNECTION BOX COVER
13	PW1600.13	SEALING RING
14	PW1600.14	CAPACITOR
15	PW1600.17	CONNECTION BOX SEAL (C)
16	PW1600.17	CONNECTION BOX SEAL (C)
17	PW1600.17	CONNECTION BOX SEAL (C)
18	PW1600.18	CONNECTION BOX, BOTTOM
19	PW2000.05	SCREW
20	PW2000.52	CABLE GLAND
21	PW1600.21	CUSHION
22	PW1600.22N	MOTOR COVER
23	PW1600.23	MOTOR ASS'Y
24	SCB625.S	SOCKET CAP BOLT ZINC M6X25
25	PW1600.25	WASHER
26	PW1600.26	SWITCH COVER
27	PW1600.27	SEALING RING
28	PW1750.19	OUTLET COVER

Item	Part No.	Description
29	PW1600.29	PUMP ASS'Y
30	PW1600.30	BRACKET FOR GUN (UPPER)
31	PW1600.31	BRACKET FOR GUN (LOWER)
32	PW1600.32	MICROSWITCH SEALING RING
33	PW1600.33	DEFLECTOR PLATE (UPPER)
34	PW1600.34	DEFLECTOR PLATE (LOWER)
35	PW1750.05	SELF-TAPPING SCREW
36	PW1600.36	POWER CORD
37	PW2000.39	CABLE GRIP
38	PW1600.38	MOTOR SUPPORT RING
39	PW2000.25	WATER INPUT FILTER
40	PW2000.27	WATER INLET QUICK CONNECTOR
41	PW2000.27	WATER INLET QUICK CONNECTOR
42	PW2000.P13	O-RING (10x2.65)
43	PW1600.43	BACK COVER
44	PW1750.05	SELF-TAPPING SCREW
45	PW1600.45	SUPPORT FRAME (RIGHT)
46	PW1600.46	SUPPORT FRAME (LEFT)
47	PW1600.47	SELF-TAPPING SCREW
48	PW2000.57	NEEDLE PROBE
49	PW1600.49	DETERGENT BOTTLE
50	PW2000.62	WATER INPUT HOSE
51	PW2000.63	QUICK CONNECTOR
52	PW2000.64	QUICK CONNECTOR (FITS ONTO TAP)
--	PW1600.53	WHEEL & CAP (NOT SHOWN)
--	PW1600.53A	WHEEL CAP (NOT SHOWN)
--	PCAK10	PATIO/DECK SURFACE CLEANER 300mm (NOT SHOWN)

NOTE: It is our policy to continually improve products and as such we reserve the right to alter data, specifications and component parts without prior notice.

IMPORTANT: No liability is accepted for incorrect use of product.

WARRANTY: Guarantee is 12 months from purchase date, proof of which will be required for any claim.

Sealey Group, Kempson Way, Suffolk Business Park, Bury St Edmunds, Suffolk. IP32 7AR



01284 757500



01284 703534

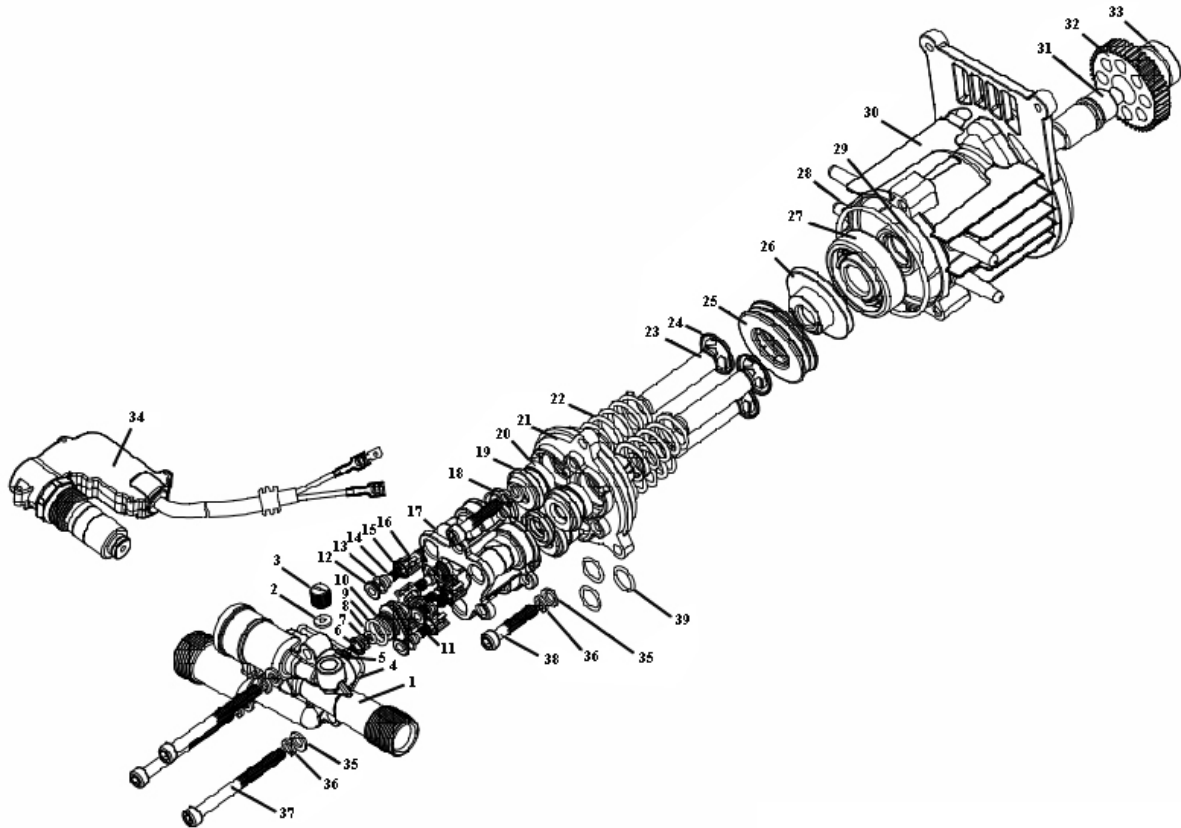


sales@sealey.co.uk



www.sealey.co.uk

Parts Information: Pressure Washer 110bar with TSS & Rotablast Nozzle 230V with Accessory Kit Model No: PW1600



Item	Part No.	Description
01	PW1600.P01	PUMP COVER
02	PW1750.P21	SEAL, CONNECION HEAD
03	PW2000.P28	CONNECTION HEAD
04	PW1600.P04	SEAL
05	PW2000.P21	BASE SPRING, ONE-WAY VALVE
06	PW1750.P15	SPRING, ONE-WAY VALVE
07	PW1750.P14	PIN, ONE-WAY VALVE
08	PW1600.P08	O-RING (3.15x2.05)
09	PW1600.P09	O-RING (11.5x1.8)
10	PW1600.P10	BASE, ONE-WAY VALVE
11	PW1600.P11	O-RING (15x1.8)
12	PW1600.P12	BASE, ONE-WAY VALVE
13	PW1600.P13	O-RING (8x1)
14	PW1600.P14	PIN, ONE-WAY VALVE
15	PW1600.P15	SPRING, ONE-WAY VALVE
16	PW1600.P16	FRAME, ONE-WAY VALVE
17	PW1600.P17	PUMP BODY
18	PW1750.P02	WATER SEAL
19	PW1600.P19	SUPPORT, PLUNGER
20	PW1750.P34	OIL BLOCK, PLUNGER
21	PW1600.P21	BASE, PUMP BODY

Item	Part No.	Description
22	PW1600.P22	SPRING, PLUNGER
23	PW1600.P23	PLUNGER
24	PW1600.P24	SPRING BASE, PLUNGER
25	B/51205	BEARING RACE 51205
26	PW1600.P25	BEARING RACE 51202
27	B/51202	WOBBLE PLATE
28	B/6303	BEARING 6306
29	PW1600.P27	O-RING (61x2.3)
28	PW1600.P28	OIL BLOCK, SHAFT
29	PW1600.P29	CRANKCASE
30	PW1600.P30	GEAR SHAFT
31	PW1600.P31	GEAR (50T)
32	B/629ZZ	BEARING 629ZZ
33	PW1750.P30	TSS ASS'Y
34	PW1600.P34	TSS ASS'Y
35	FWM6.S	FLAT WASHER M6 SINGLE
36	PW1600.P36	SPRING WASHER M6 BLACK(SINGLE)
37	SWM6.SB	HEX BOLT (M6x65)
38	SCB635.S	SOCKET HEAD CAP SCREW M6x35
39	PW1600.P39	O-RING (19.3x1.5)

NOTE: It is our policy to continually improve products and as such we reserve the right to alter data, specifications and component parts without prior notice.

IMPORTANT: No liability is accepted for incorrect use of product.

WARRANTY: Guarantee is 12 months from purchase date, proof of which will be required for any claim.