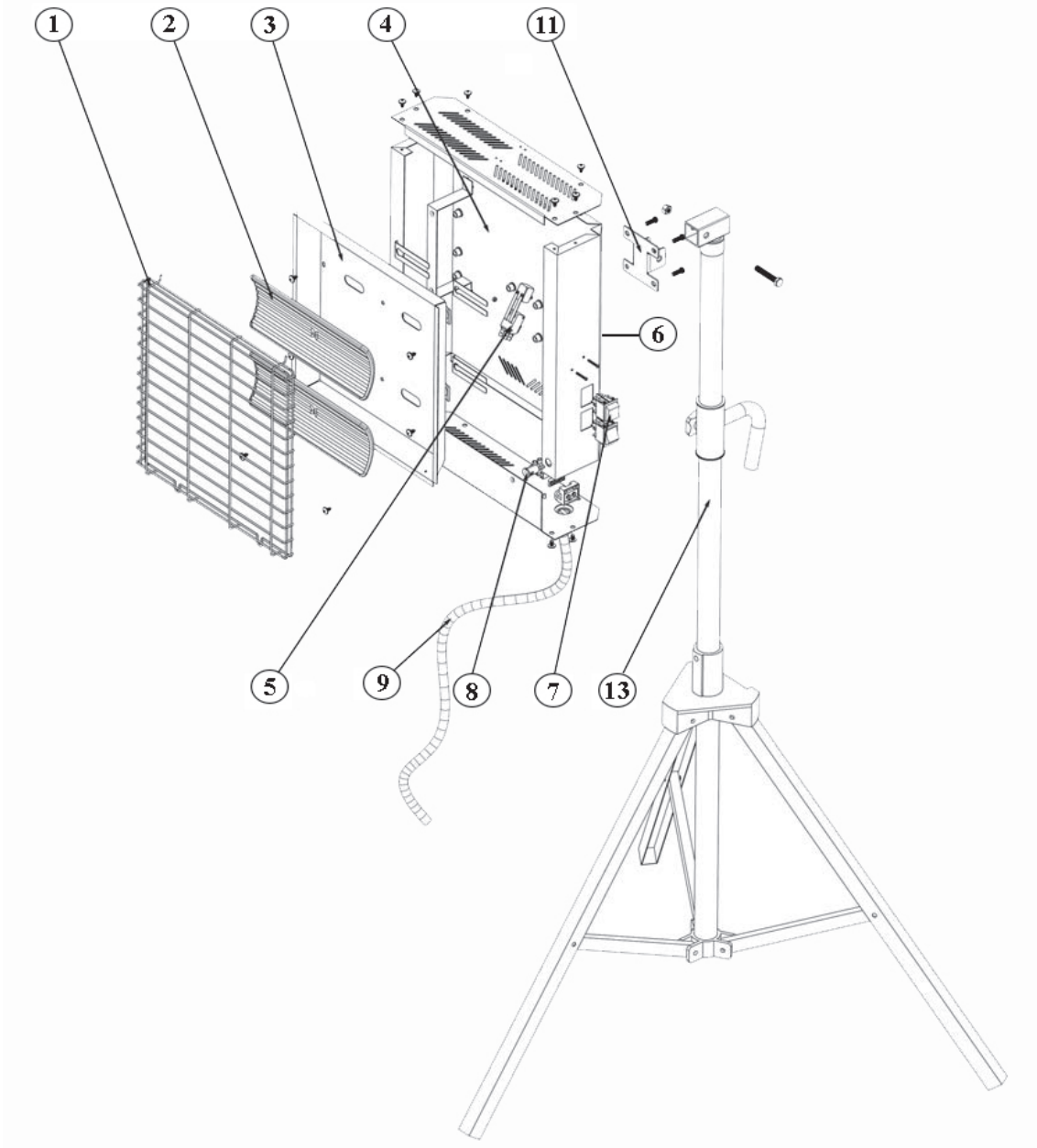




Parts Information:
**Ceramic Heater with Telescopic Tripod
 Stand 1.4/2.8kW 110V
 Model No: CH28110VS**



| Item | Part No. | Description |
|------|--------------|------------------------|
| 1 | CH28110VS.01 | METAL FRONT GRILLE |
| 2 | CH28110VS.02 | HEATING ELEMENT 110V |
| 3 | CH28110VS.03 | REFLECTOR |
| 4 | CH28110VS.04 | HOUSING |
| 5 | CH28110VS.05 | TILT SWITCH |
| 6 | CH28110V.06 | FRAME |
| 7 | CH28110VS.07 | MAIN SWITCH 15A 250VAC |

| Item | Part No. | Description |
|------|--------------|--|
| 8 | CH28110VS.08 | INDICATOR LAMP |
| 9 | MC3CX1.5R | MAINS CABLE BLK, 3 CORE (RUBBER) 1.5MM2 |
| 11 | CH28110VS.11 | FIXED BRACKET |
| -- | CH28110VS.12 | UPRIGHT SHAFT (c/w FIXED BRACKET) (not shown) |
| 13 | CH28110VS.13 | TRIPOD |

NOTE: It is our policy to continually improve products and as such we reserve the right to alter data, specifications and component parts without prior notice.

IMPORTANT: No liability is accepted for incorrect use of product.

WARRANTY: Guarantee is 12 months from purchase date, proof of which will be required for any claim.

Sealey Group, Kempson Way, Suffolk Business Park, Bury St Edmunds, Suffolk. IP32 7AR



01284 757500



01284 703534



sales@sealey.co.uk



www.sealey.co.uk