



INSTRUCTIONS FOR
PROFESSIONAL PRESSURE WASHER
MODEL NO: **PW3500**

Thank you for purchasing a Sealey product. Manufactured to a high standard, this product will, if used according to these instructions, and properly maintained, give you years of trouble free performance.

IMPORTANT: PLEASE READ THESE INSTRUCTIONS CAREFULLY. NOTE THE SAFE OPERATIONAL REQUIREMENTS, WARNINGS & CAUTIONS. USE THE PRODUCT CORRECTLY AND WITH CARE FOR THE PURPOSE FOR WHICH IT IS INTENDED. FAILURE TO DO SO MAY CAUSE DAMAGE AND/OR PERSONAL INJURY AND WILL INVALIDATE THE WARRANTY. KEEP THESE INSTRUCTIONS SAFE FOR FUTURE USE.



Refer to instruction manual



Wear protective gloves



Wear eye protection



Wear ear protection



Wear protective clothing

1. SAFETY

1.1. ELECTRICAL SAFETY

- WARNING!** It is the user's responsibility to check the following:

Check all electrical equipment and appliances to ensure that they are safe before using. Inspect power supply leads, plugs and all electrical connections for wear and damage. Sealey recommend that an RCD (Residual Current Device) is used with all electrical products. You may obtain an RCD by contacting your local Sealey stockist.

If the product is used in the course of business duties, it must be maintained in a safe condition and routinely PAT (Portable Appliance Test) tested.

Electrical safety information: it is important that the following information is read and understood.

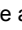
- 1.1.1. Ensure that the insulation on all cables and on the appliance is safe before connecting it to the power supply.
- 1.1.2. Regularly inspect power supply cables and plugs for wear or damage and check all connections to ensure that they are secure.
- 1.1.3. **Important:** Ensure that the voltage rating on the appliance suits the power supply to be used and that the plug is fitted with the correct fuse - see fuse rating in these instructions.
 - * **DO NOT** pull or carry the appliance by the power cable.
 - * **DO NOT** pull the plug from the socket by the cable.
 - * **DO NOT** use worn or damaged cables, plugs or connectors. Ensure that any faulty item is repaired or replaced immediately by a qualified electrician.
- 1.1.4. This product is fitted with a BS1363/A 13 Amp 3 pin plug.

If the cable or plug is damaged during use, switch the electricity supply and remove from use. Ensure that repairs are carried out by a qualified electrician.

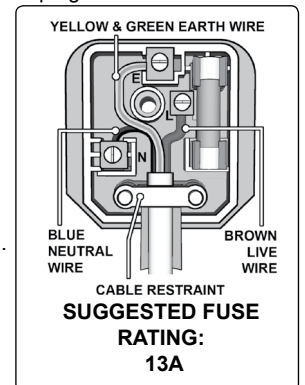
Replace a damaged plug with a BS1363/A 13 Amp 3 pin plug. If in doubt contact a qualified electrician.

A) Connect the GREEN/YELLOW earth wire to the earth terminal 'E'.
B) Connect the BROWN live wire to the live terminal 'L'.
C) Connect the BLUE neutral wire to the neutral terminal 'N'.

Ensure that the cable outer sheath extends inside the cable restraint and that the restraint is tight. Sealey recommend that repairs are carried out by a qualified electrician.

Double insulated products, which are always marked with this symbol  are fitted with live (brown) and neutral (blue) wires only. To rewire, connect the wires as indicated above - **DO NOT** connect either wire to the earth terminal.

Products which require more than 13 amps are supplied without a plug. In this case you **MUST** contact a qualified electrician to ensure that a suitable supply is available. We recommend fitting a 16A plug and connecting to a 20A supply protected by a type C circuit breaker. If in any doubt take the advice of a qualified electrician.
- 1.1.5. If an extension reel is used it should be fully unwound before connection. A reel with an RCD fitted is preferred since any appliance plugged into it will be protected. The cable core section is important and should be at least 1.5mm², but to be absolutely sure that the capacity of the reel is suitable for this product and for others which may be used in the other output sockets, we recommend the use of 2.5mm² section cable. A waterproof plug and socket should be fitted.



1.2. GENERAL SAFETY

- WARNING!** Water and electricity are dangerous partners. Be extremely cautious and always be aware that this device uses an electric motor. Always plug into a RCD (See electrical safety above). Unplug from mains before changing accessories or servicing.
- WARNING! DO NOT** use the washer if any part of the unit, gun, nozzle, detergent tank, hose or cables is damaged. Replace or repair using genuine parts only. Unauthorised parts may be dangerous and will invalidate your warranty. Always check connections are correctly secured and not cracked or damaged in any way before using the machine.
- WARNING!** Use washer on a flat, level surface, in an upright position. Failure to do so will invalidate your warranty. **NEVER** lay the washer down during use.
- ✓ Ensure you comply with all local water supply regulations. Power washers may only be connected to mains water supply if a check valve is installed in the supply hose, or at the tap outlet.
- ✓ The supply hose must be reinforced, and have an internal diameter of 1/2" (13mm). The water supply must be at least equal to the cleaner capacity. The water temperature must **NOT** exceed 122°F (60°C). The water supply pressure must **NOT** exceed 6 bar (90psi).
- ✓ Always be aware of the hazards that may occur during use. Study all applications and limitations of the washer before use.
- ✓ Use where air can freely circulate around the washer to avoid the machine overheating.
- ✓ Keep the washer in good condition. Use an authorised service agent to service the unit.
- ✓ Wear adequate protective clothing, goggles and anti-slip rubber soled footwear.
- ✓ Position the washer as near to the water supply as possible.

- WARNING!** Ensure all persons and animals keep at a minimum distance of 15mtr from the washer when in use.
 - WARNING!** The pressure washer must only be used with clean water. Unfiltered water or corrosive chemicals must not be used as these will damage the cleaner.
 - ✓ Ensure the nozzle is aimed correctly at the work surface before switching the machine on.
 - ✓ Before activating the trigger, grip the gun firmly to counteract the recoil from the high pressure water jet.
 - WARNING!** Avoid sudden bursts of water as these will cause water pressure to drop and put extreme pressure on hoses and connectors.
 - ✓ If, during operation, power failure occurs turn the electricity and water off for safety reasons.
 - WARNING!** The high pressure jet will cause loose particles to be propelled at high speed, which may cause serious injury.
 - WARNING! DO NOT** operate the machine without a water supply. Dry running can damage the unit seriously.
 - WARNING! DO NOT** leave the washer switched on for more than 15 minutes without operating the trigger.
 - ✗ **DO NOT** obstruct ventilation grilles during operation.
 - ✗ **DO NOT** use the washer with flammable or toxic liquids or any other product. Use only recommended detergent. Unapproved detergents may corrode the machine cover and accessories.
 - ✗ **DO NOT** jam the trigger in the operating position.
 - ✗ **DO NOT** adjust any internal control valves, as they have been factory set.
 - ✗ **DO NOT** connect other appliances to the machine inlet or outlet.
 - ✗ **DO NOT** use hoses and fittings other than those designed for use with this machine.
 - ✗ **DO NOT** move the unit by pulling the hoses or electrical cables. Use the handle and transport by means of the wheels.
 - ✗ **DO NOT** touch plug with wet hands. To avoid the risk of electrocution keep all connections dry and off the ground.
 - ✗ **DO NOT** direct jet against yourself, other persons, animals, electrical equipment or the machine itself.
 - ✗ **DO NOT** use washer if you are tired or under the influence of alcohol, drugs or intoxicating medication.
 - ✗ **DO NOT** allow children or untrained persons to operate the washer.
 - WARNING!** Discharge residual pressure before disconnecting the washer hose. Pressure left in unit may cause injury.
 - ✓ After use, disconnect washer from electrical mains and water supply and store in a safe, dry, childproof area.
 - ✓ Protect from freezing conditions during winter.
- NOTE:** This appliance is not intended for use by persons (including children) with reduced physical, sensory or mental capabilities or lack of experience and knowledge, unless they have been given supervision or instruction concerning the use of the appliance by a person responsible for their safety. Children should be supervised to ensure that they **DO NOT** play with the appliance.

2. INTRODUCTION

High performance, professional unit specifically designed for rigorous domestic, industrial and agricultural use. Ideal for an extremely wide range of applications including cars, 4x4s, tractors, motorbikes, ATVs, patios and decking. Fitted with a 2100W induction motor with a 7ltr/min water flow rate and a maximum pressure of 140bar. Features Automatic Total Stop System (TSS) which switches the motor on and off when the lance trigger is operated, prolonging the motor life. Features innovative accessory storage on back of unit and 8mtr high pressure hose reel ensuring the unit stays clutter free and fully mobile. Fitted with brass fittings, aluminium head, integral pressure gauge and water filter system. Supplied with 1.2ltr built-in adjustable detergent tank, variable nozzle and Rotablast nozzle which helps develop the same effective cleaning power (ECP) as a 240bar/3485psi pressure washer.

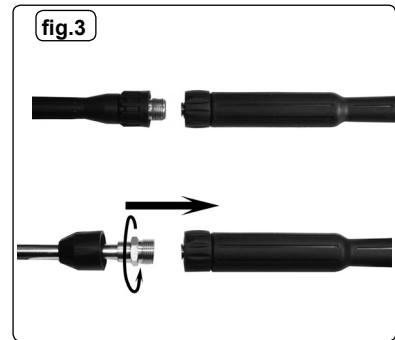
3. SPECIFICATION

Model No:	PW3500
Maximum Pressure:	14MPa/140bar/2050psi
Effective Cleaning Power:	240bar/3485psi
Working Pressure:	12MPa/120bar/1750psi
Water Flow:	7ltr/min
Motor Power:	2100W
Supply:	230V/50-60Hz
Maximum Input Temperature:	50°C
Maximum Input Pressure:	1MPa
Gun Reaction at Maximum Pressure:	18.1N
Motor Insulation:	Class F
Motor Protection:	IPX5
Sound Pressure (EN 60704-1):	84.5dB(A)
Sound Power EN 60704-1)	92dB(A)
Uncertainty:3dB(A)
Vibration (uncertainty: 1.5m/s ²)	3.74m/s ²
Total Stop System:	Yes
Rotablast System:	Yes
Hose Length:	8mtr
Weight:	18.8kg



4. ASSEMBLY

- 4.1. Connecting the water supply.**
- 4.1.1. Use a reinforced hose pipe with an internal diameter of 1/2"(13mm) and connect to the mains water supply. Before attaching the hose to the pressure washer flush the hose through with some clean water to remove any foreign matter from within the hose.
- 4.1.2. Connect female quick connection hose fitting to the clear inlet filter on the front of the machine (fig.1). Push the nozzle into the gun as shown in fig.2 (1 and 2) and screw the threaded male lance connector into the gun, ensuring that the connection is tight.
- 4.2. Connecting to mains electrical supply.**
- WARNING!** Ensure the On/Off switch (fig.4.1) is in the 'Off' position. Use an RCD plugged into a 13A mains socket (PW3500 only), **DO NOT** turn the power on. **DO NOT** touch the plug with wet hands.



5. OPERATION

- WARNING! Ensure you read, understand and apply Section 1 safety instructions.**
- WARNING! Dry running can seriously damage the unit.**
- WARNING! Use washer on a flat, level surface, in an upright position.**

Failure to do so will invalidate your warranty. Never lay the washer down during use.

IMPORTANT! The washer motor will stop as soon as the gun trigger is released and will restart when the trigger is squeezed. Always allow at least 5 seconds between releasing the trigger and restarting.

5.1. Primary checks.

5.1.1. Check that the inlet filter is fitted and is clean as per fig.1; pump delivery and pressure will be reduced if blocked. Ensure that the water supply, high pressure hose and gun are correctly connected, and that air can circulate around the washer freely.

5.2. Operation of safety catch.

5.2.1. To prevent inadvertent operation of the unit the safety catch should always be engaged when the gun is not in use. Open the safety catch as in fig.2.3 to lock the trigger against the guard.

5.3. Bleeding the gun.

5.3.1. It is very important to bleed the gun before using the pressure washer. Squeeze the trigger BEFORE turning the electrical supply on. This allows any air trapped inside the pressure washer and gun to be removed before using the unit. Continue holding the trigger for approximately one minute to allow any excess air out of the unit.

5.3.2. Water will flow through the gun at low pressure during this procedure.

5.4. Changing lances.

5.4.1. To change the Rotablast lance for the fan jet lance, unscrew the lance from the gun as in fig.3. and replace with other lance. Ensure the lance is tight in the gun.

5.4.2. The spray pattern of the fan jet lance can be varied by rotating the spray head (see fig.7).

5.4.3. **WARNING!** The pencil jet is extremely aggressive and must be used with great care. The use of a fan nozzle is recommended for general cleaning.

5.5. Operating the machine.

5.5.1. Hold the spray gun firmly to counteract the recoil caused by the high pressure of the water.

5.5.2. Before switching on ensure that the lance is not directed at people, objects or animals prior to being directed at the object to be cleaned.

5.5.3. It is recommended that the trigger is depressed before switching the unit on before every use. This reduces the back pressure and amperage draw which prevents fuses blowing.

5.5.4. Switch the machine on by turning the switch to the 'On' position (fig.4.1). Release the handle safety catch (fig 2.3). Point the lance at the object to be cleaned and depress the trigger fully.

When the trigger is released the motor will switch off automatically.

5.5.5. The delivery pressure is shown by the pressure gauge (fig.4.3).

Note: The pressure of the spray on the surface you are cleaning increases as you move the nozzle closer to the surface.

5.6. Using detergent.

5.6.1. Use only detergents approved for use in pressure washers.

5.6.2. To add detergent, remove the cap and fill reservoir (fig.5).

5.6.3. To switch to detergent mode, simply push the variable nozzle forwards to activate the low pressure setting. Pull the nozzle backwards to resume normal washing see fig.6.

5.6.4. Dirt is dissolved by applying detergent to the dry surface. On vertical surfaces, work from the bottom upwards. Leave the detergent to act for 1-2 minutes, but **DO NOT** allow the surface to dry out.

5.6.5. To wash down select the variable spray jet nozzle set on the wide fan setting, see fig.7.

5.6.6. After using the detergent system, flush through with clean water.

NOTE: Failure to clean properly will cause the injection system to become clogged and inoperable.

- WARNING: DO NOT** leave motor switched on for more than 15 minutes without operating trigger.

If the water pressure drops (e.g. someone else using the same water supply), the washer will not operate correctly. Switch the motor off immediately and wait until the pressure is restored.

5.7. When washing is completed.

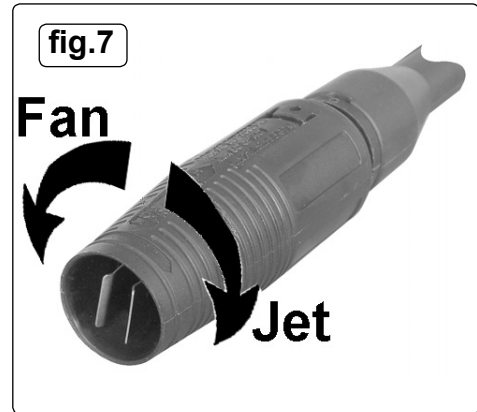
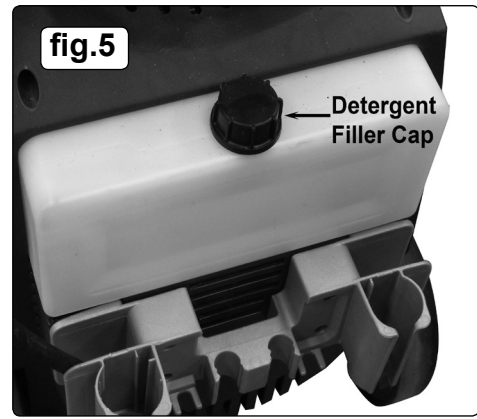
5.7.1. Turn off the water supply tap.

5.7.2. Discharge residual pressure by pressing the trigger until no more water comes out of the nozzle.

- WARNING!** Failure to discharge pressure could result in personal injury.

5.7.3. Disconnect the inlet hose and coil the outlet hose back onto the reel.

5.7.4. Wipe the machine clean and dry and store in a clean, safe, dry, childproof location.



6. TROUBLESHOOTING

SYMPTOMS	REASON	REMEDY
Motor will not start.	<ol style="list-style-type: none"> 1. Loose or disconnected plug. 2. Blown fuse. 	<ol style="list-style-type: none"> 1. Reconnect plug. 2. See below
Circuit breaker trips or fuse blown.	<ol style="list-style-type: none"> 1. Circuit Overload. 2. Extension cord too long or wire size too small. 3. Nozzle partially blocked, causing excessive pressure. 	<ol style="list-style-type: none"> 1. Check that the circuit is rated 13amps or greater. Disconnect all loads on the circuit. 2. Use proper extension cord as recommended in section 1. 3. Clean nozzle as described in maintenance section.
Water or oil leaking from bottom of pump.	<ol style="list-style-type: none"> 1. A small amount of leakage is normal. 	<ol style="list-style-type: none"> 1. If excessive leaking occurs contact authorised service agent.
Trigger will not move.	<ol style="list-style-type: none"> 1. Gun safety lock engaged. 	<ol style="list-style-type: none"> 1. Release safety lock.
Unit will not stop when trigger is released.	<ol style="list-style-type: none"> 1. Trigger system not operating properly. 	<ol style="list-style-type: none"> 1. Contact authorised service agent.
Motor running but pump not building maximum pressure or has irregular pressure.	<ol style="list-style-type: none"> 1. Water supply not turned on. 2. Unit has been stored in freezing temperatures. 3. Water inlet filter clogged. 4. Kink in supply hose. 5. Nozzle worn out. 6. Air in pump. 7. Suction or discharge valves clogged or worn out. 	<ol style="list-style-type: none"> 1. Turn on water supply. 2. Thaw out unit completely including hose, gun and attachments. 3. Clean screen as described in maintenance section. 4. Straighten hose. 5. Replace nozzle. 6. Let pressure washer run with gun open and lance removed until a steady stream of water is released. 7. Contact authorised service agent.

7. MAINTENANCE

- ❑ **WARNING!** Ensure the pressure washer is switched off and unplugged from the mains electrical power supply and turned off at the mains water tap before performing any maintenance tasks.
- 7.1. Check, clean or renew the inlet filter (which is fitted inside the inlet connector,) after every 50 hours of use. Use only genuine Sealey spares for this machine. Failure to do so could result in personal injury and will invalidate the warranty.
- 7.2. **Nozzles.**
 - 7.2.1. Ensure that nozzles are kept clean and free of debris. Clear the nozzle of any debris.
 - 7.2.2. Flush the nozzle with water.
 - 7.2.3. Reconnect the nozzle to the lance. Ensure that the nozzle connection is tight.
- 7.3. **Water Filter.**
 - 7.3.1. The pressure washer is equipped with a water inlet filter to protect the pump.

- 7.3.2. Backflush the filter to clean.
- 7.3.3. Replace filter and quick connection immediately to prevent any ingress of foreign matter into the pump.
- 7.4. Cooling System.**
- 7.4.1. The air vent at the rear of the motor, must be kept clean and free of any obstructions to ensure proper air cooling during operation.
 - **WARNING!** Prevent water from penetrating the vent to minimise the risk of damage to the machine and to reduce the risk of shock to the operator.
- 7.5. General.**
- 7.5.1. Check unit, gun, nozzle, hose, connections and cables for damage. Immediately replace or repair with genuine parts.
- 7.6. Storage.**
- 7.6.1. Store in a location where the washer will not be subject to freezing conditions.
- 7.6.2. Make sure that the pressure washer has been drained of water and remove the hoses.



WEEE REGULATIONS

Dispose of this product at the end of its working life in compliance with the EU Directive on Waste Electrical and Electronic Equipment (WEEE). When the product is no longer required, it must be disposed of in an environmentally protective way. Contact your local solid waste authority for recycling information.



ENVIRONMENT PROTECTION

Recycle unwanted materials instead of disposing of them as waste. All tools, accessories and packaging should be sorted, taken to a recycling centre and disposed of in a manner which is compatible with the environment. When the product becomes completely unserviceable and requires disposal, drain any fluids (if applicable) into approved containers and dispose of the product and fluids according to local regulations.

Note: It is our policy to continually improve products and as such we reserve the right to alter data, specifications and component parts without prior notice.

Important: No Liability is accepted for incorrect use of this product.

Warranty: Guarantee is 12 months from purchase date, proof of which is required for any claim.

Sealey Group, Kempson Way, Suffolk Business Park, Bury St Edmunds, Suffolk. IP32 7AR



01284 757500



01284 703534



sales@sealey.co.uk



www.sealey.co.uk