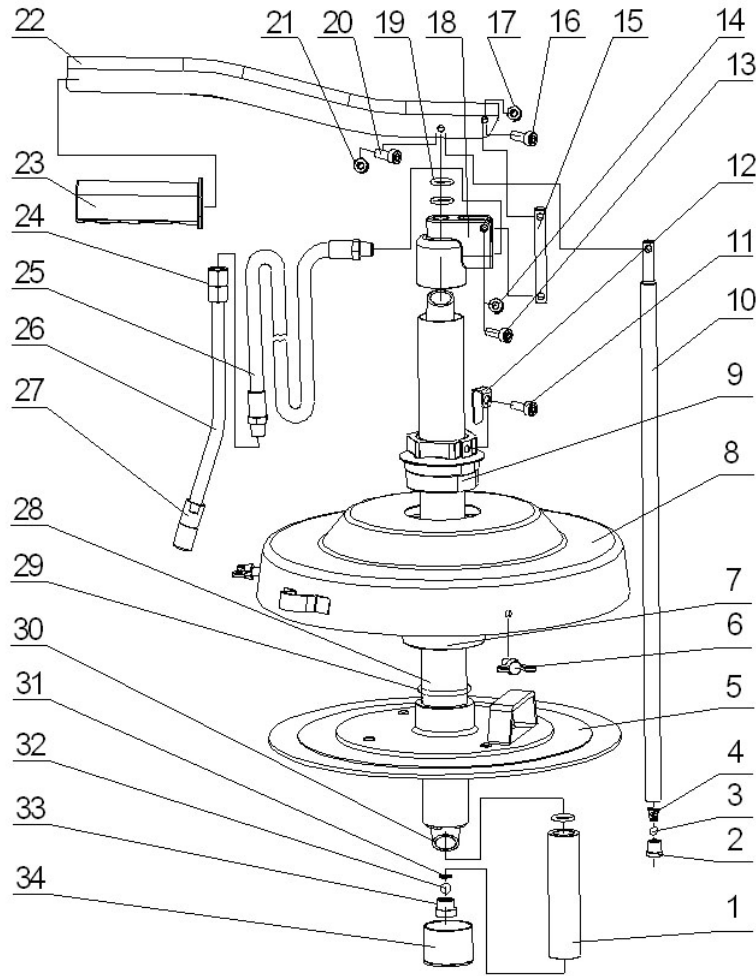


Parts Information:
Bucket Greaser with Follower Plate 12.5kg
Heavy-Duty
Model No: AK45X.V2



Item	Part No.	Description
1	AK45X.V2-01	VALVE SHEATH
2	AK45X.V2-02	VALVE
3	SB-6.4	STEEL BALL 6.4mm
4	AK45X.V2-04	SPRING
5	AK45X.V2-05	STEEL COVER
6	AK45X.V2-06	SCREW
7	AK45X.V2-07	SCREW SHEATH
8	AK45X.V2-08	COVER
9	AK45X.V2-09	CONNECT SHEATH
10	AK45X.V2-10	PISTON ROD
11	SCB616.SB	SOCKET HEAD CAP SCREW M6x16 BLACK
12	AK45X.V2-12	SCREW HOLDER
13	SCB530.S	SOCKET CAP BOLT ZINC M5X30
14	NLN5.S	NYLOC NUT M5 ZINC DIN 985 (SINGLE)
15	AK45X.V2-15	ROD
16	AK45X.V2-16	SCREW
17	NLN5.S	NYLOC NUT M5 ZINC DIN 985 (SINGLE)

Item	Part No.	Description
18	AK45X.V2-18	CYLINDER SHEATH
19	AK45X.V2-19	RUBBER RING
20	SCB520.S	SOCKET HEAD CAP SCREW M5x20
21	NLN5.S	NYLOC NUT M5 ZINC DIN 985 (SINGLE)
22	AK45X.V2-22	HANDLE
23	AK45X.V2-23	HANDLE SHEATH
24	AK45X.V2-24	SPIRAL SHEATH
25	AK45X.V2-25	RUBBER HOSE 10.5mm x 1210mm
26	AK45X.V2-26	RIGID TUBE
27	AK45X.V2-27	HOSE ADAPTOR
28	AK45X.V2-28	TUBE
29	AK45X.V2-29	RUBBER RING
30	AK45X.V2-30/1	INSIDE PIPE
31	AK45X.V2-30	SPRING
32	SB-7.9	STEEL BALL 7.9mm
33	AK45X.V2-32	VALVE
34	AK45X.V2-33	COVER

NOTE: It is our policy to continually improve products and as such we reserve the right to alter data, specifications and component parts without prior notice.

IMPORTANT: No liability is accepted for incorrect use of product.

WARRANTY: Guarantee is 12 months from purchase date, proof of which will be required for any claim.