



MINI LASER LEVEL UNIT

MODEL NO: **AK9999.V3**

Thank you for purchasing a Sealey product. Manufactured to a high standard, this product will, if used according to these instructions, and properly maintained, give you years of trouble free performance.

IMPORTANT: PLEASE READ THESE INSTRUCTIONS CAREFULLY. NOTE THE SAFE OPERATIONAL REQUIREMENTS, WARNINGS & CAUTIONS. USE THE PRODUCT CORRECTLY AND WITH CARE FOR THE PURPOSE FOR WHICH IT IS INTENDED. FAILURE TO DO SO MAY CAUSE DAMAGE AND/OR PERSONAL INJURY AND WILL INVALIDATE THE WARRANTY. KEEP THESE INSTRUCTIONS SAFE FOR FUTURE USE.



Refer to instruction manual



Warning! Laser beam

1. SAFETY

- 1.1. **GENERAL SAFETY.** Read instructions carefully before using the laser level.
 - × **DO NOT** use this device in direct sunlight.
 - × **DO NOT** allow the level to get wet.
 - × **DO NOT** allow unqualified persons or children to operate this device.
- 1.2. **LASER SAFETY.** The AK9999.V3 utilises a Class II laser that emits a low level of visible radiation (i.e. a wavelength of 650 nanometres) which is safe for the skin but not inherently safe for the eyes. The Class II emission limit is set at the maximum level for which eye protection is normally afforded by natural aversion responses to bright light. Accidental eye exposure is therefore normally safe, although the natural aversion response can be overridden by deliberately staring into the beam, and can also be influenced by the use of alcohol or drugs.
 - × **DO NOT** direct the laser beam at any person's (or animal's) eyes as eye damage could result.
 - × **DO NOT** operate the laser level when you are tired or under the influence of alcohol, drugs or intoxicating medication. Be aware that reflections of the laser beam from mirrors or other shiny surfaces can be as hazardous as direct eye exposure.

2. INTRODUCTION

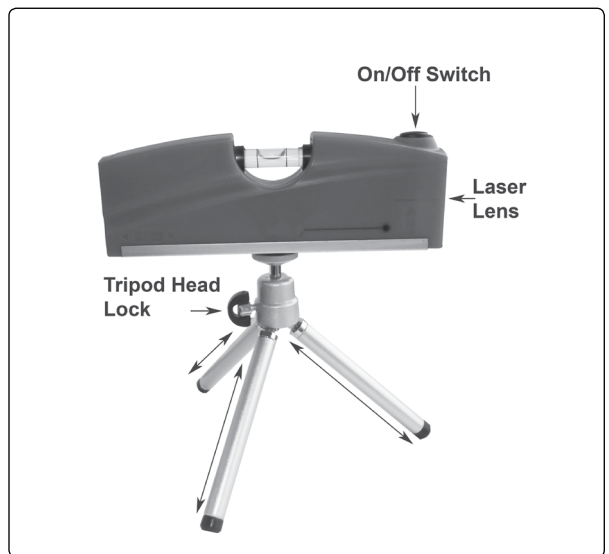
Approved for use with Model no. HBS97 MOT approved Headlamp Beam Setter. Mini tripod can be placed on bonnet or any surface on the test area. Laser dot indicates a beam setter is in or out of calibration. Also suitable for other levelling applications and features a magnet on the base for attaching to ferrous surfaces.

3. SPECIFICATION

Model noAK999.V3
 Laser power ≤ 1mW
 Wavelength..... 650Nm
 Accuracy.....1mm/m
 Batteries2 x AAA supplied
 Weight..... 0.27kg

4. BATTERY INSTALLATION

- 4.1. Slide the cover up and hinge down as in fig.1 to open.
- 4.2. Insert the batteries as in fig.2 observe correct polarity.
- 4.3. Close compartment door, reverse of 4.1.





WEEE REGULATIONS

Dispose of this product at the end of its working life in compliance with the EU Directive on Waste Electrical and Electronic Equipment (WEEE). When the product is no longer required, it must be disposed of in an environmentally protective way. Contact your local solid waste authority for recycling information.



ENVIRONMENT PROTECTION

Recycle unwanted materials instead of disposing of them as waste. All tools, accessories and packaging should be sorted, taken to a recycling centre and disposed of in a manner which is compatible with the environment. When the product becomes completely unserviceable and requires disposal, drain any fluids (if applicable) into approved containers and dispose of the product and fluids according to local regulations.

Note: It is our policy to continually improve products and as such we reserve the right to alter data, specifications and component parts without prior notice.

Important: No Liability is accepted for incorrect use of this product.

Warranty: Guarantee is 12 months from purchase date, proof of which is required for any claim.

Sealey Group, Kempson Way, Suffolk Business Park, Bury St Edmunds, Suffolk. IP32 7AR



01284 757500



01284 703534



sales@sealey.co.uk



www.sealey.co.uk