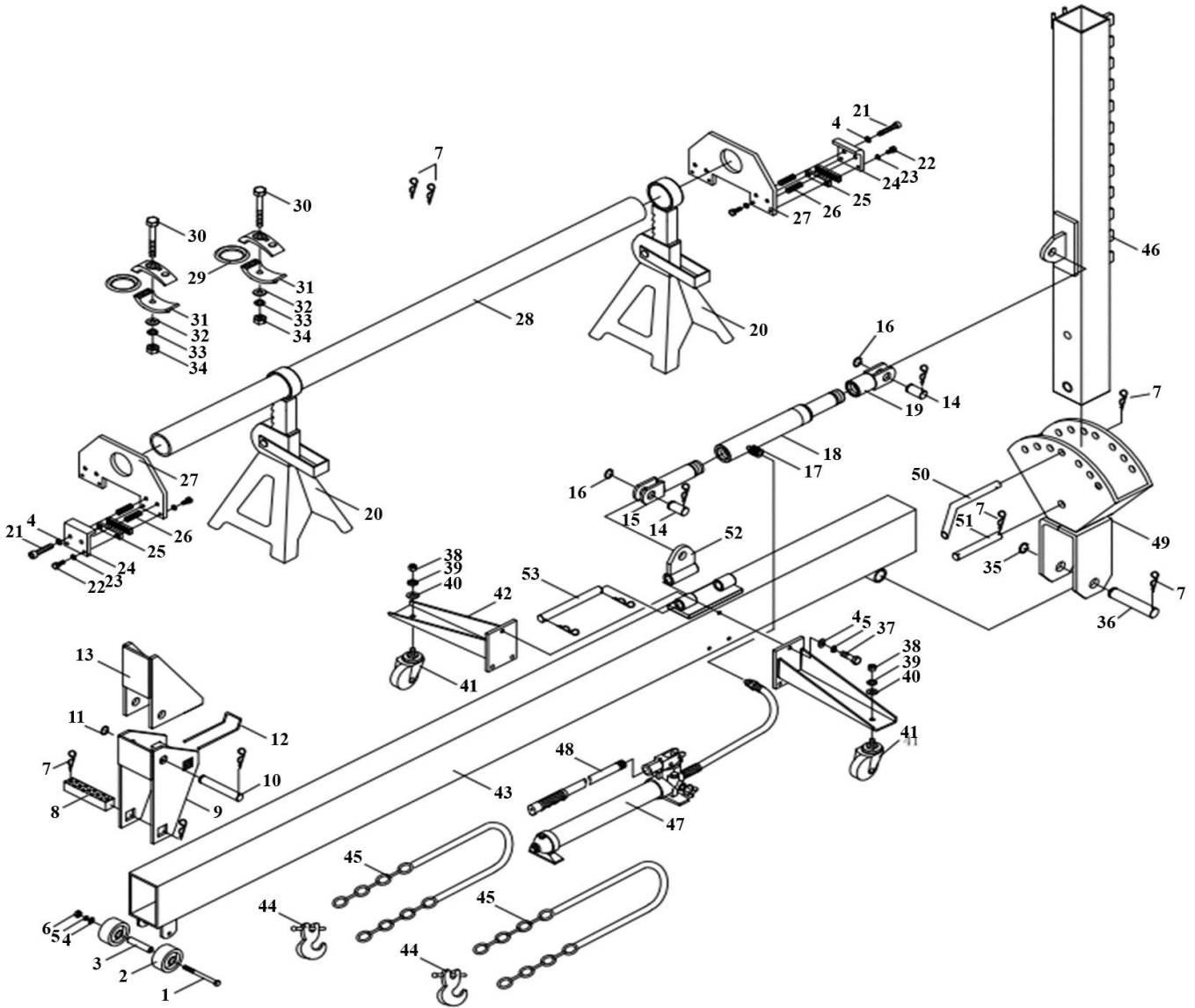




Parts Information:
Straightener Kit 10tonne with Variable
Upright
Model No: DZRE92/C.V2



NOTE: It is our policy to continually improve products and as such we reserve the right to alter data, specifications and component parts without prior notice.

IMPORTANT: No liability is accepted for incorrect use of product.

WARRANTY: Guarantee is 12 months from purchase date, proof of which will be required for any claim.

Sealey Group, Kempson Way, Suffolk Business Park, Bury St Edmunds, Suffolk. IP32 7AR



01284 757500



01284 703534



sales@sealey.co.uk



www.sealey.co.uk



Parts Information:
Straightener Kit 10tonne with Variable Upright
Model No: DZRE92/C.V2

2	DZRE92CV2.02	WHEEL, FIXED (74x16x24)
3	DZRE92CV2.03	BUSHING
4	FWM10.S	FLAT WASHER M10 SINGLE
5	SWM10.S	SPRING WASHER M10 ZINC (SINGLE)
6	SN10.S	STEEL NUT M10 ZINC DIN934(SINGLE)
7	DZRE92CV2.07	R-PIN
8	DZRE92CV2.08	STOP BLOCK
9	DZRE92CV2.09	BOTTOM, ANCHOR POST
10	DZRE92CV2.10	SPINDLE, ANCHOR POST
11	DZRE92CV2.11	RETAINING RING
12	DZRE92CV2.12	U-PIN
13	DZRE92CV2.13	TOP, ANCHOR POST
14	DZRE92CV2.14	SHORT PIN
15	DZRE92CV2.15	RAM ATTACHMENT (FEMALE)
16	DZRE92CV2.16	RETAINING RING
17	DZRE92CV2.17	RAM COUPLING
18	DZRE92CV2.18	RAM ASSEMBLY
19	DZRE92CV2.19	RAM ATTACHMENT (MALE)
20	DZRE92CV2.20	SUPPORT STAND
21	DZRE92CV2.21	SOCKET CAP BOLT BLACK M10X55
22	SS820.S	HEX HEAD SET SCREW M8x20mm SINGLE
23	FWM8.S	FLAT WASHER M8 SINGLE
24	DZRE92CV2.24	ADJUSTABLE CLAMP PLATE
25	DZRE92CV2.25	JAW FACE
26	DZRE92CV2.26	SPRING
27	DZRE92CV2.27	SUPPORT PLATE
28	DZRE92CV2.28	CROSS TUBE

Item	Part No.	Description
29	DZRE92CV2.29	PULL RING
30	HHB14100.S	HEX HEAD BOLT M14x100mm SINGLE
31	DZRE92CV2.31	PULL CLAMP
32	FWM16.S	FLAT WASHER M16 SINGLE
33	SWM14.S	SPRING WASHER M14 ZINC (SINGLE)
34	SN14.S	STEEL NUT M14 ZINC DIN934(SINGLE)
35	DZRE92CV2.35	RETAINING RING
36	DZRE92CV2.36	SPINDLE
37	DZRE92CV2.37	BOLT
38	SN12.S	STEEL NUT M12 ZINC DIN934(SINGLE)
19	SWM12.S	SPRING WASHER M12 ZINC (SINGLE)
40	FWM12.S	FLAT WASHER M12 SINGLE
41	DZRE92CV2.41	WHEEL, CASTOR (76x12x30x114)
42	DZRE92CV2.42	CASTOR WHEEL ARM SUPPORT
43	DZRE92CV2.43	MAIN BEAM
44	DZRE92CV2.44	HOOK ASSEMBLY
45	DZRE92CV2.45	CHAIN 2080mm
46	DZRE92CV2.46	POST
47	RE97.10-01	PUMP ASSEMBLY
48	RE97.10-01.02	HANDLE (c/w GRIP)
49	DZRE92CV2.49	TILTING SUPPORT
50	DZRE92CV2.50	LOCK PIN
51	DZRE92CV2.51	PIN
52	DZRE92CV2.52	HINGE
53	DZRE92CV2.53	HINGE PIN

NOTE: It is our policy to continually improve products and as such we reserve the right to alter data, specifications and component parts without prior notice.

IMPORTANT: No liability is accepted for incorrect use of product.

WARRANTY: Guarantee is 12 months from purchase date, proof of which will be required for any claim.

Sealey Group, Kempson Way, Suffolk Business Park, Bury St Edmunds, Suffolk. IP32 7AR



01284 757500



01284 703534



sales@sealey.co.uk



www.sealey.co.uk