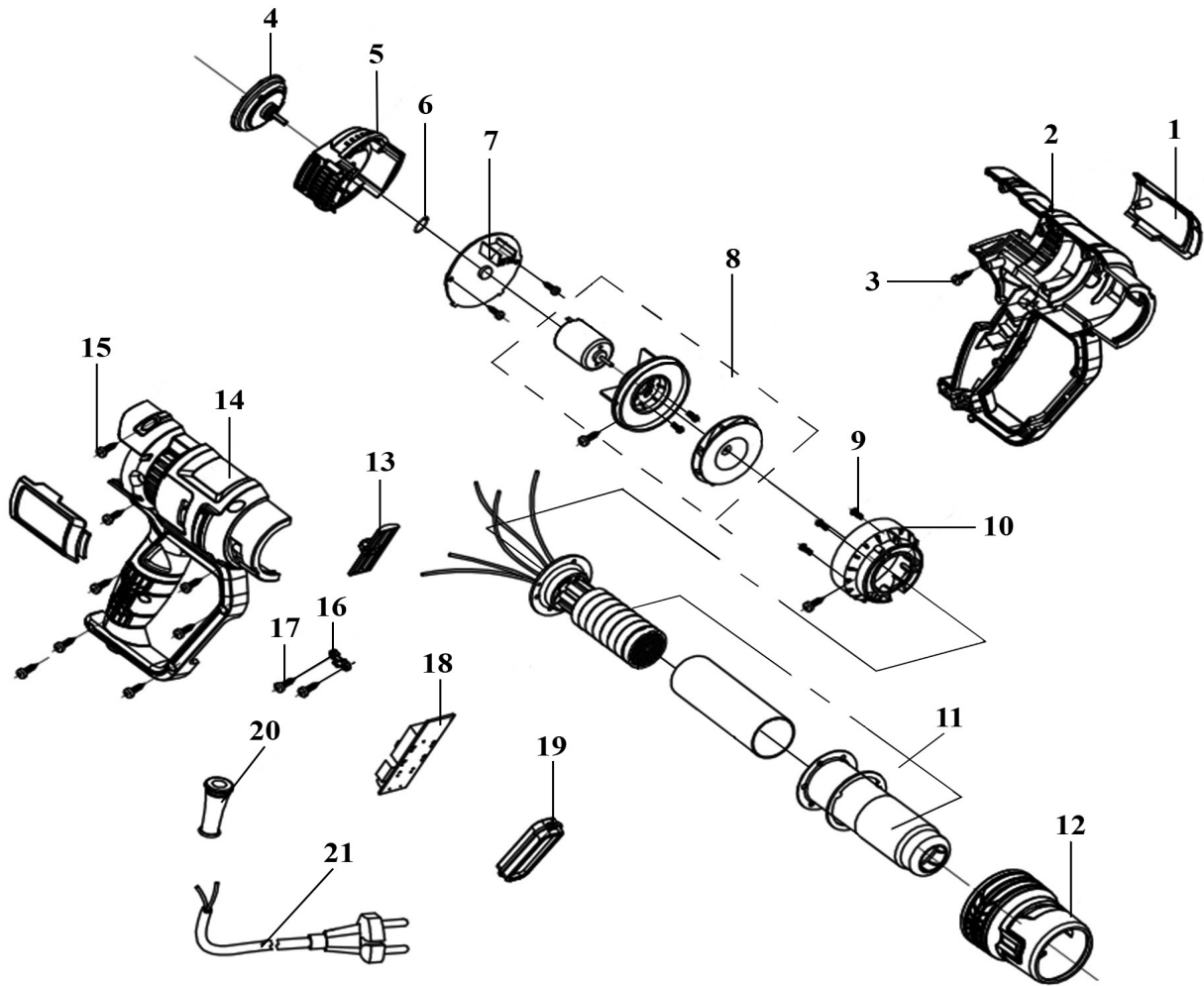




Parts Information:  
**Plastic Welding Kit including HS102 Hot Air Gun**  
**Model No: HS102K.V3**



Item	Part No.	Description
1	HS102.V3-01	Side Plate for Casing
2	HS102.V3-02	Casing, Left Side
3	HS102.V3-03	Screw for Casing
4	HS102.V3-04	Knob Assembly
5	HS102.V3-05	Back Cover
6	HS102.V3-06	Snap Ring
7	HS102.V3-07	PCB
8	HS102.V3-08	Motor/Fan Assembly
9	HS102.V3-09	Screw for Fan Cover
10	HS102.V3-10	Fan Cover
11	HS102.V3-11	Heating Element Assembly
12	HS102.V3-12	Front Cover
13	HS102.V3-13	Switch Cover
14	HS102.V3-14	Casing, Right Side
15	HS102.V3-15	Screw for Casing

Item	Part No.	Description
16	HS102.V3-16	Cord Grip
17	HS102.V3-17	Screw for Cord Grip
18	HS102.V3-18	Switch Assembly
19	HS102.V3-19	Handle Grip
20	HS102.V3-20	Cord Sleeve
21	HS102.V3-21	Power Cable
		<b>(Items not shown)</b>
--	HS100/1	Fish Tail Nozzle
--	HS100/2	Window Nozzle
--	HS100/3	Deflector Nozzle
--	HS100/4	Reduction Nozzle
--	HS102K/1	ABS Plastic Welding Rods Pack of 36
--	HS102K/2	Plastic Welding Nozzle
--	HS102K/3	Plastic Welding Reduction Nozzle 9mm

**NOTE:** It is our policy to continually improve products and as such we reserve the right to alter data, specifications and component parts without prior notice. There may be alternative versions of this product, please contact us should you require this information.

**IMPORTANT:** No liability is accepted for incorrect use of product. Spare parts must be fitted by a competent person

**WARRANTY:** Guarantee is 12 months from purchase date, proof of which will be required for any claim.

**Sealey Group**, Kempson Way, Suffolk Business Park, Bury St Edmunds, Suffolk. IP32 7AR



01284 757500



01284 703534



sales@sealey.co.uk



www.sealey.co.uk