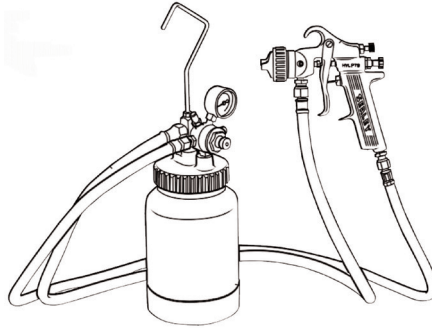


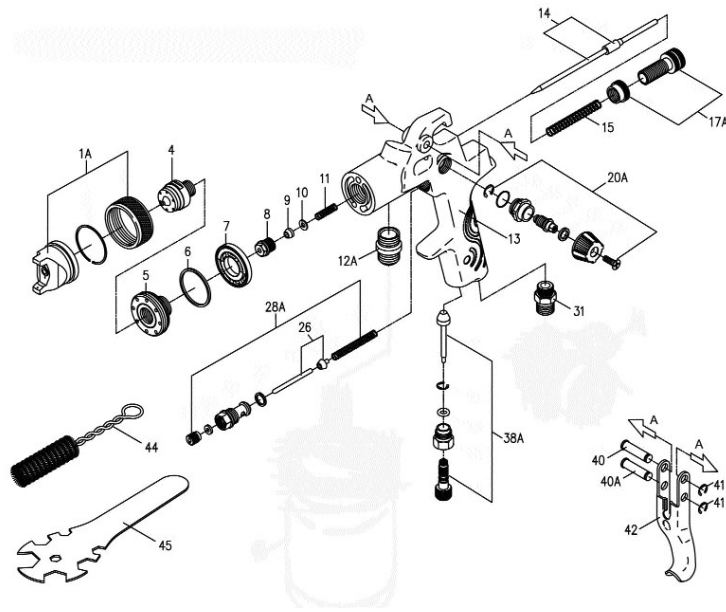


Parts Information:  
**HVLP Pressure Pot System with Spray Gun & Hoses 1.7mm Set-Up**  
**Model No: HVLP-79/P.V2**



Item	Part No.	Description
1	HVLP-79/P1	SPRAY GUN for 1.7mm SET-UP for HVLP-79/P
2	HVLP-79/P2	HOSE SET 2 x 1.3mtr for HVLP-79/P & SSG1

Item	Part No.	Description
3	HVLP-79/P3	PRESSURE POT 2ltr for HVLP-79/P



Item	Part No.	Description
1A	HVLP79.V2-01A	AIR CAP SET
4	HVLP79.V2-04	FLUID NOZZLE
5	HVLP79.V2-05	BRASS RING
6	HVLP79.V2-06	TEFLON O-RING
7	HVLP79.V2-07	GASKET
8	HVLP79.V2-08	SCREW
9	HVLP79.V2-09	TEFLON SEAL
10	FWM3.S	FLAT WASHER M3 SINGLE
11	HVLP79.V2-11	SPRING
12A	HVLP79.V2-12A	FLUID JOINT
13	HVLP79.V2-13	GUN BODY
14	HVLP79.V2-14	PAINT NEEDLE COMPLETE
15	HVLP79.V2-15	SPRING FOR PAINT NEEDLE
17A	HVLP79.V2-17A	CONTROL KNOB SET
20A	HVLP79.V2-20A	SPRAY REGULATING SET

Item	Part No.	Description
26	HVLP79.V2-26	VALVE
28A	HVLP79.V2-28A	AIR VALVE ASS'Y
31	HVLP79.V2-31	AIR CONNECTOR 1/4" BSP
38A	HVLP79.V2-38A	AIR ADJUSTING VALVE ASS'Y
40	HVLP79.V2-40	PIN
40A	HVLP79.V2-40A	PIN WITH HOLE
41	HVLP79.V2-38A	AIR ADJUSTING VALVE ASS'Y
42	HVLP79.V2-42	TRIGGER
44	HVLP79.V2-44	BRUSH
45	HVLP79.V2-45	SPANNER
--	HVLP79V2-S1.3	SET-UP 1.3mm (NOT SHOWN)
--	HVLP79V2-S1.4	SET-UP 1.4mm (NOT SHOWN)
--	HVLP79V2-S1.5	SET-UP 1.5mm (NOT SHOWN)
--	HVLP79V2-S1.7	SET-UP 1.7mm (NOT SHOWN)
--	HVLP79V2-S2.0	SET-UP 2.0mm (NOT SHOWN)

**NOTE:** It is our policy to continually improve products and as such we reserve the right to alter data, specifications and component parts without prior notice.

**IMPORTANT:** No liability is accepted for incorrect use of product.

**WARRANTY:** Guarantee is 12 months from purchase date, proof of which will be required for any claim.

Sealey Group, Kempson Way, Suffolk Business Park, Bury St Edmunds, Suffolk. IP32 7AR



01284 757500



01284 703534



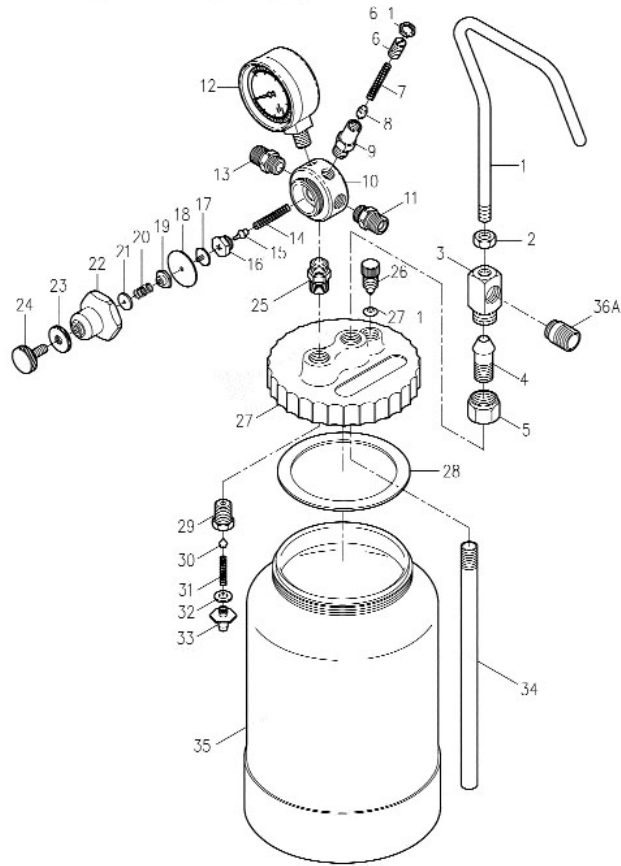
sales@sealey.co.uk



www.sealey.co.uk



Parts Information:  
**HVLP Pressure Pot System with Spray Gun  
 & Hoses 1.7mm Set-Up**  
**Model No: HVLP-79/P.V2**



Item	Part No.	Description
1	HVLP79P3V2.01	HOOK
2	SN8.S	STEEL NUT M8 ZINC DIN934 (SINGLE)
3	HVLP79P3V2.03	OUTLET FITTING
4	HVLP79P3V2.04	CENTERPOST
5	HVLP79P3V2.05	CENTERPOST NUT
6	HVLP79P3V2.06	ADJUSTING SCREW
6-1	SN3.S	STEEL NUT M3 ZINC DIN934 (SINGLE)
7	HVLP79P3V2.07	SPRING
8	HVLP79P3V2.08	RUBBER STOP
9	HVLP79P3V2.09	SAFETY VALVE BODY
10	HVLP79P3V2.10	AIR HOUSING
11	HVLP79P3V2.11	AIR OUTLET
12	HVLP79P3V2.12	AIR PRESSURE GAUGE60psi 40mm OD BTM FITT
13	HVLP79P3V2.13	AIR INLET
14	HVLP79P3V2.14	SPRING
15	HVLP79P3V2.15	VALVE STEM
16	HVLP79P3V2.16	VALVE SCREW
17	HVLP79P3V2.17	SCREW
18	HVLP79P3V2.18	WASHER

Item	Part No.	Description
19	HVLP79P3V2.19	SCREW
20	HVLP79P3V2.20	SPRING
21	HVLP79P3V2.21	WASHER
22	HVLP79P3V2.22	LOCK SCREW
23	HVLP79P3V2.23	ADJUSTING NUT
24	HVLP79P3V2.24	ADJUSTING SCREW
25	HVLP79P3V2.25	SCREW
26	HVLP79P3V2.26	AIR RELEASE VALVE
27	HVLP79P3V2.27	COVER
27-1	HVLP79P3V2.CG	GASKET
28	HVLP79P3V2.28	GASKET
29	HVLP79P3V2.29	SCREW
30	HVLP79P3V2.30	STOPPER
31	HVLP79P3V2.31	SPRING
32	HVLP79P3V2.32	SMALL NYLON WASHER
33	HVLP79P3V2.33	SCREW
34	HVLP79P3V2.34	TUBE
35	HVLP79P3V2.35	CUP
36A	HVLP79P3V2.36	PAINT OUTLET SCREW

**NOTE:** It is our policy to continually improve products and as such we reserve the right to alter data, specifications and component parts without prior notice.

**IMPORTANT:** No liability is accepted for incorrect use of product.

**WARRANTY:** Guarantee is 12 months from purchase date, proof of which will be required for any claim.

**Sealey Group**, Kempson Way, Suffolk Business Park, Bury St Edmunds, Suffolk. IP32 7AR



01284 757500



01284 703534



sales@sealey.co.uk



www.sealey.co.uk