



INSTRUCTIONS FOR:

INDUSTRIAL VACUUM CLEANER 20LTR

MODEL NO: **PC200SD.V3**

Thank you for purchasing a Sealey product. Manufactured to a high standard, this product will, if used according to these instructions and maintained properly, give you years of trouble free performance.

IMPORTANT: PLEASE READ THESE INSTRUCTIONS CAREFULLY. NOTE THE SAFE OPERATIONAL REQUIREMENTS, WARNINGS & CAUTIONS. USE THE PRODUCT CORRECTLY AND WITH CARE FOR THE PURPOSE FOR WHICH IT IS INTENDED. FAILURE TO DO SO MAY CAUSE DAMAGE AND/OR PERSONAL INJURY AND WILL INVALIDATE THE WARRANTY. KEEP THESE INSTRUCTIONS SAFE FOR FUTURE USE.



Refer to Instruction
Manual

1. SAFETY

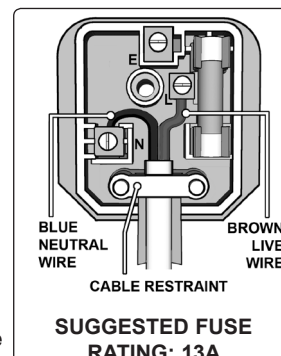
1.1 ELECTRICAL SAFETY

WARNING! It is the responsibility of the owner and the operator to read, understand and comply with the following:

You must check all electrical products, before use, to ensure that they are safe. You must inspect power cables, plugs, sockets and any other connectors for wear or damage. You must ensure that the risk of electric shock is minimised by the installation of appropriate safety devices. A Residual Current Circuit Breaker (RCCB) should be incorporated in the main distribution board. We also recommend that a Residual Current Device (RCD) is used. It is particularly important to use an RCD with portable products that are plugged into a supply which is not protected by an RCCB. If in any doubt consult a qualified electrician. You may obtain a Residual Current Device by contacting your Sealey dealer.

You must also read and understand the following instructions concerning electrical safety.

- 1.1.1 The **Electricity at Work Act 1989** requires that all portable electrical appliances, if used on business premises, are tested by a qualified electrician, using a Portable Appliance Tester (PAT), at least once a year.
- 1.1.2 The **Health & Safety at Work Act 1974** makes owners of electrical appliances responsible for the safe condition of those appliances and the safety of the appliance operators. **If in any doubt about electrical safety, contact a qualified electrician.**
- 1.1.3 Ensure that the insulation on all cables and on the appliance is safe before connecting it to the power supply. See 1.1.1. and 1.1.2. and use a Portable Appliance Tester.
- 1.1.4 Ensure that cables are always protected against short circuit and overload.
- 1.1.5 Regularly inspect power supply cables and plugs for wear or damage and check all connections to ensure that none is loose.
- 1.1.6 **Important:** Ensure that the voltage marked on the appliance matches the power supply to be used and that the plug is fitted with the correct fuse - see fuse rating at right.
- 1.1.7 **DO NOT** pull or carry the appliance by the power cable.
- 1.1.8 **DO NOT** pull the plug from the socket by the cable.
- 1.1.9 **DO NOT** use worn or damaged cables, plugs or connectors. Have any faulty item repaired or replaced immediately by a qualified electrician. When a BS 1363/A UK 3 pin plug is damaged, cut the cable just above the plug and **dispose of the plug safely.**
Fit a new plug according to the following instructions (UK only).
 - a) **Connect the BROWN live wire to the live terminal 'L'.**
 - b) **Connect the BLUE neutral wire to the neutral terminal 'N'. Do not connect any wire to the earth (E) terminal**
 - c) **After wiring, check that there are no bare wires, that all wires have been connected correctly, that the cable outer insulation extends beyond the cable restraint and that the restraint is tight.**



- 1.1.10 If an extension reel is used it should be fully unwound before connection. A reel with an RCD fitted is preferred since any appliance plugged into it will be protected. The cable core section is important and should be at least 1.5mm² but to be absolutely sure that the capacity of the reel is suitable for this product and for others which may be used in the other output sockets, we recommend the use of 2.5mm² section cable.

1.2 GENERAL SAFETY

- ✓ Disconnect the cleaner from the power supply before servicing, changing accessories, or performing any maintenance.
- ✓ Use only genuine parts and accessories. Unauthorised parts and accessories may be dangerous and will invalidate your warranty.
- ✓ Maintain the cleaner in good condition. Use an authorised agent for servicing. Keep machine clean, but DO NOT use solvents.
- ✓ For dry vacuuming ensure the cartridge filter is locked in place before operating the cleaner.
- x **DO NOT** operate the unit without the locking cartridge filter in place (except when wet vacuuming). **Using the cleaner without a cartridge filter will cause machine faults and will invalidate your warranty.**
- ✓ Wear protective clothing and gloves.
- x **DO NOT** allow children or untrained persons to operate the cleaner.
- x **DO NOT** place attachments close to your face (especially eyes, ears, etc). Do not point the hose end at other persons or animals.
- ▲ **DANGER!** DO NOT vacuum hot or glowing ash, cigarette ends, inflammable, explosive, corrosive or other dangerous substances.
- x **DO NOT** operate the unit without the dust bag or optional cartridge filter (except when wet vacuuming).
- x **DO NOT** leave machine running unattended. Turn power supply OFF, and DO NOT leave the vicinity until motor has come to a complete stop.
- x **DO NOT** operate the cleaner while under the influence of drugs, alcohol or impairing medication, or if you are tired.
- x **DO NOT** use the cleaner in the rain or in very damp conditions.
- x **DO NOT** use the cleaner for a task it is not designed to perform.
- ✓ When not in use, store the cleaner in a safe, dry, childproof location.

2. CONTENTS AND SPECIFICATIONS

2.1 Carton content

- 2.1.1 Carefully unpack the carton.
- 2.1.2 Locate the two side clasps (fig.1.6) which hold the top section (fig.1.3) in place.
- 2.1.3 Undo the clasps, remove the power head and take out the items in the container.
- 2.1.4 Check and identify each component as listed below. If anything is missing or damaged please contact your supplier immediately.

2.2 Specification

Motor: 230V 1250W	Max. Vacuum Pressure	140mbar
Air Flow.....		120m ³ /h
Container		20ltr
Weight.....		5kg
Vac Accessories Ø:.....		35mm
Filter (See Sect.9 'Consumables') - Dry:.....	Locking Cartridge Filter	
Filter (See Sect.9 'Consumables') - Wet:.....	Foam	

Item	Description	Item	Description
1	Handle	11	Telescopic suction tube
2	ON/OFF switch	12	Blow connection
3	Top section	13	Combination nozzle
4	Filter basket	14	Air regulator handle
5	Safety float valve	15	Foam filter
6	Clasp	16	Crevice nozzle
7	Stainless Steel drum	17	Locking Cartridge filter (fitted as standard)
8	Vacuum hose connection	18	Noise muffler
9	Drain Cap		
10	Flexible vacuum hose		

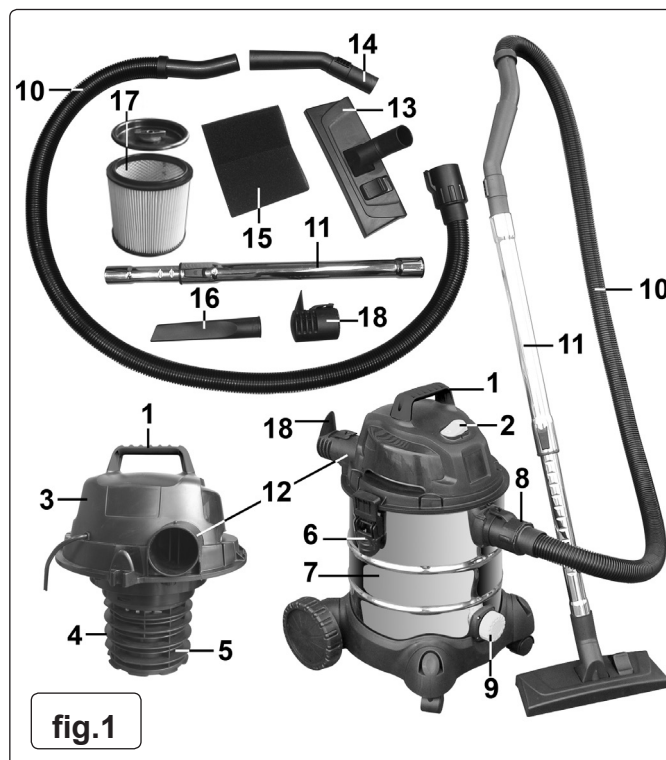


fig.1

3. ASSEMBLY

- 3.1 Ensure the mains plug is disconnected. (fig.2.1)
- 3.2 Undo clasps. (fig.2.2)
- 3.3 Lift off the power head assembly. (fig.2.3)
- 3.4 Remove contents from inside the container. (fig.2.4)
- 3.5a Turn the drum upside down and insert the castor assembly mouldings into the slots in the base either side of the blue drain cap. Ensure they are pushed all the way in and fix them with the self tapping screws provided. (fig.2.5a) Do not overtighten.
- 3.5b The wheel assembly mouldings are marked 1 and 2. Insert the wheel assembly mouldings into the two remaining slots in the base ensuring that the number on each moulding matches the number to be found on the base. Ensure they are pushed all the way in and fix them with the self tapping screws provided (fig.2.5b) Do not overtighten.
- 3.6 For dry vacuum cleaning use the locking cartridge filter supplied and with the raised rim uppermost fit the cartridge filter tube down over the filter basket and push fully home. Place the locking disc onto the top of the filter and turn the locking bar until the latch drops into the slot in the top of the filter basket. Continue turning until the filter is fully locked down. (fig.2.6)
- 3.7 For wet vacuum cleaning fit the supplied foam filter. (fig.2.7)

NOTE: Do not operate the cleaner without a cartridge filter fitted as this will damage the machine and invalidate your warranty.

- 3.8 Replace the power head assembly onto the drum ensuring that the blue on/off switch is above the vacuum hose connector. (fig.2.8)
- 3.9 Align the ridges on the rim of the power head with the two side clasps. Place the upper part of each clasp over the ridges and snap the clasps into place by pressing on the lower part of each clasp in turn. (fig.2.9)
- 3.10 Align the arrow symbol on the large end of the vacuum hose with the pin on the front inlet of the drum. Push the fitting into the inlet and lock in place by turning the fitting clockwise. (fig.2.10)
- 3.11 Choose the desired nozzle and push it onto the telescopic suction tube. (fig.2.11)

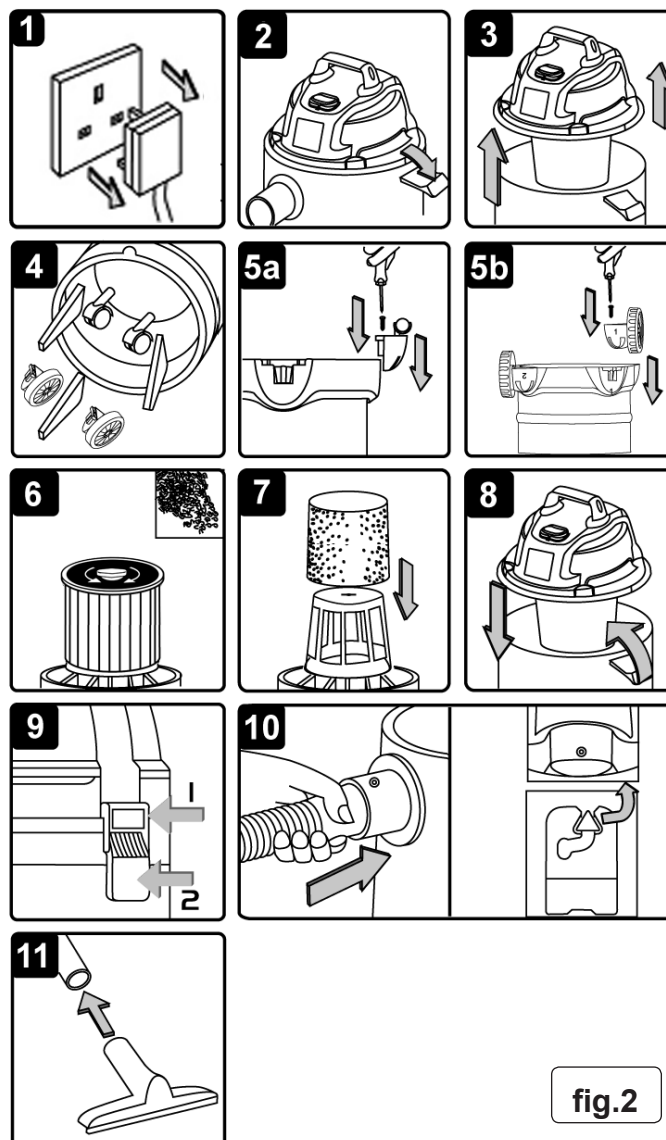


fig.2

4. DRY VACUUM CLEANING

- ❑ **WARNING! Ensure you read, understand and apply Section 1 'Safety Instructions'. Reminder: DO NOT vacuum hazardous substances. Use of an incorrect cartridge filter will invalidate your warranty.**
- 4.1 Ensure the machine is unplugged from the power supply. (fig.3.1)
- 4.2 Remove the power head and fit the locking cartridge filter down over the filter basket as described in section 3.6.
- 4.3 Reposition the power head onto the drum body, and clip in place. (fig.3.3)
- 4.4 Insert the larger end of the flexible hose into the front inlet on the container and lock in place. Push the required attachment onto the free end of the hose (fig.3.4)
- 4.5 Plug in the power supply. (fig.3.5)
- 4.6 Switch to the 'On' (position 'I'). (fig.3.6)
- 4.7 When you have completed vacuuming, press the switch to 'Off'.

5. WET VACUUM CLEANING

- ❑ **WARNING! Ensure you read, understand and apply Section 1 'Safety Instructions'. Reminder: Remove plug from power supply before opening unit. DO NOT vacuum solvents, explosives, inflammable and/or hazardous liquids such as petrol, oil, spirits, paint, thinners, acids etc.**

- 5.1 Ensure the machine is unplugged from the power supply. (fig.4.1) Make sure the tank is clean and free from dust and dirt.
- 5.2 Remove the cartridge filter and fit a foam filter over the filter basket. (fig.4.2) Refit the power head onto the drum.
- 5.3 To the same flexible hose used in dry cleaning fit the desired nozzle (fig.4.3)
- 5.4 Ensure the switch is 'Off' (position '0') before plugging into the power supply.
- 5.5 Press the switch to 'On' (position 'I'). (fig.4.5)

Note: To vacuum large quantities of liquid, from a sink or tank etc, do not immerse the nozzle completely in the liquid, leave a gap at the top of the nozzle opening to allow an air inflow. The machine is fitted with a float valve which stops the suction action when the tank has reached its maximum capacity. The user will notice an increase in motor speed. When this happens, turn off the machine, disconnect from power supply, remove the power head from the container and empty the liquid into a suitable receptacle or drain. (fig.4.6). To continue vacuuming, refit the power head and proceed. After wet vacuuming, turn the machine off and unplug from power supply. Empty the container and clean and dry the inside and outside before storage.

Remember! After wet vacuuming the foam filter must be removed and a cartridge filter must be fitted before dry vacuuming again.

- ❑ **WARNING! Not designed for liquid storage. Always empty liquids after use and before storing.**

6. BLOWING

- 6.1 Push the large end of the flexible hose into the blow connection in the top section. (fig.5.1)
 - 6.2 Ensure the power switch is turned off (fig.5.2) and plug in the power supply. (fig.5.3)
 - 6.3 Switch on the power (position 'I'). (fig.5.4)
 - 6.4 The unit will now blow through the hose and can be used to clear obstructions within the pipe. (fig.5.5)
- ❑ **WARNING! If after a few seconds the hose is still blocked turn of the unit and clear the hose manually.**

fig.3

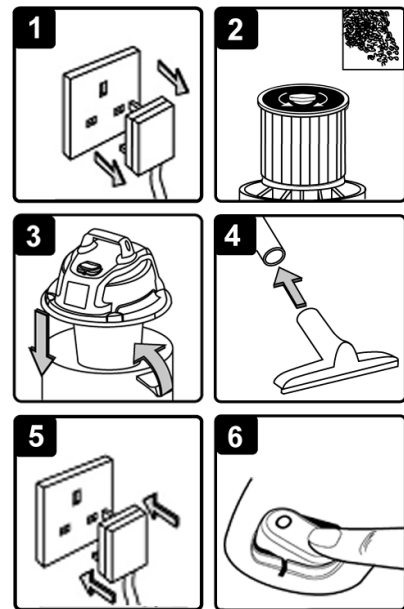


fig.4

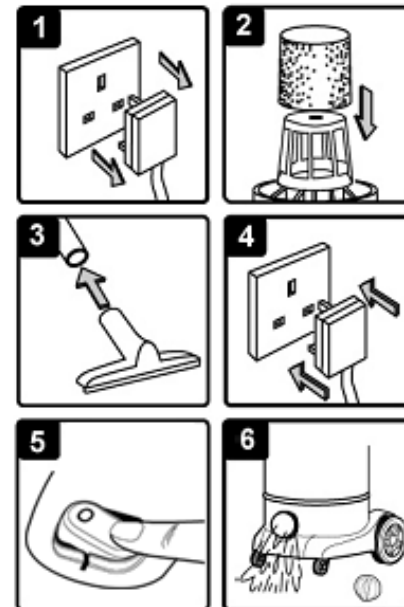
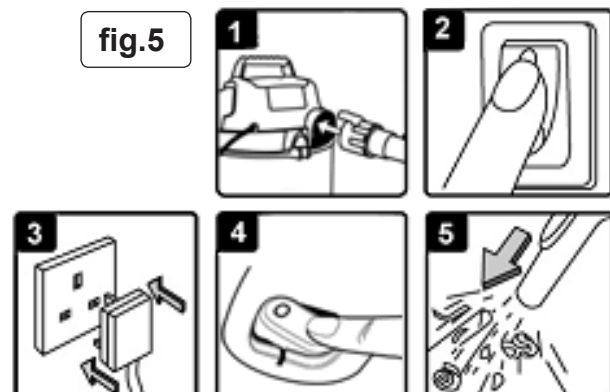


fig.5



7. MAINTENANCE

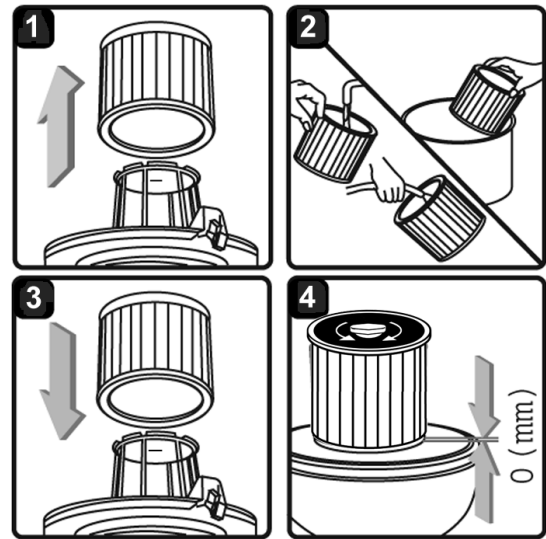
fig.6

7.1 GENERAL MAINTENANCE.

- 7.1.1 Ensure the machine is unplugged from the power supply.
- 7.1.2 Disconnect the hose from the container.
- 7.1.3 Undo the clasps and remove power head from the container.
- 7.1.4 Clear out any dirt or debris from the container and hose.
- 7.1.5 Clean the foam filter by washing it in a mild soapy solution.
- 7.1.6 Check that the telescopic suction tube operates smoothly and check the power cable to make sure it has not received any damage.

7.2 CARTRIDGE FILTER MAINTENANCE.

- 7.2.1 Handle the filter carefully when cleaning or installing.
- 7.2.2 Unlock and carefully remove the cartridge filter (fig.6.1) and inspect it for damage. A filter that has small holes or tears in it will not perform efficiently and should be replaced.
- 7.2.3 To clean a dry filter, tap it inside a waste bin. (fig.6.2)
- 7.2.4 Do not use the filter if it becomes wet as the filter will clog quickly and be very difficult to clean. (The cartridge filter is designed for dry vacuuming only). Should the filter be inadvertently wetted it should be rinsed from the inside (fig.6.2) and allowed to air dry for 24 hours.
- 7.2.5 Fit the new/cleaned filter onto the filter basket (fig.6.3) as described in section 3.6 and lock it in place (fig.6.4)



8. TROUBLESHOOTING

PROBLEM	CAUSE	SOLUTION
1) Cleaner will not operate	1a) No power supply	Check supply
	1b) Faulty power cable, switch or motor	Check and repair or replace faulty item
	1c) Container full of liquid	Empty container
2) Dust comes from the motor cover	2) Cartridge filter missing or damaged	Fit or replace cartridge filter
3) Reduced efficiency and increased motor speed/vibration.	3a) Dust container full.	Empty container
	3b) Filter clogged.	Clean or replace cartridge filter
	3c) Nozzle, hose or container inlet blocked	Check nozzle, hose & container inlet for blockage

9. CONSUMABLES

Locking Cartridge Filter (Must be used for dry vacuuming). Model No. PC200CFL

Foam Filter (Pack of 10). Model No. PC200FF10

IMPORTANT! IF THE MACHINE IS USED WITHOUT A CARTRIDGE FILTER FITTED THE MOTOR WILL BURN OUT EVENTUALLY AND YOUR GUARANTEE WILL BE INVALIDATED. ALWAYS KEEP A SPARE CARTRIDGE FILTER HANDY.

PC200SD Dust Bags (Pack of 5) Optional Extra. Model No. PC200PB5



Environmental Protection

Recycle unwanted materials instead of disposing of them as waste. All tools, accessories and packaging should be sorted, taken to a recycling centre and disposed of in a manner which is compatible with the environment.

When the product becomes completely unserviceable and requires disposal, drain off any fluids (if applicable) into approved containers and dispose of the product and the fluids according to local regulations.



WEEE Regulations

Dispose of this product at the end of its working life in compliance with the EU Directive on Waste Electrical and Electronic Equipment (WEEE). When the product is no longer required, it must be disposed of in an environmentally protective way. Contact your local solid waste authority for recycling information.

NOTE: It is our policy to improve products continually and as such we reserve the right to alter data, specifications and component parts without prior notice.

IMPORTANT: No liability is accepted for incorrect use of this product.

WARRANTY: Guarantee is 12 months from purchase date, proof of which will be required for any claim.



Sole UK Distributor, Sealey Group,
Kempson Way, Suffolk Business Park,
Bury St. Edmunds, Suffolk,
IP32 7AR

01284 757500

01284 703534



www.sealey.co.uk



sales@sealey.co.uk