



AIR GREASE GUN

MODEL NO: SA40

Thank you for purchasing a Sealey product. Manufactured to a high standard, this product will, if used according to these instructions, and properly maintained, give you years of trouble free performance.

IMPORTANT: PLEASE READ THESE INSTRUCTIONS CAREFULLY. NOTE THE SAFE OPERATIONAL REQUIREMENTS, WARNINGS & CAUTIONS. USE THE PRODUCT CORRECTLY AND WITH CARE FOR THE PURPOSE FOR WHICH IT IS INTENDED. FAILURE TO DO SO MAY CAUSE DAMAGE AND/OR PERSONAL INJURY AND WILL INVALIDATE THE WARRANTY. KEEP THESE INSTRUCTIONS SAFE FOR FUTURE USE.



Refer to instructions



Wear eye protection



Wear protective gloves



Wear protective clothing



Wear ear protection

1. SAFETY

- ✓ Follow workshop Health & Safety rules, regulations and conditions when using the grease gun.
- ☐ **WARNING!** Disconnect from air supply before changing accessories or servicing.
- ✓ Maintain the gun in good condition and replace any damaged or worn parts. *Use genuine parts only. Unauthorised parts may be dangerous and will invalidate the warranty.*
- ☐ **WARNING!** Check that the correct air pressure is maintained and not exceeded.
- ✓ Keep air hose away from heat, oil and sharp edges. Check hose for wear before each use and ensure that all connections are secure.
- ✓ Wear approved safety gloves and eye and ear protection.
- ✓ Keep gun clean and in good working order for best and safest performance.
- ✓ Keep children and unauthorised persons away from the work area.
- ✗ **DO NOT** use the gun for a task it is not designed to perform.
- ☐ **WARNING! DO NOT** use gun if damaged or thought to be faulty. Contact your local service agent.
- ☐ **WARNING!** Grease is delivered at high pressure. **DO NOT** point the grease nozzle at yourself or others.
- ✗ **DO NOT** operate the trigger until the nozzle is firmly attached to the receiving grease fitting.
- ✗ **DO NOT** drop, throw, or abuse, the gun.
- ✗ **DO NOT** carry the gun by the air hose, or yank the hose from the air supply.
- ✗ **DO NOT** operate gun if you are tired or under the influence of alcohol, drugs or intoxicating medication.
- ✗ **DO NOT** direct air from the air hose at yourself or others.
- ✓ When not in use, disconnect from air supply and store in a safe, dry, childproof location.

2. INTRODUCTION

Die-cast head and body with chromed steel grease tube. Includes rigid extension tube and 4-jaw coupler. Trigger operated single impulse gun with 3-way fill and air bleed valve. Accepts 400g grease cartridges, bulk or manual fill.

3. SPECIFICATION

Air Pressure.....	30-150psi
Delivery Pressure	1200-6000psi
Air Inlet	1/4" BSP
Optional Flexible Extension.....	SA40/09A

4. PREPARATION FOR USE

Air Supply

Recommended hook-up is shown in fig. 2.

- 4.1. Ensure that the trigger is in the Off position when connecting to the air supply.
 - ☐ **WARNING!** Ensure that the air supply is clean and is between 30-150psi. Too high an air pressure and/or unclean air will shorten the life of the gun due to excessive wear, and may be dangerous, causing damage and/or personal injury.
- 4.2. Drain the compressor air tank daily. Water in the air line will damage the gun.
- 4.3. Clean compressor air inlet filter weekly.
- 4.4. Line pressure should be increased to compensate for unusually long air hoses (over 8 metres). The minimum hose size should be 1/4" I.D. and fittings must have the same internal bore.
- 4.5. Keep hose away from heat, oil and sharp edges. Check hose for wear and make certain that all connections are secure.

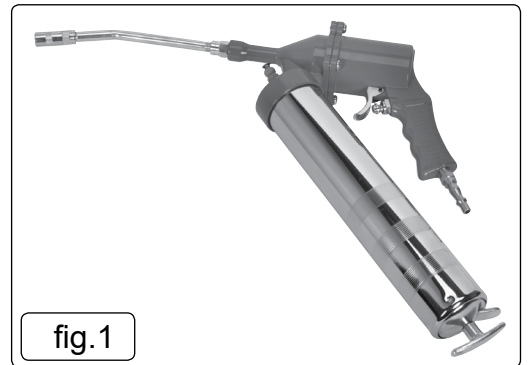


fig.1

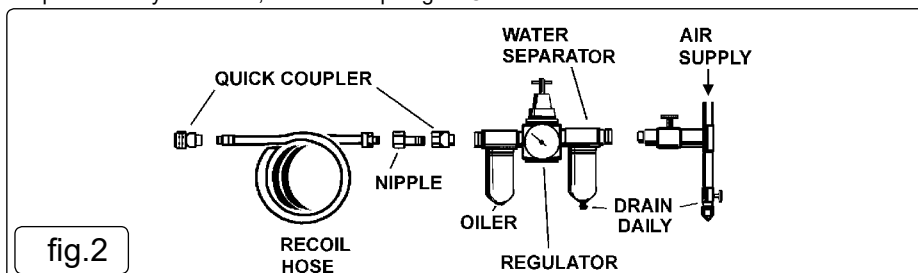


fig.2

5. CHARGING INSTRUCTIONS

- ❑ **WARNING!** Ensure that you read, understand and apply the safety instructions before use.

5.1. Cartridge Loading (fig. 3)

5.1.1. Remove the gun head from the container tube.

5.1.2. Fully draw back the plunger handle.

5.1.3. Insert the open end of the cartridge into the container tube and push it all the way in. Remove the seal or pull tab end from the cartridge.

5.1.4. Reassemble the gun head to the container tube. Press the catch plate and release the plunger rod. Push down on the plunger handle.

5.2. Suction Filling (fig. 3)

5.2.1. Remove the gun head from the container tube.

5.2.2. Submerge the open end of the container tube into grease bucket by approximately 50mm (2") and slowly pull the plunger handle out fully.

5.2.3. Reassemble the gun head to the container tube. Press the catch plate and release the plunger rod. Push down on the plunger handle.

5.3. Loading with Filler Pump (fig. 3)

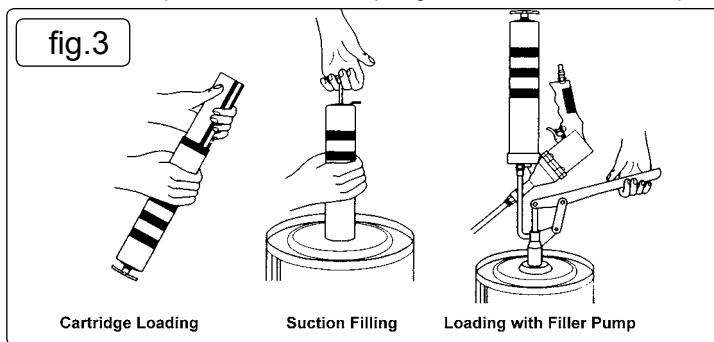
5.3.1. Fully draw back the plunger handle.

5.3.2. Insert filler plug into filler pump socket.

5.3.3. Operate the filler pump to fill the container tube.

5.3.4. Disconnect the grease gun from the filler pump.

5.3.5. Press the catch plate and release the plunger rod. Push down on the plunger handle.



6. MAINTENANCE

- ❑ **WARNING!** Disconnect gun from air supply before changing accessories, servicing or performing maintenance. Replace or repair damaged parts. *Use genuine parts only. Unapproved parts may be dangerous and will invalidate the warranty.*

6.1. Lubricate the air tool daily with a good grade of air tool oil such as Sealey ATO/500 or ATO/1000. If the compressed air system has no oiler, a few drops of oil can be poured into the air inlet of the gun each day.

6.2. When not in use, disconnect from air supply, clean and store in a safe, dry, childproof location.

Note: Faults in the compressed air system may cause loss of power or erratic action. Reduced compressor output, excessive drain on the air line, moisture or restrictions in air pipes or the use of hose connectors of incorrect size may reduce the air supply.

Grit or gum deposits in the tool will reduce power and may be removed by flushing out the gun with gum solvent oil or an equal mixture of SAE 10 oil and kerosene.

7. TROUBLESHOOTING

- ❑ **WARNING!** If the gun fails to work properly, it may be due to air pockets in the grease. To remove the air, unscrew the gun head 1 to 1½ turns and perform the following:

7.1. Draw back the plunger rod fully and release quickly. Repeat several times. This will exert the force required to move the plunger into the cartridge (which is essential for the grease gun to work). Push the plunger rod all the way in. Tighten the head to the barrel.

7.2. Press the air vent valve (11) several times to free the air.

Note: If the SA40 is used with cartridges for a long period, it is possible that the rubber plunger (15) may be damaged. If it is, then if used with dispenser or bulk filling, the plunger may allow grease to seep from the bottom of the container tube (18). To prevent this happening, use only one type of fill method for each gun.



ENVIRONMENT PROTECTION

Recycle unwanted materials instead of disposing of them as waste. All tools, accessories and packaging should be sorted, taken to a recycling centre and disposed of in a manner which is compatible with the environment. When the product becomes completely unserviceable and requires disposal, drain any fluids (if applicable) into approved containers and dispose of the product and fluids according to local regulations.

Note: It is our policy to continually improve products and as such we reserve the right to alter data, specifications and component parts without prior notice.

Important: No Liability is accepted for incorrect use of this product.

Warranty: Guarantee is 12 months from purchase date, proof of which is required for any claim.

Sealey Group, Kempson Way, Suffolk Business Park, Bury St Edmunds, Suffolk. IP32 7AR



01284 757500



01284 703534



sales@sealey.co.uk



www.sealey.co.uk