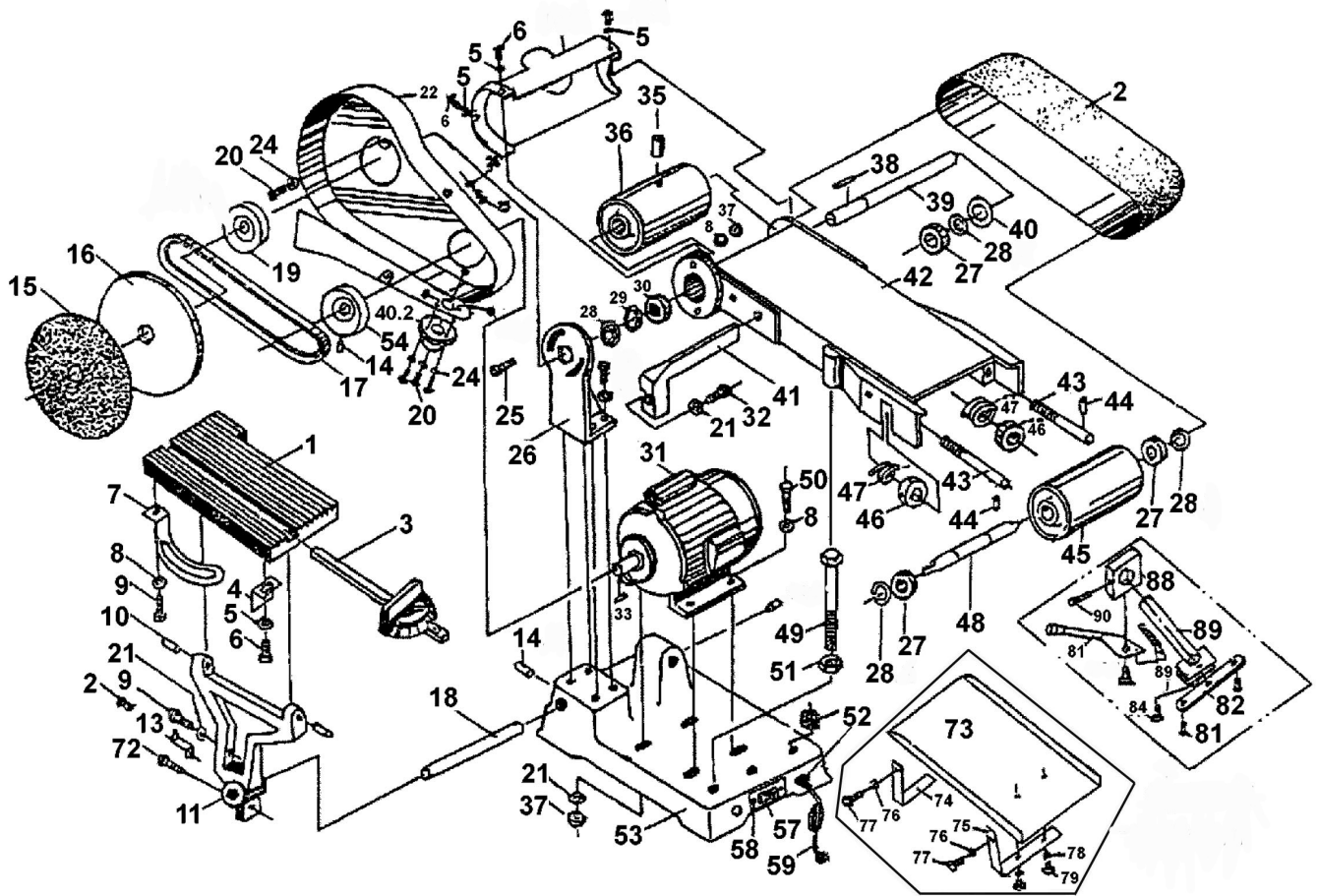




Parts Information:
Belt/Disc Sander Floor Standing 1220 x
150mm/Ø230mm
Model No: SM15.V2



NOTE: It is our policy to continually improve products and as such we reserve the right to alter data, specifications and component parts without prior notice.

IMPORTANT: No liability is accepted for incorrect use of product.

WARRANTY: Guarantee is 12 months from purchase date, proof of which will be required for any claim.

Sealey Group, Kempson Way, Suffolk Business Park, Bury St Edmunds, Suffolk. IP32 7AR



01284 757500



01284 703534



sales@sealey.co.uk



www.sealey.co.uk

Item	Part No.	Description
1	SM15C/01	TABLE
2	SM15/B080G	SANDING BELT 80GRIT 150 x 1220mm
--	SM15/B100G	SANDING BELT 100GRIT 150 x 1220mm (NOT SHOWN)
3	SM15C/03	MITRE GAUGE
4	SM15C/04	TABLE MOUNT
5	SM15C/05	WASHER 5MM
6	MSP56.S	MACHINE SCREW PAN HEAD PHILLIPS M5x6mm
7	SM15C/07	ANGLE GAUGE
8	FWM8.S	FLAT WASHER M8 SINGLE
9	SS820.S	HEX HEAD SET SCREW M8x20mm SINGLE
10	SM15C/10	PIN
11	SM15C/11	TABLE SUPPORT BRACKET
12	MSP512.S	MACHINE SCREW PAN HEAD PHILLIPS M5x12mm
13	SM15C/13	POINTER
14	SM15C/14	M8X12 GRUB SCREW SLOT HEAD
15	SM15/D80G-9	DISC, 80G 230mm (9"dia) PSA
16	SM15C/16	ALUMINIUM BACKING PAD (d:225MM)
17	V/A25	V-BELT (ID-630) A25
18	SM15C/18	SUPPORT BAR
19	SM15C/19	PULLEY 15MM
20	SM15C/20	SCREW, M8 X 12 HEX HEAD SET BZP
21	SWM8.SB	SPRING WASHER M8 BLACK(SINGLE)
22	SM15C/22	PULLEY COVER
23	SS832.S	HEX HEAD SET SCREW M8x32mm SINGLE
24	SM15C/24	WASHER 5MM
25	MSP612.S	MACHINE SCREW PAN HEAD PHILLIPS M6x12mm
26	SM15C/26	BRACKET
27	B/6201Z	BEARING 6201Z
28	SM15C/28	RETAINING RING S15
29	SM15C/29	C SNAP RING S35
30	B/6202ZZ	BEARING 6202ZZ
31	SM15C/31	MOTOR
32	SM15C/32	SCREWSCREW M8X25
33	SM15C/33	KEY 5X5X20
34	SM15C/34	TUBE
35	SM15C/35	GRUB SCREW M8X20
36	SM15C/36	DRIVING ROLLER
37	SN8.S	STEEL NUT M8 ZINC DIN934 (SINGLE)
38	SM15C/38	KEY B5X30
39	SM15C/39	DRIVING ROLLER SHAFT
40	SM15C/40	SAFETY COVER
40.2	SM15C/40.2	DISC DUST CHUTE
41	SM15C/41	BACK STOP
42	SM15C/42	SAND BELT FRAME
43	SM15C/43	ROLLER ADJUST BAR

Item	Part No.	Description
44	SM15C/44	SPRING PIN
45	SM15C/45	IDLER ROLER
46	SM15C/46	KNOB
47	SM15C/47	SPRING
48	SM15C/48	IDLER ROLLER SHAFT
49	SM15C/49	SUPPORT BOLT M16X220
50	SM15C/50	BOLT M8X30
51	SN16.S	STEEL NUT M16 ZINC DIN934(SINGLE)
52	SM15C/52	CORD CLAMP
53	SM15C/53	BASE (LSA)
54	SM15C/54	PULLEY 16MM
55	SM15C/55	HEX WRENCH
56	SM15C/56	HEX WRENCH
57	SM15C/57	SWITCH
--	SM15C.57-1	SWITCH BOX (NOT SHOWN)
58	SM15C/58	P H SCREW
59	SM15C/59	POWER CORD
60	SM15C/60	ROLLER ADJUST BODY
61	SM15C/61	STAND
62	SM15C/62	STAND PLATE
63	CBN810.S	COACH BOLT M8X10
64	SM15C/64	RUBBER
65	FWM8.S	FLAT WASHER M8 SINGLE
66	SS825.S	HEX HEAD SET SCREW M8x25mm SINGLE
67	SN8.S	STEEL NUT M8 ZINC DIN934 (SINGLE)
68	SN8.S	STEEL NUT M8 ZINC DIN934 (SINGLE)
69	SM15C/69	FRAME
70	RW825.S	REPAIR WASHER M8x25 (SINGLE)
71	SS816.S	HEX HEAD SET SCREW M8x16mm SINGLE
72	SCB820.SB	SOCKET HEAD CAP SCREW M8x20 BLACK
73	SM15C/73	PLATE
74	SM15C/74	SUPPORT
75	SM15C/75	SUPPORT
76	RW825.S	REPAIR WASHER M8x25 (SINGLE)
77	SM15C/77	SCREW M8X12
78	RW619.S	REPAIR WASHER M6x19 (SINGLE)
79	SM15C/79	KNOB
80	SM15C/80	WASHER 5MM
81	MSP518.S	MACHINE SCREW PAN HEAD PHILLIPS M5x18mm
82	SM15C/82	ROCKER SHAFT
83	SM15C/83	ROCK ARM
84	SM15C/84	KNOB
88	SN10.S	STEEL NUT M10 ZINC DIN934(SINGLE)
89	SM15C/89	TUBE
--	C/150-250	CAPACITOR,150mfd-250VAC 60x35 (NOT SHOWN)
--	SM15C/40.1	DRIVING ROLLER COVER (NOT SHOWN)
--	SM15C.S	STAND ASSEMBLY FOR SM15 (NOT SHOWN)

NOTE: It is our policy to continually improve products and as such we reserve the right to alter data, specifications and component parts without prior notice.

IMPORTANT: No liability is accepted for incorrect use of product.

WARRANTY: Guarantee is 12 months from purchase date, proof of which will be required for any claim.

Sealey Group, Kempson Way, Suffolk Business Park, Bury St Edmunds, Suffolk. IP32 7AR



01284 757500



01284 703534



sales@sealey.co.uk



www.sealey.co.uk