



INSTRUCTIONS FOR FLOOR STANDING BELT/DISC SANDER

MODEL NO: **SM15.V2**

Thank you for purchasing a Sealey product. Manufactured to a high standard, this product will, if used according to these instructions, and properly maintained, give you years of trouble free performance.

IMPORTANT: PLEASE READ THESE INSTRUCTIONS CAREFULLY. NOTE THE SAFE OPERATIONAL REQUIREMENTS, WARNINGS & CAUTIONS. USE THE PRODUCT CORRECTLY AND WITH CARE FOR THE PURPOSE FOR WHICH IT IS INTENDED. FAILURE TO DO SO MAY CAUSE DAMAGE AND/OR PERSONAL INJURY AND WILL INVALIDATE THE WARRANTY. KEEP THESE INSTRUCTIONS SAFE FOR FUTURE USE.



Refer to instruction manual



Wear eye protection



Wear a mask



Wear ear protection

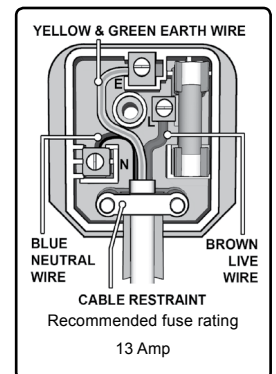


Wear protective gloves

1. SAFETY

1.1. ELECTRICAL SAFETY

- WARNING!** It is the user's responsibility to check the following:
 - Check all electrical equipment and appliances to ensure that they are safe before using. Inspect power supply leads, plugs and all electrical connections for wear and damage. Sealey recommend that an RCD (Residual Current Device) is used with all electrical products. You may obtain an RCD by contacting your local Sealey dealer.
 - If the product is used in the course of business duties, it must be maintained in a safe condition and routinely PAT (Portable Appliance Test) tested.
 - Electrical safety information, it is important that the following information is read and understood.
- 1.1.1. Ensure that the insulation on all cables and on the appliance is safe before connecting it to the power supply.
- 1.1.2. Regularly inspect power supply cables and plugs for wear or damage and check all connections to ensure that they are secure.
- 1.1.3. **Important:** Ensure that the voltage rating on the appliance suits the power supply to be used and that the plug is fitted with the correct fuse - see fuse rating in these instructions.
 - * **DO NOT** pull or carry the appliance by the power cable.
 - * **DO NOT** pull the plug from the socket by the cable.
 - * **DO NOT** use worn or damaged cables, plugs or connectors. Ensure that any faulty item is repaired or is replaced immediately by a qualified electrician.
- 1.1.4. This product is fitted with a BS1363/A 13 Amp 3 pin plug.
 - If the cable or plug is damaged during use, switch the electricity supply and remove from use.
 - Ensure that repairs are carried out by a qualified electrician.
 - Replace a damaged plug with a BS1363/A 13 Amp 3 pin plug. If in doubt contact a qualified electrician.
 - a) Connect the GREEN/YELLOW earth wire to the earth terminal 'E'.
 - b) Connect the BROWN live wire to the live terminal 'L'.
 - c) Connect the BLUE neutral wire to the neutral terminal 'N'.
 - Ensure that the cable outer sheath extends inside the cable restraint and that the restraint is tight.
 - Sealey recommend that repairs are carried out by a qualified electrician.



1.2. GENERAL SAFETY

- WARNING** Disconnect the sander from the power source before servicing, changing accessories or performing any maintenance.
- ✓ Only use for woodworking.
- ✓ Familiarise yourself with the applications, limitations and potential hazards of the sander.
- ✓ Use original Sealey spare parts only. Unauthorised parts may be dangerous and will invalidate the warranty.
- ✓ Keep all guards and holding screws in place, tight and in working order. Check regularly for damaged parts. A guard or any other part that is damaged should be repaired or replaced before the tool is next used.
- ✓ Install the sander in a suitable work area. Keep area free from unrelated materials and ensure that there is good lighting.
- ✓ Remove any adjusting keys and wrenches from the machine before operating.
- ✓ Wear approved eye and ear protection when operating the machine. If dust is produced, wear an approved face or dust mask. A complete range of approved safety products is available from your Sealey dealer.
- ✓ Keep correct footing and balance at all times and ensure that the floor is not slippery. Wear non-slip shoes.
- ✓ Keep children and unauthorised persons away from the work area, especially when the tool is in operation. Keep the area childproof by using padlocks and master switches.
- ✓ Support the workpiece with the backstop or work table.
- ✓ Maintain no more than 1/16" (1.5mm) of clearance between the table and sanding belt or disc.
- ✓ Feed the workpiece against the rotation of tee sander. Hold the workpiece firmly so that it is not pulled from your hands.
- ✓ Maintain the sander in good condition.
- * **DO NOT** use the sander for any task other than that for which it is designed - sanding wood.
- * **DO NOT** wear loose or ill-fitting clothing. Remove ties, watches, rings and other jewellery. Tie up, or adequately cover, long hair.
- * **DO NOT** use this machine in wet or damp locations.
- * **DO NOT** use the sander in areas where fumes from paint, solvents or flammable liquids pose a hazard. Dispose of all flammable material according to local regulations.
- * **DO NOT** attempt to sand a workpiece that is too small to be safely held by hand.
- * **DO NOT** stand on the machine.
- * **DO NOT** leave the sander running unattended. Turn it off and do not leave the area until the disc/belt has come to a complete stop.

- × **DO NOT** use the sander whilst under the influence of drugs, alcohol or intoxicating medication.
- × **DO NOT** use the sander if you are tired. assembly

2. INTRODUCTION

Fitted with heavy-duty induction motor. Sanding disc table tilts up to 45° and is supplied With mitre gauge for accurate angle sanding. Belt can be used horizontally, vertically or Any angle in between. Suitable for general woodworking applications and supplied With floor stand.

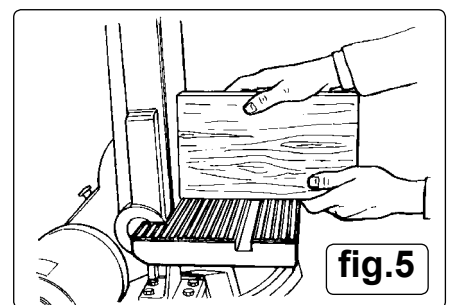
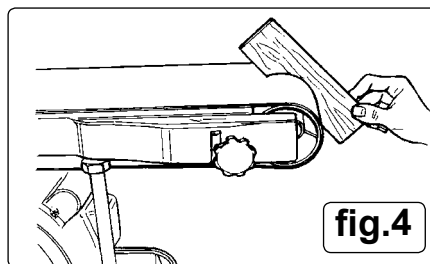
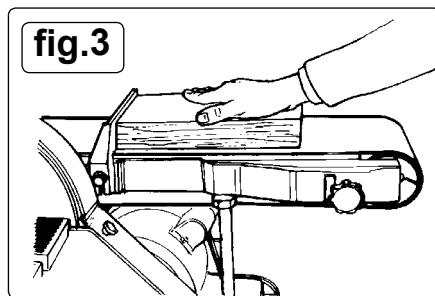
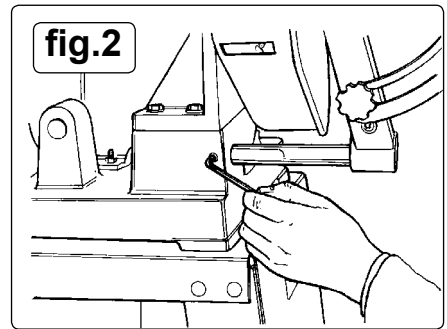
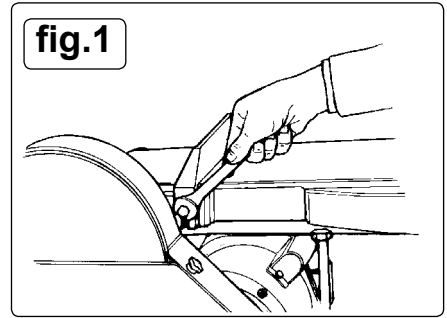
3. SPECIFICATION

Model no	SM15.V2
Belt Size	1220mm x 150mm
Belt Speed	330m/min
Disc Ø	230mm
Disc Speed	1400rpm
Table Size	314 x 157mm
Table Tilt	0°-45°
Motor	550W - 230V
Dimensions	(H x W x L) 995 x 455 x 715mm
Weight	52kg
Replacement sanding belts:	
SM15/B080G	80grit
SM15/B100G	100grit
Replacement sanding disc:	
SM15/D80G	80grit

4. ASSEMBLY & SETUP

Use the parts diagram at the back of these instructions to assist in assembly.

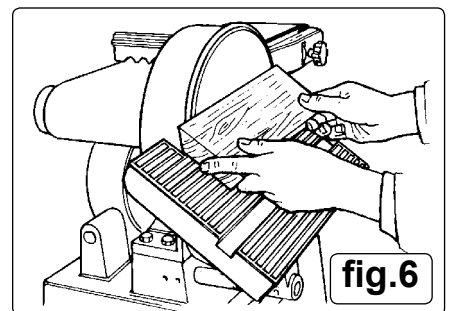
- 4.1. Carefully unpack the contents and check that the following items are included:
- 4.2. Sander Body, Work Table, Mitre Gauge, Stand Panel, Stand Bracket, Stand Plate, Nuts, Bolts and Washers, Rubber Feet, Hex Key and Backstop. If any items are missing or damaged, contact your Sealey stockist.
- 4.3. Attach the rubber feet to the bottom of the two stand panels.
- 4.4. Attach the two stand brackets to the stand frame with the screws and nuts provided. **DO NOT** tighten the screws until after the stand is completely assembled.
- 4.5. Attach the stand plate to the stand panels.
- 4.6. Tighten all screws on the stand.
- 4.7. Mount the sander to the stand plate with the bolts and nuts provided.
- 4.8. Mount the backstop (41) on the sander (fig. 1). The backstop will help support the workpiece while sanding.
- 4.9. Assemble table (1) to support bracket (11) and attach angle gauge (7), pointer (13) and support bar (18).
- 4.10. Attach the worktable assembly by loosening the set screw (14) (fig 2). Insert the table rod (18) into the hole with the flat surface of the shaft facing the set screw. Tighten the set screw. Note that you should leave a space of no more than 1.5mm (1/16") between the table and the sanding disc.



5. OPERATION

This sander is designed for sanding wooden workpieces held by hand. If used for any other purpose.

- 5.1. Ensure that the sander is disconnected from the power supply.
- 5.2. Make any adjustments to suit the work as described in Section 5.
- 5.3. Connect the sander to the power supply and turn it on.
- 5.4. Horizontal sanding - Place the workpiece on the belt. Hold it in place with both hands and use the backstop for support (fig 3). **DO NOT** apply excessive pressure to the belt.
- 5.5. Curve sanding - Use the very end of the belt to sand curves (fig 4).
- 5.6. Vertical sanding - With the sanding arm in the vertical position, use the backstop and table to help support the workpiece (fig 5).
- 5.7. Disc sanding - Use the sanding disc for end grain sanding, bevel sanding from 0°-45° (fig 6) or angle sanding (using the mitre gauge) from 0°-60° (fig 7).
- 5.8. When work is completed, turn off the sander and disconnect it from the power supply.



6. ADJUSTMENTS

❑ **WARNING - BEFORE MAKING ANY ADJUSTMENTS, DISCONNECT THE SANDER FROM THE POWER SUPPLY!**

6.1. Sanding belt replacement:

- 6.1.1. Loosen the two knobs (46) and move lever (84) to the right to remove tension from belt.
- 6.1.2. Remove the old belt and replace with a new one.
- 6.1.3. Tighten the tension by moving lever fully to the left. Fully tighten knobs (46).

6.2. Sanding belt tracking:

- 6.2.1. To adjust belt tracking loosen knobs (46) and adjust tracking knob (46A) while rotating belt by hand.
- 6.2.2. When tracking is correct tighten knobs (46) and check with motor running.

6.3. Sanding disc replacement:

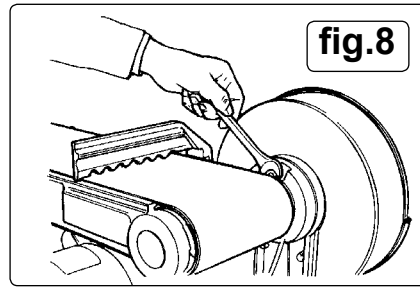
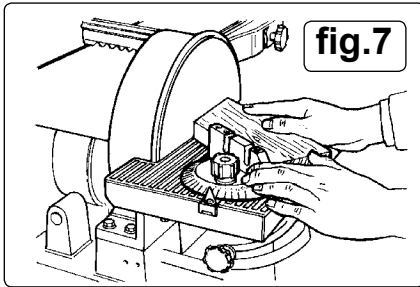
- 6.3.1. Remove table assembly and open pulley cover (22).
- 6.3.2. Tear off the old sanding paper and clean off any glue remaining on the disc.
- 6.3.3. Attach new sanding paper, close pulley cover and replace table assembly.

6.4. Table adjustment (0° to 45°):

- 6.4.1. Loosen the screw (20) which clamps the angle gauge (7).
- 6.4.2. Adjust the table to the desired angle and tighten the screw.

6.5. Sanding arm vertical adjustment:

- 6.5.1. Remove safety cover (40) and loosen the two nuts (37), see fig. 8. Only one nut is visible in the illustration.
- 6.5.2. Raise the arm to the vertical position and tighten the nuts.
- 6.5.3. Fit table assembly to support post on base.



WEEE REGULATIONS

Dispose of this product at the end of its working life in compliance with the EU Directive on Waste Electrical and Electronic Equipment (WEEE). When the product is no longer required, it must be disposed of in an environmentally protective way. Contact your local solid waste authority for recycling information.



ENVIRONMENT PROTECTION

Recycle unwanted materials instead of disposing of them as waste. All tools, accessories and packaging should be sorted, taken to a recycling centre and disposed of in a manner which is compatible with the environment. When the product becomes completely unserviceable and requires disposal, drain any fluids (if applicable) into approved containers and dispose of the product and fluids according to local regulations.

Note: It is our policy to continually improve products and as such we reserve the right to alter data, specifications and component parts without prior notice.

Important: No Liability is accepted for incorrect use of this product.

Warranty: Guarantee is 12 months from purchase date, proof of which is required for any claim.

Sealey Group, Kempson Way, Suffolk Business Park, Bury St Edmunds, Suffolk. IP32 7AR



01284 757500



01284 703534



sales@sealey.co.uk



www.sealey.co.uk