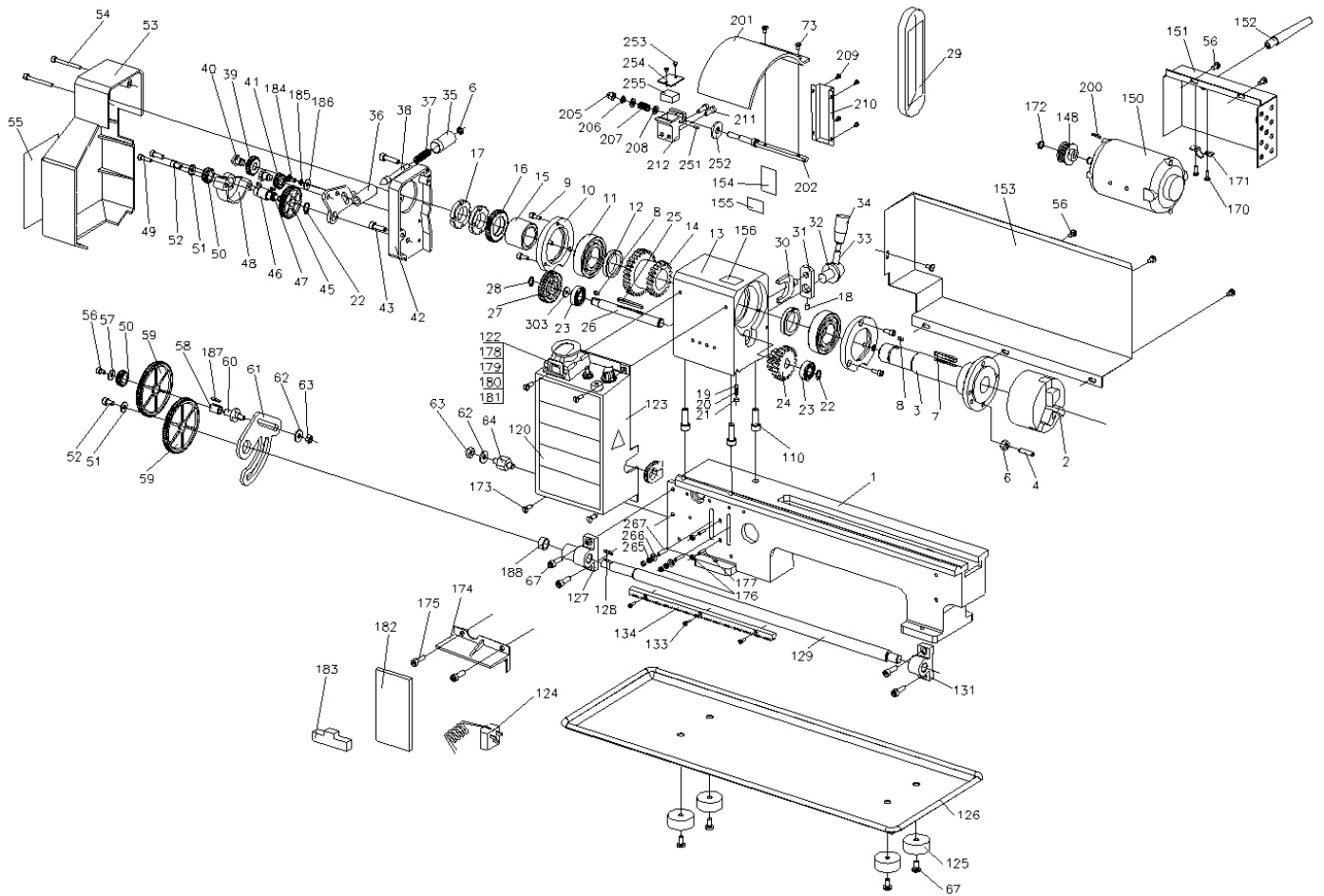


Parts Information:
Metalworking Lathe 300mm Between Centres
Model No: SM3002.V2



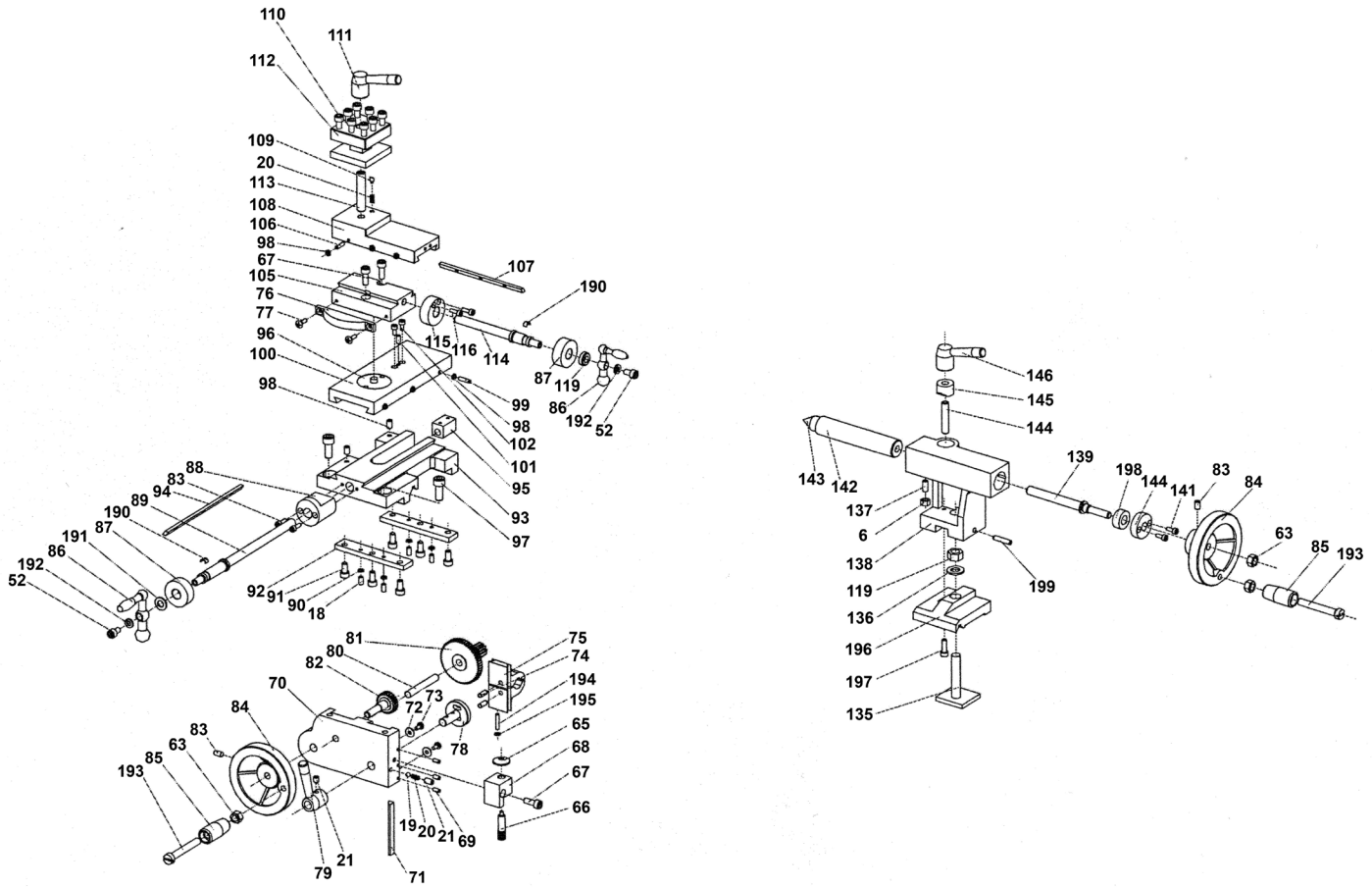
NOTE: It is our policy to continually improve products and as such we reserve the right to alter data, specifications and component parts without prior notice.

IMPORTANT: No liability is accepted for incorrect use of product.

WARRANTY: Guarantee is 12 months from purchase date, proof of which will be required for any claim.



Parts Information:
Metalworking Lathe 300mm Between
Centres
Model No: SM3002.V2



NOTE: It is our policy to continually improve products and as such we reserve the right to alter data, specifications and component parts without prior notice.

IMPORTANT: No liability is accepted for incorrect use of product.

WARRANTY: Guarantee is 12 months from purchase date, proof of which will be required for any claim.

Sealey Group, Kempson Way, Suffolk Business Park, Bury St Edmunds, Suffolk. IP32 7AR



01284 757500



01284 703534



sales@sealey.co.uk



www.sealey.co.uk



Parts Information:
**Metalworking Lathe 300mm Between
Centres**
Model No: SM3002.V2

| Item | Part No. | Description |
|------|------------|-----------------------------------|
| 1 | SM3002.001 | BASE |
| 2 | SM3002.002 | 3 JAW CHUCK (INCLUDES 1 KEY) |
| 3 | SM3002.003 | SPINDLE |
| 4 | SCB625.SB | SOCKET HEAD CAP SCREW M6x25 BLACK |
| 6 | SN6.S | STEEL NUT M6 ZINC DIN934 (SINGLE) |
| 7 | SM3002.007 | KEY M5*40 |
| 8 | SM3002.008 | KEY M4*8 |
| 9 | SCB512.SB | SOCKET HEAD CAP SCREW M5x12 BLACK |
| 10 | SM3002.010 | COVER |
| 12 | SM3002.012 | SPACER |
| 13 | SM3002.013 | HEAD STOCK CASTING |
| 14 | SM3002.014 | H/L GEAR 21T/29T |
| 15 | SM3002.015 | SPACER |
| 16 | SM3002.016 | SPUR GEAR 45T |
| 17 | SM3002.017 | HALF NUT M27*1.5 |
| 18 | SM3002.018 | SET SCREW M5*8 |
| 19 | SB-5.6 | STEEL BALL 5.6mm |
| 20 | SM3002.020 | COMPRESSION SPRING (SET OF 3) |
| 21 | GSM812.S | GRUB SCREW M8x12 (SINGLE) |
| 22 | SM3002.022 | RETAINING RING M12 |
| 23 | B/6201ZZ | BEARING 6201ZZ |
| 24 | SM3002.024 | H/L GEAR 12T/20T |
| 25 | SM3002.025 | PARALLEL KEY M4*45 |
| 26 | SM3002.026 | H/L GEAR SHAFT |
| 27 | SM3002.027 | PULLEY |
| 28 | SM3002.028 | RETAINING RING M10 |
| 29 | SM3002.029 | TIMING BELT,RIBBED (L136) |
| 30 | SM3002.030 | SHIFTING FORK |
| 31 | SM3002.031 | SHIFTING ARM |
| 32 | SM3002.032 | SHIFTING KNOB |
| 33 | SM3002.033 | SHIFTING LEVER |
| 34 | SM3002.034 | SHIFTING GRIP |
| 35 | SM3002.035 | HANDLE |
| 36 | SM3002.036 | HANDLE MOUNT |

| Item | Part No. | Description |
|------|------------|--|
| 37 | SM3002.037 | SPRING |
| 38 | SM3002.038 | INDICATOR |
| 39 | SM3002.039 | PINION 25T |
| 40 | SM3002.040 | SUPPORT SCREW |
| 41 | SM3002.041 | PINION 20T |
| 42 | SM3002.042 | FIXED COVER |
| 43 | GSM625.S | GRUB SCREW M6x25 (SINGLE) |
| 44 | MSP510.S | MACHINE SCREW PAN HEAD PHILLIPS M5x10mm |
| 45 | SM3002.045 | GEAR 45T |
| 46 | SM3002.046 | SHAFT |
| 47 | SM3002.047 | PARALLEL KEY 3*8 |
| 48 | SM3002.048 | MOUNT |
| 49 | SCB518.SB | SOCKET HEAD CAP SCREW M5x18 BLACK |
| 50 | SM3002.050 | PINION 20T |
| 51 | RW619.S | REPAIR WASHER M6x19 (SINGLE) |
| 52 | SM3002.052 | SCREW M6*8 |
| 53 | SM3002.053 | COVER |
| 54 | SCB545.SB | SOCKET HEAD CAP SCREW M5x45 BLACK |
| 56 | SCB58.SB | SOCKET HEAD CAP SCREW M5x8 BLACK |
| 57 | SM3002.057 | WASHER M4x15mm O.D |
| 58 | SM3002.058 | BUSH W/KEY |
| 59 | SM3002.059 | GEAR 80T |
| 60 | SM3002.060 | SHAFT |
| 61 | SM3002.061 | SUPPORT PLATE |
| 62 | SM3002.062 | WASHER M8 |
| 63 | SN8.S | STEEL NUT M8 ZINC DIN934 (SINGLE) |
| 64 | SM3002.064 | SHAFT |
| 65 | SM3002.065 | DIAL 16T |
| 66 | SM3002.066 | SHAFT |
| 67 | SM3002.067 | SCREW M6*16 |
| 68 | SM3002.068 | DIAL INDICATOR BODY |
| 69 | SM3002.069 | SET SCREW M4*10 |
| 70 | SM3002.070 | APRON |

NOTE: It is our policy to continually improve products and as such we reserve the right to alter data, specifications and component parts without prior notice.

IMPORTANT: No liability is accepted for incorrect use of product.

WARRANTY: Guarantee is 12 months from purchase date, proof of which will be required for any claim.

Sealey Group, Kempson Way, Suffolk Business Park, Bury St Edmunds, Suffolk. IP32 7AR



01284 757500



01284 703534



sales@sealey.co.uk



www.sealey.co.uk



Parts Information:
**Metalworking Lathe 300mm Between
Centres**
Model No: SM3002.V2

| Item | Part No. | Description |
|------|-------------|--|
| 71 | SM3002.071 | GIB STRIP |
| 72 | SM3002.072 | REPAIR WASHER M4x12 |
| 73 | MSP48.SB | MACHINE SCREW PAN HEAD PHILLIPS M4x8mm BLACK |
| 74 | SM3002.074 | SHAFT |
| 75 | SM3002.075 | HALF NUT |
| 76 | SM3002.076 | ANGLE BLOCK |
| 77 | SM3002.077 | SCREW M4*10 |
| 78 | SM3002.078 | GROOVE CAM |
| 79 | SM3002.079 | HANDLE |
| 80 | SM3002.080 | SHAFT |
| 81 | SM3002.081 | FEEDING GEAR (A) 11T/54T |
| 82 | SM3002.082 | FEEDING GEAR (B) 24T |
| 83 | SM3002.083 | SCREW M6*10 |
| 84 | SM3002.084 | WHEEL |
| 85 | SM3002.085 | KNOB + SCREW M8*55 & NUT M8 |
| 86 | SM3002.086A | HANDLE |
| 87 | SM3002.087 | DIAL (SO) |
| 88 | SM3002.088 | BRACKET |
| 89 | SM3002.089 | FEEDING SCREW (SO) |
| 90 | SN5.S | STEEL NUT M5 ZINC DIN934 (SINGLE) |
| 91 | SCB610.SB | SOCKET CAP BOLT BLACK M6X10 |
| 92 | SM3002.092 | SLIDE PLATE |
| 93 | SM3002.093 | SADDLE |
| 94 | SM3002.094 | GIB STRIP |
| 95 | SM3002.095 | BRASS FEEDING NUT |
| 96 | SM3002.096 | SWIVEL DISK |
| 97 | SM3002.097 | SCREW M8*20 |
| 98 | SN4.S | STEEL NUT M4 ZINC DIN934 (SINGLE) |
| 99 | SM3002.099 | SCREW M4*16 |
| 100 | SM3002.100 | CROSS SLIDE |

| Item | Part No. | Description |
|------|------------|-----------------------------------|
| 101 | GSM510.S | GRUB SCREW M5x10 (SINGLE) |
| 102 | SM3002.102 | SCREW M4*8(SO) |
| 105 | SM3002.105 | COMPOUND REST (B)(SO) |
| 106 | SM3002.106 | SCREW M4*14 |
| 107 | SM3002.107 | GIB STRIP |
| 108 | SM3002.108 | COMPOUND REST (A)(SO) |
| 109 | SM3002.109 | POSITIONING PIN |
| 110 | SCB625.SB | SOCKET HEAD CAP SCREW M6x25 BLACK |
| 111 | SM3002.111 | CLAMPING LEVER |
| 112 | SM3002.112 | TOOL REST |
| 113 | SM3002.113 | STUD |
| 114 | SM3002.114 | CROSS FEEDING SCREW |
| 115 | SM3002.115 | BRACKET (SO) |
| 116 | SM3002.116 | SCREW M4*12 |
| 119 | SM3002.119 | SPACER |
| 123 | SM3002.123 | CONTROL BOX |
| 125 | SM3002.125 | RUBBER FOOT |
| 126 | SM3002.126 | CHIP TRAY |
| 127 | SM3002.127 | BRACKET |
| 128 | SM3002.128 | KEY M3*16 |
| 129 | SM3002.129 | LEAD SCREW |
| 131 | SM3002.131 | BRACKET |
| 133 | SCB310.SB | SOCKET HEAD CAP SCREW M3x10 BLACK |
| 134 | SM3002.134 | RACK |
| 135 | SM3002.135 | CLAMP PLATE |
| 136 | FWM10.S | FLAT WASHER M10 SINGLE |
| 137 | SCB516.SB | SOCKET HEAD CAP SCREW M5x16 BLACK |
| 138 | SM3002.138 | TAILSTOCK CASTING |
| 139 | SM3002.139 | TAILSTOCK SCREW |
| 140 | SM3002.140 | BRACKET |

NOTE: It is our policy to continually improve products and as such we reserve the right to alter data, specifications and component parts without prior notice.

IMPORTANT: No liability is accepted for incorrect use of product.

WARRANTY: Guarantee is 12 months from purchase date, proof of which will be required for any claim.

Sealey Group, Kempson Way, Suffolk Business Park, Bury St Edmunds, Suffolk. IP32 7AR



01284 757500



01284 703534



sales@sealey.co.uk



www.sealey.co.uk



Parts Information:
**Metalworking Lathe 300mm Between
 Centres**
Model No: SM3002.V2

| Item | Part No. | Description |
|------|---------------|--|
| 141 | SCB410.SB | SOCKET HEAD CAP SCREW M4x10 BLACK |
| 142 | SM3002.142 | TAILSTOCK QUILL |
| 143 | SM3002.143 | CENTRE |
| 144 | SM3002.144 | STUD M8*40 |
| 145 | SM3002.145 | CLAMP |
| 146 | SM3002.146 | HANDLE |
| 148 | SM3002.148 | PULLEY |
| 150 | SM3002.150 | MOTOR |
| 151 | SM3002.151 | COVER |
| 152 | SM3002.152 | CABLE GLAND |
| 153 | SM3002.153 | REAR SPLASH GUARD |
| 168 | SM3002-V2.168 | RUBBER PAD |
| 169 | SM3002-V2.169 | BRACING |
| 170 | MSP48.S | MACHINE SCREW PAN HEAD PHILLIPS M4x8mm |
| 171 | SM3002-V2.171 | CLAMP BLOCK |
| 172 | SM3002-V2.172 | CHECK RING |
| 173 | SM3002-V2.173 | SCREW M5*10 |
| 174 | SM3002-V2.174 | PROTECTOR |
| 175 | MSP510.SB | MACHINE SCREW PAN HEAD PHILLIPS M5x10mm |
| 176 | SN6.S | STEEL NUT M6 ZINC DIN934 (SINGLE) |
| 177 | GSM625.S | GRUB SCREW M6x25 (SINGLE) |
| 178 | SM3002.170 | EMERGENCY STOP SWITCH |
| 179 | SM3002.163 | FUSE BOX |
| 180 | SM3002-V2.180 | VARIABLE SPEED CONTROL KNOB C/W POTENTIO |
| 181 | SM3002.169 | F/O/R SWITCH |
| 182 | SM3002.164-N | PC BOARD |
| 183 | SM3002.165 | FILTER |
| 184 | MSP510.SB | MACHINE SCREW PAN HEAD PHILLIPS M5x10mm |
| 185 | SWM5.S | SPRING WASHER M5 ZINC (SINGLE) |
| 186 | RW519.S | REPAIR WASHER M5x19 (SINGLE) |
| 187 | SM3002-V2.187 | KEY 3*16 |
| 188 | SM3002-V2.188 | SPACER |
| 189 | SM3002-V2.189 | OIL FITTING |
| 190 | SM3002-V2.190 | SPRING |
| 191 | SM3002-V2.191 | WASHER |
| 192 | SWM6.S | SPRING WASHER M6 ZINC (SINGLE) |
| 193 | SM3002-V2.193 | SCREW M8*55 |

| Item | Part No. | Description |
|------|---------------|--|
| 194 | SM3002-V2.194 | SCREW M4*38 |
| 195 | SN4.S | STEEL NUT M4 ZINC DIN934 (SINGLE) |
| 196 | SM3002-V2.196 | TAILSTOCK PLATE |
| 197 | SM3002-V2.197 | SCREW M5*16 |
| 198 | SM3002-V2.198 | FLANGE |
| 199 | SM3002-V2.199 | SCREW M5*25 |
| 200 | SM3002-V2.200 | KEY 3*12 |
| 201 | SM3002.V2-CG | CLEAR PLASTIC CHUCK GUARD |
| 202 | SM3002-V2.202 | HINGE |
| 203 | FWM4.S | FLAT WASHER M4 SINGLE |
| 204 | SN4.S | STEEL NUT M4 ZINC DIN934 (SINGLE) |
| 205 | SWM6.S | SPRING WASHER M6 ZINC (SINGLE) |
| 206 | RW619.S | REPAIR WASHER M6x19 (SINGLE) |
| 207 | GSM625.S | GRUB SCREW M6x25 (SINGLE) |
| 208 | FWM6.SB | FLAT WASHER M6 BLACK (SINGLE) |
| 209 | SCB34.SB | SOCKET HEAD CAP SCREW M3x4 BLACK |
| 210 | SM3002-V2.210 | SWITCH COVER |
| 211 | SCB516.SB | SOCKET HEAD CAP SCREW M5x16 BLACK |
| 212 | SM3002-V2.212 | FIXED COVER |
| 251 | SM3002-V2.251 | ROUND PIN |
| 252 | SM3002-V2.252 | ROTATE PLATE |
| 253 | SM3002-V2.253 | SCREW (2.9*4.5) |
| 254 | SM3002-V2.254 | COVER |
| 255 | SM3002-V2.255 | MICRO SWITCH |
| -- | SM3002CS11 | CUTTER SET 8 x 8mm 11pc (NOT SHOWN) |
| -- | SM3002CS2 | CUTTER SET 5pc for SM3002 (NOT SHOWN) |
| -- | SM3002CS5 | CUTTER SET 5pc 8 x 8mm (NOT SHOWN) |
| -- | SM3002CS6 | CUTTER SET 6pc 8 x 8mm (NOT SHOWN) |
| -- | SM3002FR | FOLLOW REST for SM3002 (NOT SHOWN) |
| -- | SM3002KTH | KNURLING TOOL for SM3002 (NOT SHOWN) |
| -- | SM3002LD | LATHE DOG for SM3002 (NOT SHOWN) |
| -- | SM3002MA | MILL ATTACHMENT for SM3002 (NOT SHOWN) |
| -- | SM3002QCCR | QUICK CHANGE POST for SM3002 (NOT SHOWN) |
| -- | SM3002RC | REVOLVING CENTRE MT2 (NOT SHOWN) |
| -- | SM3002SC | LIVE CENTRE MT3 (NOT SHOWN) |
| -- | SM3002SR | STEADY REST for SM3002 (NOT SHOWN) |
| -- | SM3002TC | TAILSTOCK CHUCK MT2 13mm (NOT SHOWN) |
| -- | SM30024JC | 4 JAW INDEPENDENT CHUCK (NOT SHOWN) |
| -- | SM3002-V2.180 | VARIABLE SPEED CONTROL KNOB C/W POTENTIO (NOT SHOWN) |

NOTE: It is our policy to continually improve products and as such we reserve the right to alter data, specifications and component parts without prior notice.

IMPORTANT: No liability is accepted for incorrect use of product.

WARRANTY: Guarantee is 12 months from purchase date, proof of which will be required for any claim.

Sealey Group, Kempson Way, Suffolk Business Park, Bury St Edmunds, Suffolk. IP32 7AR



01284 757500



01284 703534



sales@sealey.co.uk



www.sealey.co.uk