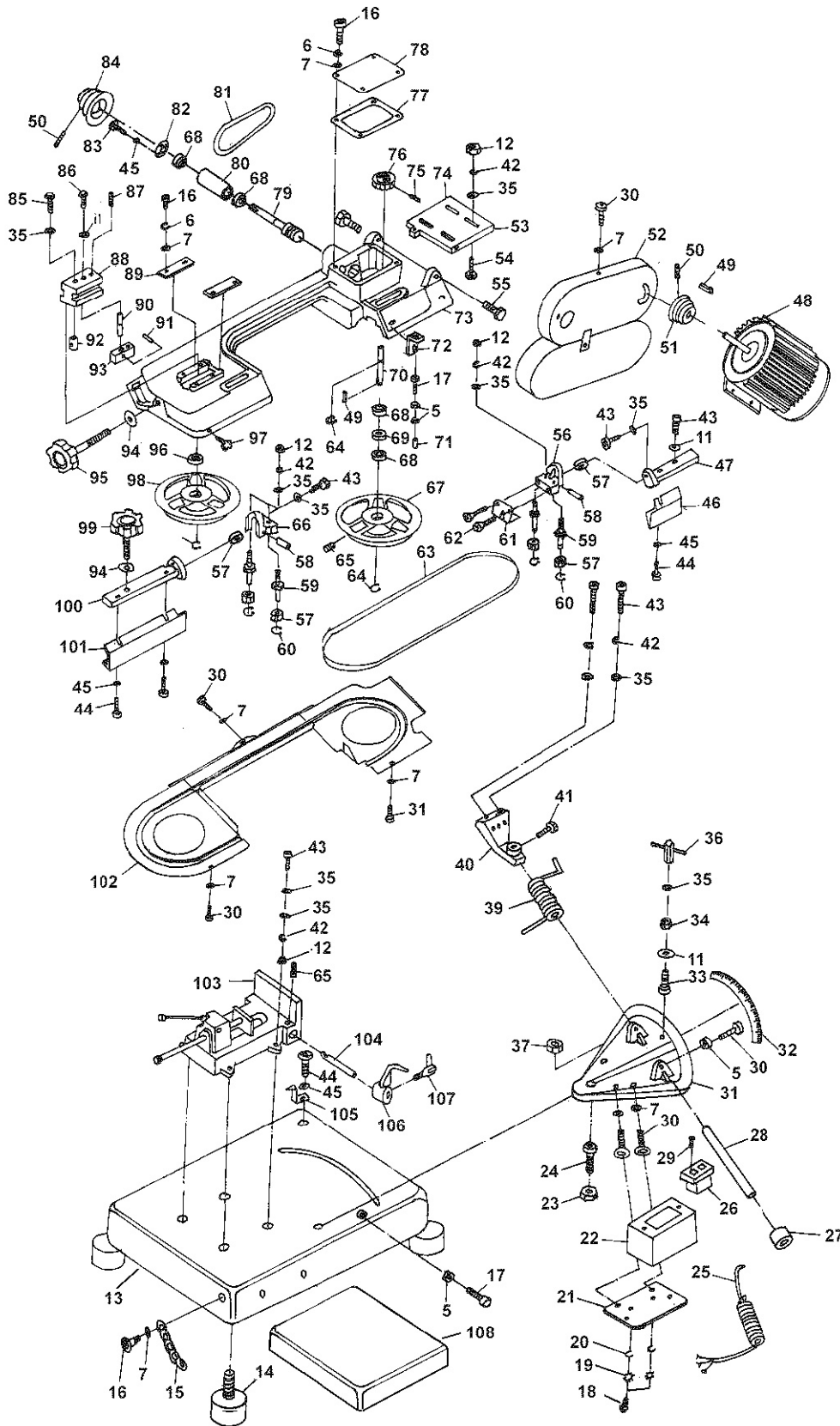


Parts Information:
**Metal Cutting Bandsaw 150mm 230V with
 Mitre & Quick Lock Vice**
Model No: SM65.V2



NOTE: It is our policy to continually improve products and as such we reserve the right to alter data, specifications and component parts without prior notice.

IMPORTANT: No liability is accepted for incorrect use of product.

WARRANTY: Guarantee is 12 months from purchase date, proof of which will be required for any claim.

Item	Part No.	Description
1 to 12	SM65.V2-01-12	STAND
13	SM65.V2-013	WORK TABLE
14	SM65.V2-014	PAD
15	SM65.V2-015	CHAIN
16	SM65.V2-016	SCREW
17	SM65.V2-017	SCREW
18	SM65.V2-018	SCREW
19	SM65.V2-019	STAR WASHER
20	SM65.V2-020	SPRING WASHER
21	SM65.V2-021	PLATE
22	SM65.V2-022	TERMINAL BOX
23	SM65.V2-023	NUT
24	SM65.V2-024	HEX BOLT
25	SM65.V2-025	CORD AND PLUG
26	SM65.V2-026	SWITCH
27	SM65.V2-027	TUBE (SO)
28	SM65.V2-028	CONNECTING AXLE
29	SM65.V2-029	RD HEAD S/T SCREW M3.6 X 10
30	SM65.V2-030	SCREW
31	SM65.V2-031	BEVEL HOLDER
32	SM65.V2-032	ANGLE LABEL
33	SM65.V2-033	BOLT
34	NLN10.S	NYLOC NUT M10 ZINC (SINGLE)
35	SM65.V2-035	WASHER
36	NLN10.S	NYLOC NUT M10 ZINC (SINGLE)
37	SM65.V2-037	NUT
39	SM65.V2-039	SPRING
40	SM65.V2-040	CONNECTING PLATE
41	SS820.S	HEX HEAD SET SCREW M8x20mm SINGLE
42	SM65.V2-042	SPRING WASHER
43	SM65.V2-043	SCREW
44	SM65.V2-044	SCREW
45	SM65.V2-045	WASHER
46	SM65.V2-046	LOWER GUARD PLATE
47	SM65.V2-047	LOWER ADJUSTING HOLDER
48	SM65.V2-048	MOTOR
49	SM65.V2-049	KEY
50	SM65.V2-050	SCREW
51	SM65.V2-051	PULLEY
52	SM65.V2-052	PULLEY COVER
53	SM65.V2-053	MOTOR PLATE
54	SM65.V2-054	BOLT
55	SS1225.S	HEX HEAD SET SCREW M12x25mm SINGLE
56	SM65.V2-056	LOWER GUARD HOLDER
57	B/629ZZ	BEARING 629ZZ
58	SM65.V2-058	KEY
59	SM65.V2-059	KEY
60	SM65.V2-060	RETAINING RING
61	SM65.V2-061	BLADE PLATE
62	SM65.V2-062	SCREW
63	SM5/113	BANDSAW BLADE 1638 x 13 x 0.63mm (NOT SHOWN)

Item	Part No.	Description
--	SM5/113/6	BANDSAW BLADE 1638 x 13 x 0.63mm (NOT SHOWN)
--	SM5/113/10	BANDSAW BLADE 1638 x 13 x 0.63mm (NOT SHOWN)
--	SM5/113	BANDSAW BLADE 1638 x 13 x 0.63mm (NOT SHOWN)
--	SM5/113/24	BANDSAW BLADE 1638 x 13 x 0.63mm (NOT SHOWN)
64	SM65.V2-064	RETAINING RING
65	SM65.V2-065	SCREW
66	SM65.V2-066	UPPER GUARD HOLDER
67	SM65.V2-067	BLADE DRIVEN WHEEL
68	B/6202ZZ	BEARING 6202ZZ
69	SM65.V2-069	SEALED RING
70	SM65.V2-070	SHAFT
71	SM65.V2-071	PLASTIC CAP
72	SM65.V2-072	PRESSING BRACKET
73	SM65.V2-073	MACHINE BODY
74	SM65.V2-053	MOTOR PLATE
75	SM65.V2-075	SCREW
76	SM65.V2-076	WORM GEAR
77	SM65.V2-077	SEALED PAD
78	SM65.V2-078	COVER
79	SM65.V2-079	WORM SHAFT
80	SM65.V2-080	TUBE
81	V/A21	V-BELT (ID-535) A21
82	SM65.V2-082	CAPACITOR COVER
83	SM65.V2-083	SCREW
84	SM65.V2-084	PULLEY
85	SCB830.SB	SOCKET HEAD CAP SCREW M8x30 BLACK
85	SM65.V2-086	SKT. HD BOLT M8X16
87	SM65.V2-087	SCREW
88	SM65.V2-088	SLIDING BRACKET
89	SM65.V2-089	PLATE
90	SM65.V2-090	SHAFT
91	SM65.V2-091	PIN(SO)
92	SM65.V2-092	LIFT PLATE
93	SM65.V2-093	ADJUST PLATE
94	SM65.V2-094	WASHER
95	SM65.V2-095	TENSION KNOB
96	B/6902-2RS	BEARING 6902-2RS
97	SM65.V2-097	LOCKING KNOB
98	SM65.V2-098	BLADE IDLE WHEEL
99	SM65.V2-099	KNOB
100	SM65.V2-100	UP-ADJUST BRACKET
101	SM65.V2-101	UPPER GUARD COVER
102	SM65.V2-102	COVER
103	SM65.V2-103	VICE
104	SM65.V2-104	FENCE
105	SM65.V2-105	POINTER
106	SM65.V2-106	POSITION BRACKET
107	SM65.V2-107	LOCKING KNOB
108	SM65.V2-108	TABLE EXTENSION
--	B/6902ZZ	BEARING 6902ZZ (NOT SHOWN)