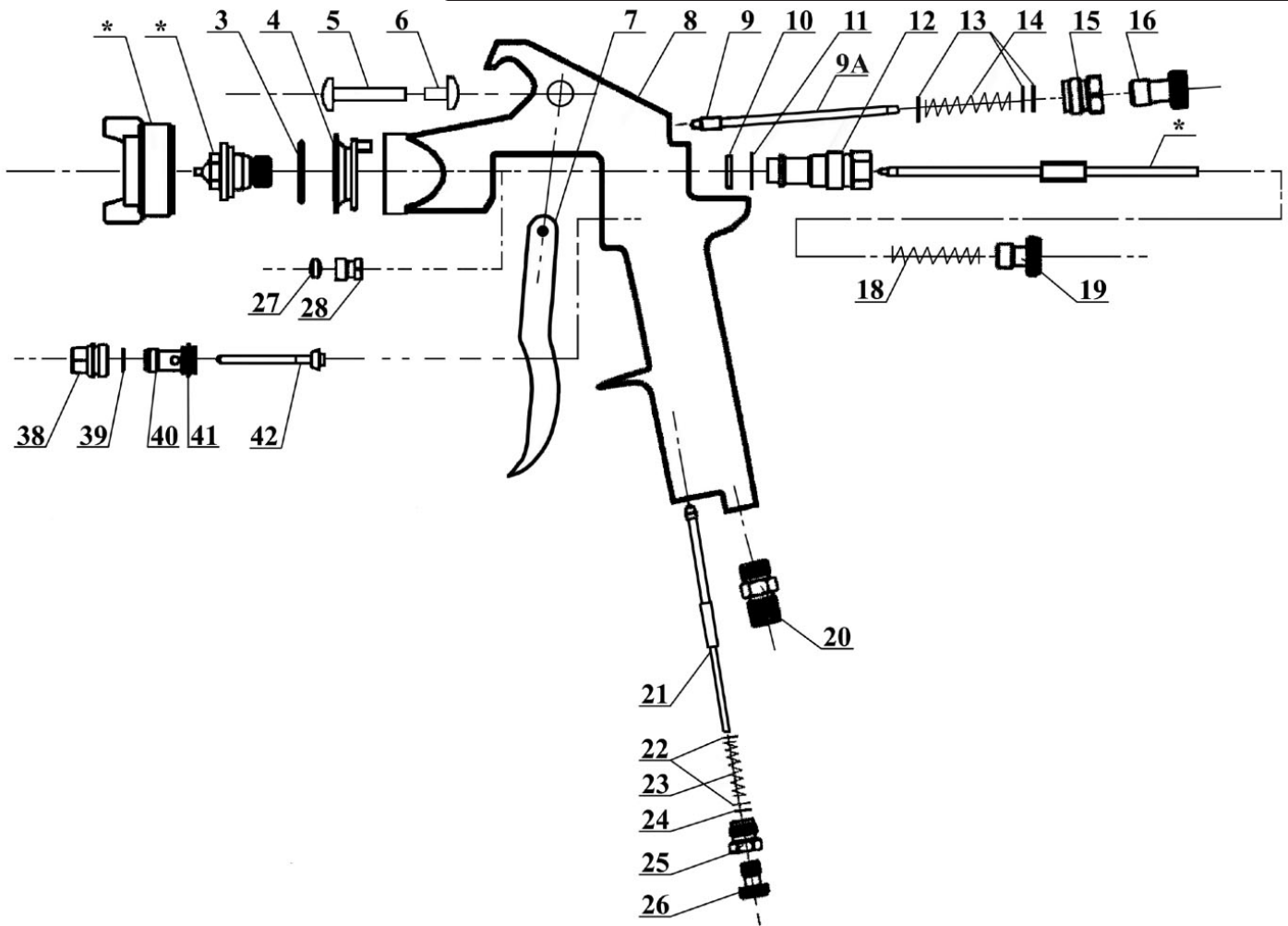


Parts Information:
**Pressure Pot System with Spray Gun &
 Hoses 1.8mm Set-Up**
Model No: SSG1P.V2



Item	Part No.	Description
3	SSG1X/03	NOZZLE PAD
4	SSG1X/04	AIR DIVERSION RING
5	SSG1X/05	TRIGGER BOLT (1)
6	SSG1X/06	TRIGGER BOLT (2)
7	SSG1X/07	TRIGGER
8	SSG1X/08	GUN BODY
9	SSG1X/09	PATTERN ADJUSTING VALVE
9A	SSG1X/09A	PATTERN ADJUSTING VALVE c/w STEM
10	SSG1X/10	GASKET
11	SSG1X/11	O-RING
12	SSG1X/12	NEEDLE GUIDE
13	FWM3.S	FLAT WASHER M3 SINGLE
14	SSG1X/14	VALVE SPRING
15	SSG1X/15	PATTERN VALVE SEAT
16	SSG1X/26	AIR ADJUSTING VALVE KNOB
18	SSG1X/18	NEEDLE SPRING
19	SSG1/08	FLUID ADJUSTING KNOB

Item	Part No.	Description
20	SSG1X/20	AIR HOSE JOINT
21	SSG1X/21	AIR ADJUSTING VALVE
22	FWM3.S	FLAT WASHER M3 SINGLE
23	SSG1X/23	AIR ADJUSTING VALVE SPRING
24	SSG1X/24	O-RING
25	SSG1X/25	AIR ADJUSTING VALVE SEAT
26	SSG1X/26	AIR ADJUSTING VALVE KNOB
27	SSG1X/27	NEEDLE PACKING
28	SSG1X/28	NEEDLE PACKING SCREW
38	SSG1X/38	AIR VALVE SCREW
39	SSG1X/39	O-RING
40	SSG1X/40	AIR VALVE SEAT
42	SSG1X/41	O-RING
42	HVLP741.17	AIR VALVE POLE
*	SSG1X/SET/1.8	1.8mm SET UP
--	SSG1X/SET/2.0	2.0mm SET UP (NOT SHOWN)

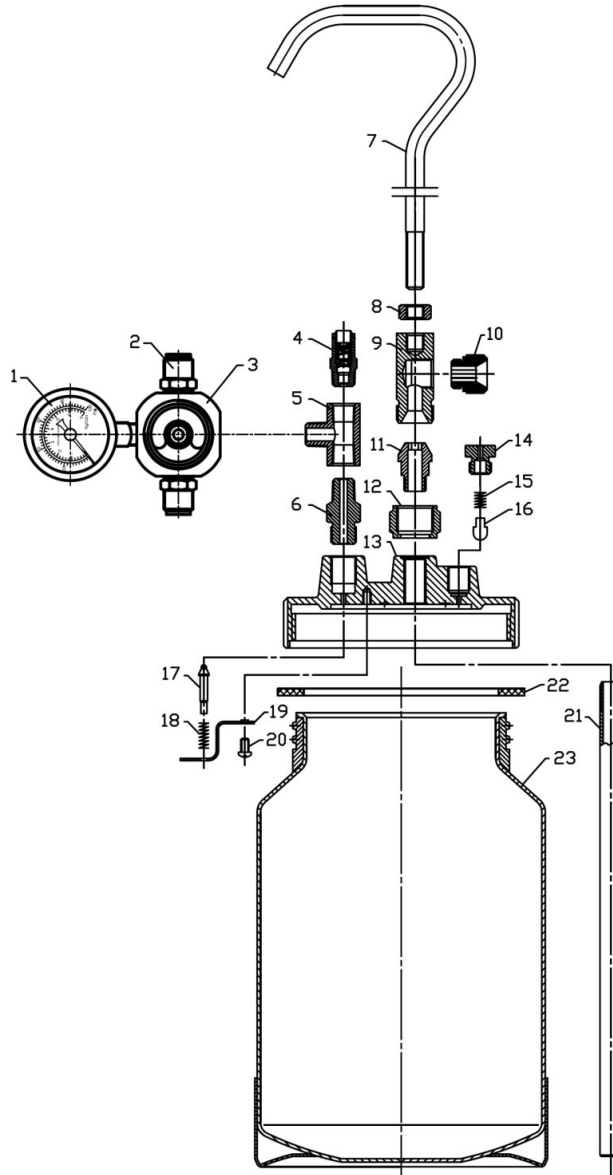
NOTE: It is our policy to continually improve products and as such we reserve the right to alter data, specifications and component parts without prior notice.

IMPORTANT: No liability is accepted for incorrect use of product.

WARRANTY: Guarantee is 12 months from purchase date, proof of which will be required for any claim.



Parts Information:
**Pressure Pot System with Spray Gun &
 Hoses 1.8mm Set-Up**
Model No: SSG1P.V2



Item	Part No.	Description
1	HVLP79P3V2.12	AIR PRESSURE GAUGE60psi 40mm OD BTM FITT
2	SSG1PV2-02	ADAPTOR
3	SSG1PV2-03	PRESSURE REG. HOUSING
4	SSG1PV2-04	SAFETY VALVE ASS'Y
5	SSG1PV2-05	3-WAY BLOCK
6	SSG1PV2-06	ADAPTOR
7	SSG1PV2-07	HANDLE
8	SN516.UNF	STEEL NUT 5/16" UNF (SINGLE)
9	SSG1PV2-09	3-WAY CONNECTOR
10	SSG1PV2-10	FLUID OUTLET
11	SSG1PV2-11	FLUID CONNECTOR

Item	Part No.	Description
12	SSG1PV2-12	FLUID NUT
13	SSG1PV2-13	CUP LID
14	SSG1PV2-14	RELEASE VALVE SCREW
15	SSG1PV2-15	SPRING
16	SSG1PV2-16	RELIEF VALVE BUNG
17	SSG1PV2-17	ONE-WAY VALVE ROD
18	SSG1PV2-18	SPRING
19	SSG1PV2-19	BRACKET
20	SSG1PV2-20	SCREW
21	SSG1PV2-21	FLUID TUBE
22	SSG1PV2-22	CUP SEAL
23	SSG1PV2-23	CUP ASS'Y

NOTE: It is our policy to continually improve products and as such we reserve the right to alter data, specifications and component parts without prior notice.

IMPORTANT: No liability is accepted for incorrect use of product.

WARRANTY: Guarantee is 12 months from purchase date, proof of which will be required for any claim.

Sealey Group, Kempson Way, Suffolk Business Park, Bury St Edmunds, Suffolk. IP32 7AR



01284 757500



01284 703534



sales@sealey.co.uk



www.sealey.co.uk