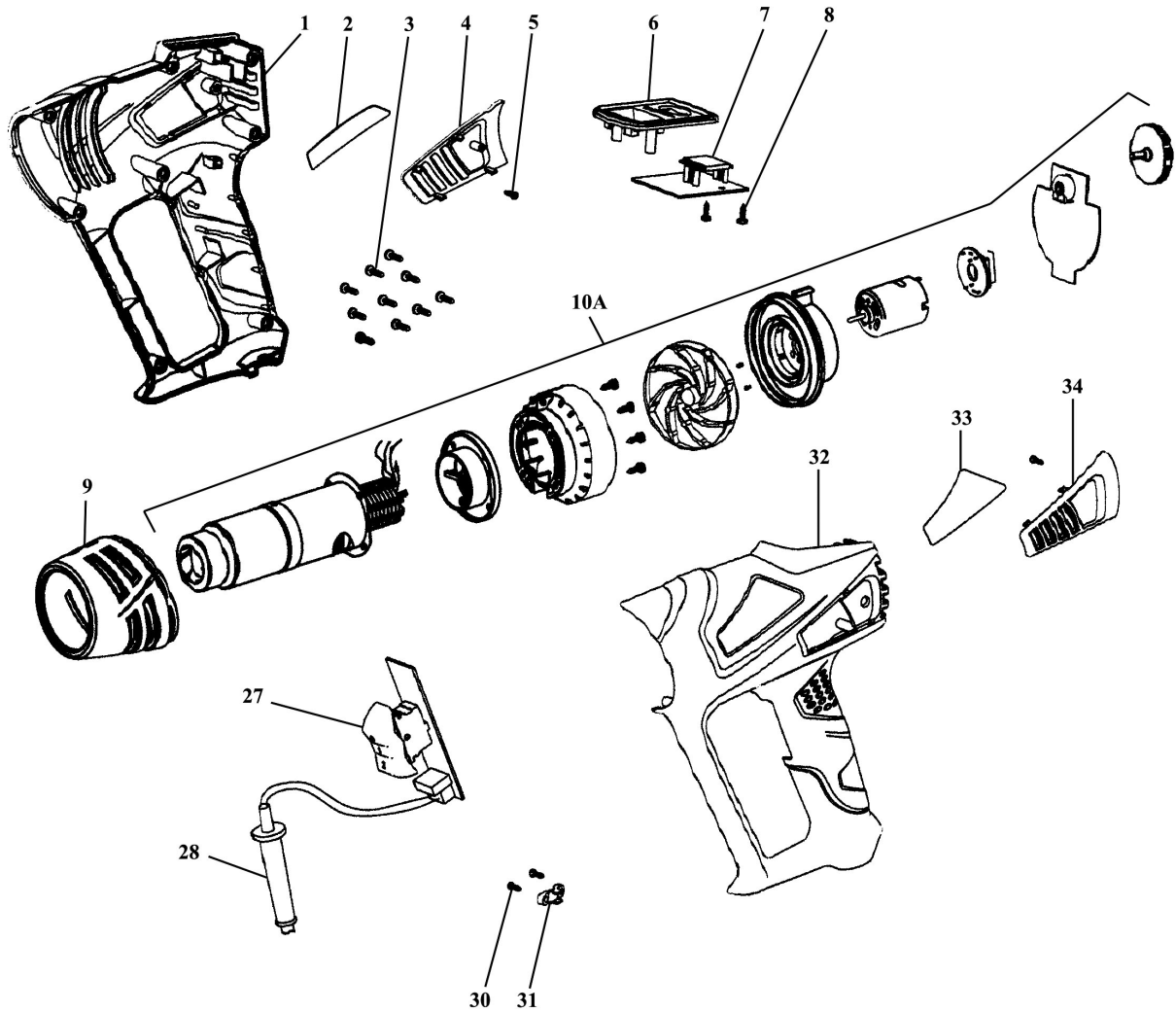


Parts Information:
Deluxe Hot Air Gun Kit with LED Display
2000W 80-600°C
Model No: HS104K.V2



Item	Part No.	Description
1	HS104K.V2-01	COVER (RIGHT SIDE)
2	HS104K.V2-02	LABEL FOR R/S COVER
3	HS104K.V2-03	SCREW
4	HS104K.V2-04	AIR FLOW GUARD (R/S)
5	HS104K.V2-05	SCREW
6	HS104K.V2-06	LCD COVER
7	HS104K.V2-10A	ELEMENT/HOUSING ASS(WITHOUT PART 25 & 26)
8	HS104K.V2-08	SCREW
9	HS104K.V2-09	FRONT COVER
10A	HS104K.V2-10A	ELEMENT/HOUSING ASS(WITHOUT PART 25 & 26)
27	HS104K.V2-27	SWITCH
28	HS104K.V2-28	CABLE SLEEVE
30	HS104K.V2-30	SCREW
31	HS104K.V2-31	CABLE HOLDER

Item	Part No.	Description
32	HS104K.V2-32	COVER (LEFT SIDE)
33	HS104K.V2-33	LABEL FOR L/S COVER
34	HS104K.V2-34	AIR FLOW GUARD (L/S)
--	HS104K.V2-25	TEMPERATURE ADJUSTING PC BOARD (NOT SHOWN)
--	HS104K.V2-26	TEMPERATURE DIAL (NOT SHOWN)
--	HS104K.V2-K01	FLAT NOZZLE (FISH TAIL SHAPE) (NOT SHOWN)
--	HS104K.V2-K02	HOOK NOZZLE (NOT SHOWN)
--	HS104K.V2-K03	DEFLECTOR NOZZLE (ROUND) (NOT SHOWN)
--	HS104K.V2-K04	FLAT SCRAPER (NOT SHOWN)
--	HS104K.V2-K05	HEART SHAVEHOOK (NOT SHOWN)
--	HS104K.V2-K06	COMBINATION SHAVEHOOK (NOT SHOWN)
--	HS104K.V2-K07	TRIANGULAR SHAVEHOOK (NOT SHOWN)
--	HS104K.V2-K08	HANDLE (NOT SHOWN)
--	HS104K.V2-K09	CONE NOZZLE (NOT SHOWN)

NOTE: It is our policy to continually improve products and as such we reserve the right to alter data, specifications and component parts without prior notice.

IMPORTANT: No liability is accepted for incorrect use of product.

WARRANTY: Guarantee is 12 months from purchase date, proof of which will be required for any claim.