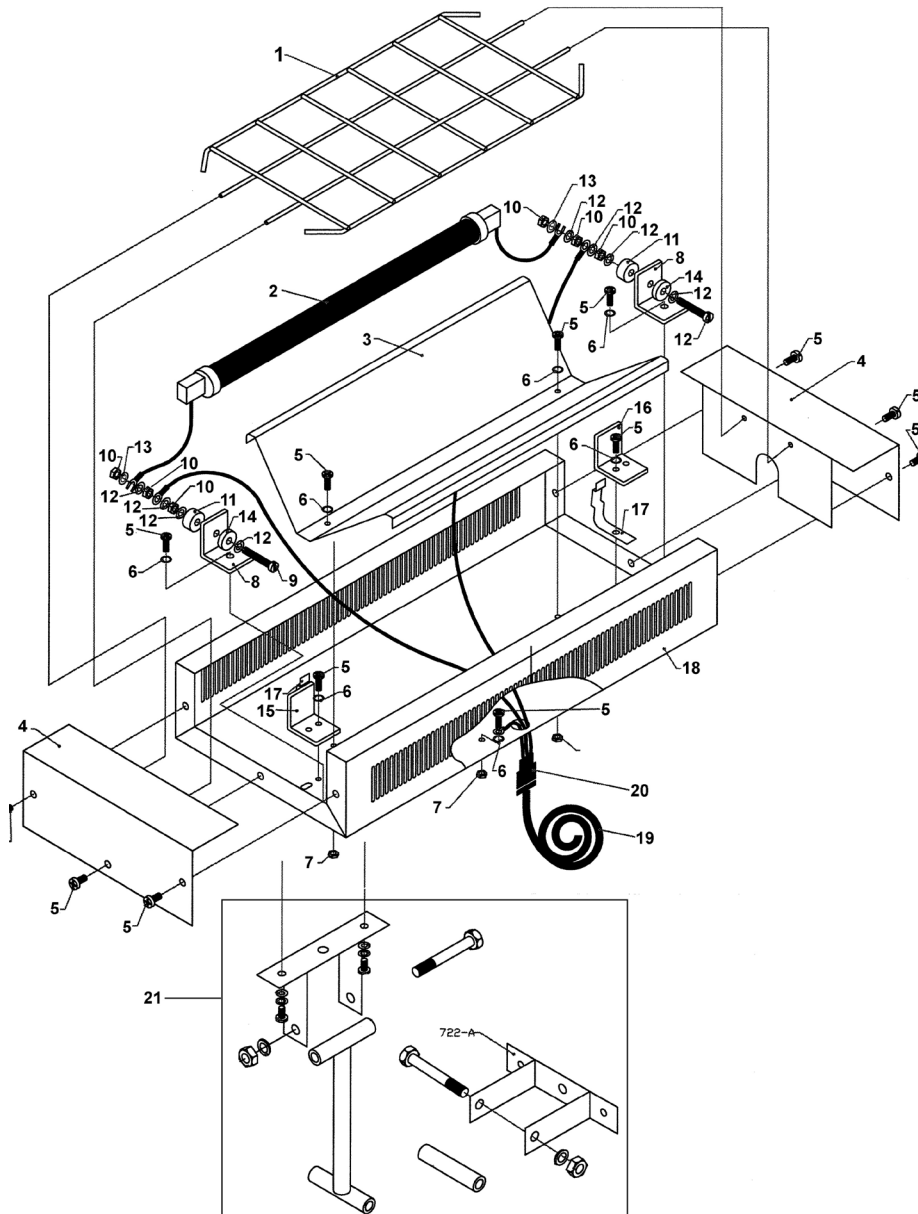


Parts Information:  
**Infrared Quartz Heater - Wall Mounting**  
**1500W/230V**  
**Model No: IWMH1500**



| Item | Part No.     | Description                              |
|------|--------------|--|
| 1    | IWMH1500.702 | GUARD                                    |
| 2    | INF64241530  | LAMP, HALOGEN, RUBY QUARTZ INFRA RED, 24 |
| 3    | IWMH1500.MR  | MAIN REFLECTOR                           |
| 4    | IWMH1500.EP  | END PLATE / REFLECTOR (PAIR)             |
| 5    | IWMH1500.511 | SCREW (PACK OF 10)                       |
| 6    | IWMH1500.503 | STAR WASHER                              |
| 7    | SN5.S        | STEEL NUT M5 ZINC DIN934 (SINGLE)        |
| 8    | IWMH1500.723 | TERMINAL MOUNTING BLOCK                  |
| 9    | IWMH1500.412 | LONG BOLT                                |
| 10   | SN4.S        | STEEL NUT M4 ZINC DIN934 (SINGLE)        |

| Item | Part No.     | Description                       |
|------|--------------|-----------------------------------|
| 11   | IWMH1500.724 | INSULATING WASHER                 |
| 12   | FWM4.S       | FLAT WASHER M4 SINGLE             |
| 13   | IWMH1500.403 | M4 INT TOOTH WASHER ZINC          |
| 14   | IWMH1500.725 | INSULATING WASHER                 |
| 15   | IWMH1500.705 | LAMP HOLDER PLATE                 |
| 16   | IWMH1500.706 | LAMP HOLDER PLATE                 |
| 17   | IWMH1500.707 | LAMP HOLDER SPRING                |
| 18   | IWMH1500.741 | MAIN BODY                         |
| 19   | MC3CX0.75    | MAINS CABLE BLK, 3 CORE, 0.75 MM2 |
| 20   | IWMH1500.SR  | STRAIN RELIEF                     |
| 21   | IWMH1500.HLB | MOUNTING BRACKET ASS'Y            |

**NOTE:** It is our policy to continually improve products and as such we reserve the right to alter data, specifications and component parts without prior notice.

**IMPORTANT:** No liability is accepted for incorrect use of product.

**WARRANTY:** Guarantee is 12 months from purchase date, proof of which will be required for any claim.