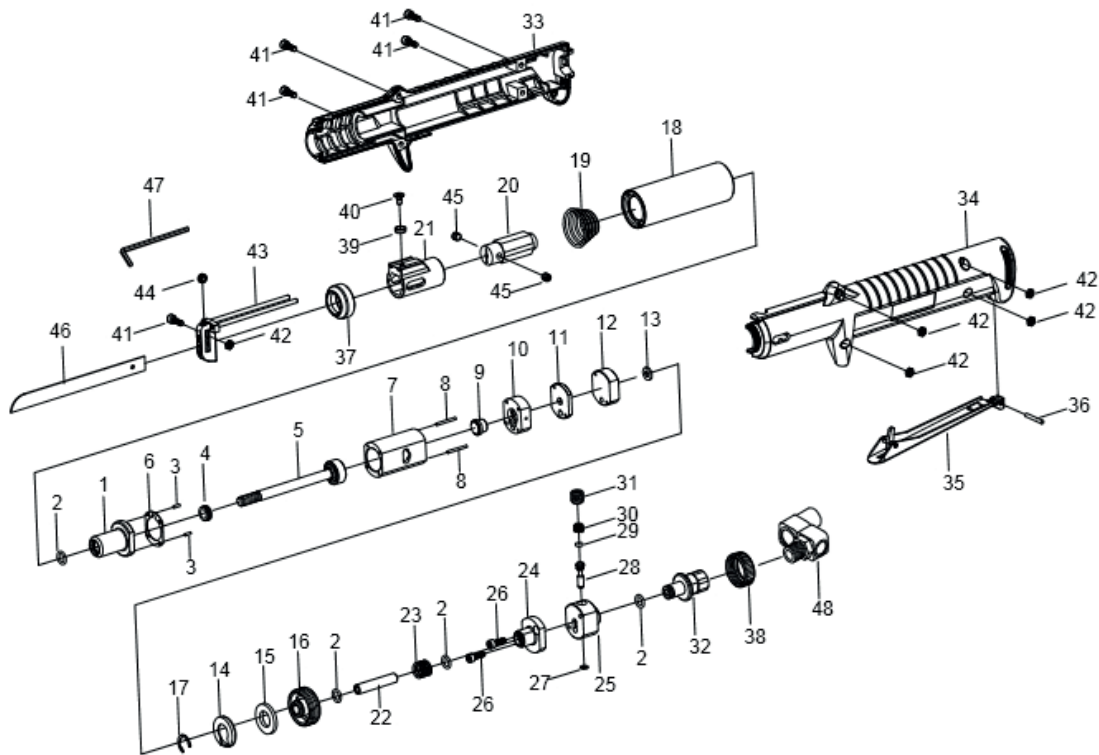


Parts Information: Air Saw Reciprocating Long Stroke Low Vibration Model No: SA346.V2



Item	Part No.	Description
1	SA346.V2-01	CYLINDER HEAD ASS'Y
2	SA346.V2-02	O-RING (4)
3	SA346.V2-03	FRONT DOWEL PIN (2)
4	SA346.V2-04	BUMPER
5	SA346.V2-05	PISTON ASS'Y
6	SA346.V2-06	GASKET
7	SA346.V2-07	CYLINDER
8	SA346.V2-08	REAR DOWEL PIN (2)
9	SA346.V2-09	AUTOMATIC VALVE
10	SA346.V2-10	VALVE CHEST
11	SA346.V2-11	VALVE SEAT
12	SA346.V2-12	VALVE CAP
13	SA346.V2-13	RUBBER WASHER
14	SA346.V2-14	MUFFLER CAP
15	SA346.V2-15	MUFFLER
16	SA346.V2-16	ADAPTOR
17	SA346.V2-17	RETAINING RING
18	SA346.V2-18	MAIN LINER
19	SA346.V2-19	SHOCK ABSORBENT SPRING
20	SA346.V2-20	BLADE HOLDER ASS'Y
21	SA346.V2-21	SLIDING LINER
22	SA346.V2-22	CONNECTING HOSE
23	SA346.V2-23	SPRING
24	SA346.V2-24	LID-VALVE
25	SA346.V2-25	VALVE CASE

Item	Part No.	Description
26	SA346.V2-26	SCREW (3)
27	SA346.V2-27	O-RING
28	SA346.V2-28	VALVE STEM
29	SA346.V2-29	O-RING
30	SA346.V2-30	SPRING
31	SA346.V2-31	PLUG SCREW
32	SA346.V2-32	AIR INLET
33	SA346.V2-33	RIGHT OUTER HOUSING
34	SA346.V2-34	LEFT OUTER HOUSING
35	SA346.V2-35	SAFETY LEVER ASS'Y
36	SA346.V2-36	REAR DOWEL PIN
37	SA346.V2-37	LOCK NUT - FRONT
38	SA346.V2-38	LOCK NUT - REAR
39	SA346.V2-39	SAW BLADE GUIDE
40	SA346.V2-40	SCREW
41	SCB412.SB	SOCKET HEAD CAP SCREW M4x12 BLACK
42	NLN4.SB	NYLOC NUT M4 BLACK (SINGLE)
43	SA346.V2-43	SAW BLADE GUIDE
44	SA346.V2-44	GUIDE WHEEL
45	GSM66.S	GRUB SCREW M6x6 (SINGLE)
46	SA346.V2-46	18T SAW BLADE
--	SA346.V2-46/1	24T SAW BLADE (NOT SHOWN)
47	SA346.V2-47	3mm HEX WRENCH
48	SA346.V2-48	1/4"NPT UNIVERSAL SWIVEL AIR INLET JOINT
--	SA346.V2-C	BLOW MOULD CASE (NOT SHOWN)

NOTE: It is our policy to continually improve products and as such we reserve the right to alter data, specifications and component parts without prior notice.

IMPORTANT: No liability is accepted for incorrect use of product.

WARRANTY: Guarantee is 12 months from purchase date, proof of which will be required for any claim.

Sealey Group, Kempson Way, Suffolk Business Park, Bury St Edmunds, Suffolk. IP32 7AR



01284 757500



01284 703534



sales@sealey.co.uk



www.sealey.co.uk