



INSTRUCTIONS FOR
WOOD LATHE 1000MM
MODEL NO: **SM1308**

Thank you for purchasing a Sealey product. Manufactured to a high standard, this product will, if used according to these instructions, and properly maintained, give you years of trouble free performance.

IMPORTANT: PLEASE READ THESE INSTRUCTIONS CAREFULLY. NOTE THE SAFE OPERATIONAL REQUIREMENTS, WARNINGS & CAUTIONS. USE THE PRODUCT CORRECTLY AND WITH CARE FOR THE PURPOSE FOR WHICH IT IS INTENDED. FAILURE TO DO SO MAY CAUSE DAMAGE AND/OR PERSONAL INJURY AND WILL INVALIDATE THE WARRANTY. KEEP THESE INSTRUCTIONS SAFE FOR FUTURE USE.



Refer to instruction manual



Wear eye protection



Wear ear protection



Wear protective clothing



Indoor use only

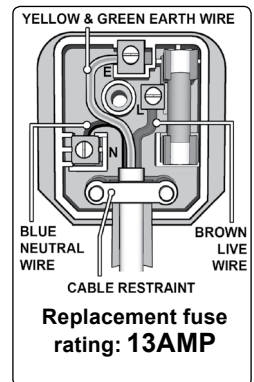


Wear face mask

1. SAFETY

1.1. ELECTRICAL SAFETY

- WARNING!** It is the user's responsibility to check the following:
Check all electrical equipment and appliances to ensure that they are safe before using. Inspect power supply leads, plugs and all electrical connections for wear and damage. Sealey recommend that an RCD (Residual Current Device) is used with all electrical products. You may obtain an RCD by contacting your local Sealey stockist.
If the product is used in the course of business duties, it must be maintained in a safe condition and routinely PAT (Portable Appliance Test) tested.
Electrical safety information: it is important that the following information is read and understood.
- 1.1.1. Ensure that the insulation on all cables and on the appliance is safe before connecting it to the power supply.
- 1.1.2. Regularly inspect power supply cables and plugs for wear or damage and check all connections to ensure that they are secure.
- 1.1.3. **Important:** Ensure that the voltage rating on the appliance suits the power supply to be used and that the plug is fitted with the correct fuse - see fuse rating in these instructions.
 - * **DO NOT** pull or carry the appliance by the power cable.
 - * **DO NOT** pull the plug from the socket by the cable.
 - * **DO NOT** use worn or damaged cables, plugs or connectors. Ensure that any faulty item is repaired or replaced immediately by a qualified electrician.
- 1.1.4. This product is fitted with a BS1363/A 13 Amp 3 pin plug.
If the cable or plug is damaged during use, switch the electricity supply and remove from use.
Ensure that repairs are carried out by a qualified electrician.
Replace a damaged plug with a BS1363/A 13 Amp 3 pin plug. If in doubt contact a qualified electrician.
 - A) Connect the GREEN/YELLOW earth wire to the earth terminal 'E'.
 - B) Connect the BROWN live wire to the live terminal 'L'.
 - C) Connect the BLUE neutral wire to the neutral terminal 'N'.Ensure that the cable outer sheath extends inside the cable restraint and that the restraint is tight.
Sealey recommend that repairs are carried out by a qualified electrician.



1.2. GENERAL SAFETY

- ✓ Familiarise yourself with the application, limitations and potential hazards of the lathe.
- WARNING!** Disconnect the lathe from the mains power before changing accessories, servicing or performing any maintenance.
- ✓ Maintain the lathe in good condition (use an authorised service agent to service and maintain the motor).
- ✓ Replace or repair damaged parts. *Use genuine parts only. Unauthorised parts may be dangerous and will invalidate the warranty.*
- WARNING!** Keep all guards and holding screws in place, tight and in good working order. Check regularly for damaged parts.
- ✓ Locate lathe in a suitable work area. Keep area clean and tidy, free from unrelated materials and ensure that there is adequate lighting.
- ✓ Keep the lathe clean for best and safest performance and check moving parts alignment regularly.
- ✓ Keep turning tools clean and sharp for best and safest performance.
- ✓ Ensure that there are no flammable or combustible materials near the work area.
- WARNING!** Always wear approved eye or face protection when operating the lathe (standard spectacles are not adequate). Wear approved ear defenders and use a face or dust mask if dust is generated.
- ✓ Keep hands and body clear when operating the lathe. **DO NOT** reach across the lathe.
- ✓ Maintain correct balance and footing. Ensure the floor is not slippery and wear non-slip shoes.
- ✓ Remove ill fitting clothing. Remove ties, watches, rings and other loose jewellery and contain and/or tie back long hair.
- ✓ Keep children and unauthorised persons away from the work area.
- ✓ Remove all wrenches, hex keys etc. from the lathe and its vicinity before turning it on.
- ✓ Avoid unintentional starting and ensure the lathe power switch is "OFF" before plugging into the mains power supply.
- * **DO NOT** use the lathe for a task that it is not designed to perform.
- * **DO NOT** operate the lathe if any parts are damaged or missing, as this may cause failure and/or personal injury.
- WARNING! DO NOT** use the lathe to cut any materials other than wood.
- * **DO NOT** stand or climb on the lathe.
- * **DO NOT** get the lathe wet or use in damp or wet locations or areas where there is condensation.
- * **DO NOT** use any tools other than those appropriate to wood turning.
- * **DO NOT** pull the plug from the power socket by the cable.

- ✓ When not in use switch off the lathe and remove the plug from the power socket.
- ✗ **DO NOT** operate the lathe when you are tired or under the influence of alcohol, drugs or intoxicating medication.
- ✗ **DO NOT** leave the lathe operating unattended and **DO NOT** leave the work area until the lathe is at a complete stand still.

1.3. WOOD CUTTING SAFETY

- ✓ Remove all loose wood knots before mounting workpiece on the lathe.
- ✓ Fasten the workpiece securely to the faceplate or between centres before turning on the lathe. Wrong set-up procedures may cause the workpiece to be thrown from the lathe, which may cause personal injury.
- ✓ To confirm that the workpiece will not hit any part of the lathe always rotate it by hand before turning on the motor.
- ✓ Rough out a workpiece to be as true and round as possible before attaching to the faceplate. This will minimise vibration.
- ✓ Initially turn "out of round" workpieces at a slow speed. Running the lathe too fast will cause vibration, which may result in the workpiece being thrown from the lathe, or the tool to be pulled from your hand.
- ✓ Avoid awkward hand positions, care must be taken to stop your hands from slipping onto the rotating workpiece.
- ✓ Keep a firm control of the cutting tool. Care must be exercised when wood knots or voids are exposed to the turning tool.
- ✓ Complete any hand sanding before removing the workpiece from the lathe. Ensure that the lathe speed during sanding does not exceed the speed used for the last cutting operation performed on that same workpiece.
- ✗ **DO NOT** store, or lay, work tools in such a way that you must reach over the lathe, or the workpiece, to select them. Hang or store the turning tools at the tail stock end of the lathe.
- ✗ **DO NOT** allow the tool to "bite" into the workpiece as the wood may split, or be thrown from the lathe.
- ✓ For spindle turning, always position the tool rest above the centre line of the lathe. **DO NOT** apply the turning tool to the workpiece below the level of the rest itself.
- ✗ **DO NOT** run the lathe in the wrong direction. This could cause the turning tool to be thrown from your hands. The workpiece surface must be moving downwards past the tool rest.
- **WARNING! DO NOT** remount a workpiece if the original centres of the workpiece have been altered or removed. Having remounted a workpiece where **NO** alteration has been made to the original centres, the lathe must be set to the lowest speed before turning it on.
- ✗ **DO NOT** mount a workpiece that contains splits, checks or loose knots.
- ✗ **DO NOT** switch on the lathe whilst the tool is in contact with the workpiece.
- **WARNING!** Keep alert. **DO NOT** allow familiarity (from frequent use) to cause a mistake. Remember, a careless second is sufficient to inflict serious damage and/or personal injury.
- **WARNING!** The warnings, cautions and instructions in this manual cannot cover all possible conditions and situations that may occur. It must be understood by the operator that common sense and caution are factors which cannot be built into this product, but must be applied by the operator.

2. INTRODUCTION

Manufactured to comply with latest CE requirements, this economy lathe is ideal for the first time user. Powered by 370Watt motor with No-Volt load release switch which prevents re-start after the mains supply has been interrupted. Solid head and tail stocks. Lathe bed with twin bar construction. Four turning speed options to suit a variety of jobs. Fitted with a BS approved, non-rewirable 3 pin plug and cable.

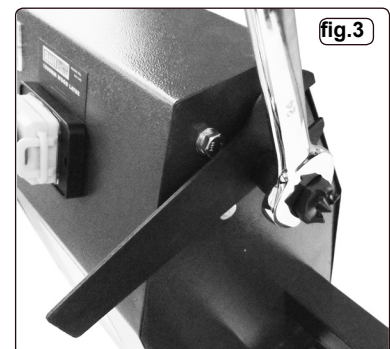
3. SPECIFICATION

Model No.....	SM1308
Turning Capacity Over Bed	350mm
Turning Capacity Over Tool Rest.....	300mm
Thread Size (Headstock Spindle).....	3/4" x 16tpi
Distance Between Centres.....	1000mm
Turning Speed Range	850, 1250, 1750, 2510rpm
Motor.....	370W - 230V/1ph

4. OPERATION

4.1. CHANGE FACE PLATE AND DRIVE CENTRE

- **WARNING!** Ensure the power is disconnected.
- 4.1.1. Unscrew the face plate, if fitted, anticlockwise while holding the headstock spindle using the spanner provided (fig.1, fig.2 and fig.3).
- 4.1.2. Screw the headstock centre onto the spindle (fig.3). Using the spanner provided and a 24mm A/F spanner; **DO NOT** overtighten.

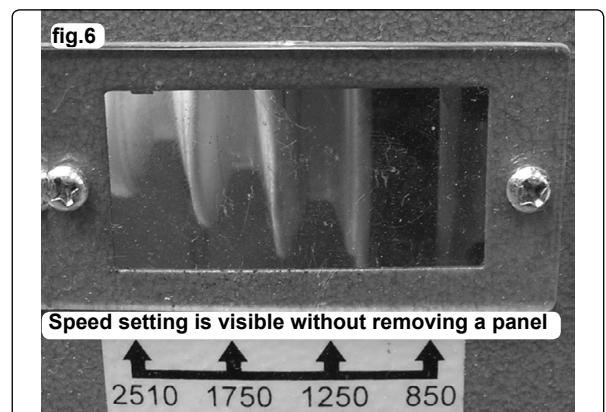
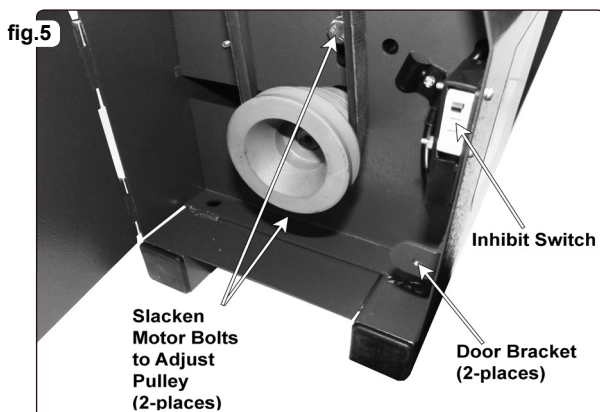
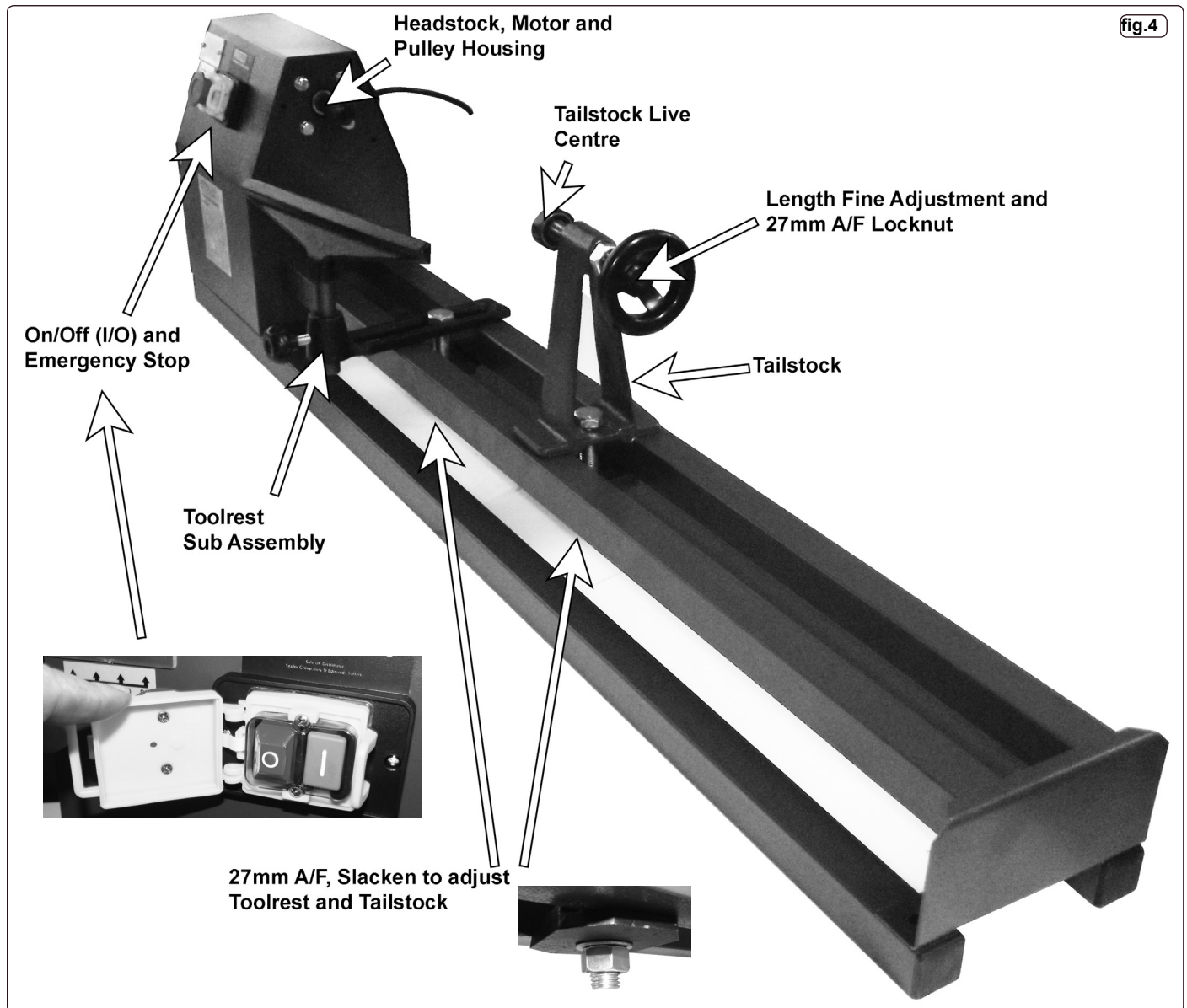


4.2. TAILSTOCK (FIG. 4)

- 4.2.1. The tailstock may be moved along the lathe bed and the tailstock spindle adjusted to suit the workpiece length.
- 4.2.2. Loosen the tailstock locknut (fig.4), reposition the tailstock along the lathe bed and retighten the locknut.
- 4.2.3. To move the tailstock spindle loosen the spindle locknut and then turn the hand wheel as necessary. Retighten the locknut.

4.3. SPEED CONTROL

- **WARNING!** Ensure the power is disconnected (some models are fitted with an inhibitor safety switch).
- 4.3.1. Remove the two cross head screws from the belt cover.
- 4.3.2. Loosen the two motor mounting bolts (fig.5) for pulley and belt adjustments.
- 4.3.3. Lift the lower pulley to slacken the belt and move the belt to the desired pulley steps. See fig.6 for four (rpm) speed settings.
- 4.3.4. Apply a downward pressure on the lower pulley to take up the slack on the belt and tighten the motor mounting bolts. For the correct belt tension, adjust the belt so there is 1/2" approximately of movement at the mid position of the two pulleys.
- 4.3.5. Close the pulley door and secure with the two cross head screws and washers into brackets.
- 4.3.6. See 4.4.1 onward for operating the lathe.



4.4. WOOD TURNING

- ❑ **WARNING!** Ensure you read, understand and apply the safety instructions before using the lathe. If you have **NO** turning experience, we recommend you practice until you have familiarised yourself with the applications and limitations of the lathe and the hazards of turning.
 - ✖ **DO NOT** take any chances when working with a lathe and turning tools.
 - ✖ Keep alert. **DO NOT** allow familiarity (from frequent use) to cause a careless mistake. Remember, failure to operate the lathe correctly is dangerous and may cause serious damage and/or personal injury.
- 4.4.1. Fasten the workpiece securely to the faceplate or between centres. When screwing a workpiece to the faceplate use brass wood screws and check that the points of the screws will not foul the tool during turning.
 - 4.4.2. Adjust the tool rest to suit, ensuring that it is close to the workpiece (we recommend a 3mm gap) and, for spindle turning, positioned above the centre line of the workpiece.
 - 4.4.3. To confirm that the workpiece will not hit any part of the lathe always rotate it by hand before turning on the motor.
 - 4.4.4. Check that all clamps and locks are tightened before switching on the lathe.
NOTE: The lathe is fitted with a no-volt On/Off switch which automatically switches off if the supply is interrupted (power cut, socket switched off etc.) thereby preventing unexpected, and therefore dangerous, start-up when the supply is reconnected.
 - 4.4.5. To switch the lathe on open the switch cover and press the "I" button. Allow the cover to close but **DO NOT** press fully shut and latched as this will switch off the lathe.
 - 4.4.6. To switch the lathe off normally, open the switch cover and press the "O" button. In an emergency push the red 'button' on the switch cover. This will stop the lathe and also latch the switch cover closed, with the "O" button depressed. The lathe cannot be restarted until the switch cover has been unlatched.
 - 4.4.7. Switch the lathe on and rough out "out-of-round" workpieces at a slow speed. Running the lathe too fast will cause vibration, which may result in the workpiece being thrown from the lathe, or the tool to be pulled from your hand.
 - 4.4.8. Keep a firm control of the cutting tool. Care must be exercised when wood knots or voids in the workpiece are exposed.
 - 4.4.9. Complete any hand sanding before removing the workpiece from the lathe. Ensure that the lathe speed during sanding does not exceed the last cutting speed used.

5. MAINTENANCE

- ❑ **WARNING!** Ensure the lathe is unplugged from the mains power supply before service or maintenance.
- 5.1. Keep the lathe clean and the surrounding area tidy.
 - 5.2. Frequently blow out any dust accumulation in the motor, housing and bed. Wear eye protection and mask when using an air line.
 - 5.3. Protect the bed from corrosion by occasionally applying automobile wax.
 - 5.4. Regularly lightly oil control and clamp levers and threads to ensure smooth operation.
 - 5.5. Should the motor require service or maintenance contact your local authorised service agent.

6. TROUBLE SHOOTING

PROBLEM	POSSIBLE CAUSE	SOLUTION
Motor will not run.	Defective On/Off switch or cable..Motor burnt out.	Replace defective parts. DO NOT attempt to repair. Contact your Sealey stockist.
Lathe slows down when turning.	Tools blunt. Too deep a cut. Belt tension too great.	Sharpen tools. Reduce cut. Reduce belt tension.
Workpiece chars at tailstock end.	Cup centre too tight or not lubricated.	Back off tailstock spindle and lubricate cup centre.



WEEE REGULATIONS

Dispose of this product at the end of its working life in compliance with the EU Directive on Waste Electrical and Electronic Equipment (WEEE). When the product is no longer required, it must be disposed of in an environmentally protective way. Contact your local solid waste authority for recycling information.



ENVIRONMENT PROTECTION

Recycle unwanted materials instead of disposing of them as waste. All tools, accessories and packaging should be sorted, taken to a recycling centre and disposed of in a manner which is compatible with the environment. When the product becomes completely unserviceable and requires disposal, drain any fluids (if applicable) into approved containers and dispose of the product and fluids according to local regulations.

Note: It is our policy to continually improve products and as such we reserve the right to alter data, specifications and component parts without prior notice.

Important: No Liability is accepted for incorrect use of this product.

Warranty: Guarantee is 12 months from purchase date, proof of which is required for any claim.

Sealey Group, Kempson Way, Suffolk Business Park, Bury St Edmunds, Suffolk. IP32 7AR



01284 757500



01284 703534



sales@sealey.co.uk



www.sealey.co.uk