

### INSTRUCTIONS FOR: BUSH REMOVAL TOOL (RENAULT LAGUNA)

MODEL No: VSE4777.V2

Thank you for purchasing a Sealey product. Manufactured to a high standard this product will, if used according to these instructions and properly maintained, give you years of trouble free performance.



**IMPORTANT: PLEASE READ THESE INSTRUCTIONS CAREFULLY. NOTE THE SAFE OPERATIONAL REQUIREMENTS, WARNINGS AND CAUTIONS. USE THE PRODUCT CORRECTLY AND WITH CARE FOR THE PURPOSE FOR WHICH IT IS INTENDED. FAILURE TO DO SO MAY CAUSE DAMAGE AND/OR PERSONAL INJURY, AND WILL INVALIDATE THE WARRANTY. PLEASE KEEP INSTRUCTIONS SAFE FOR FUTURE USE.**

#### 1. SAFETY INSTRUCTIONS

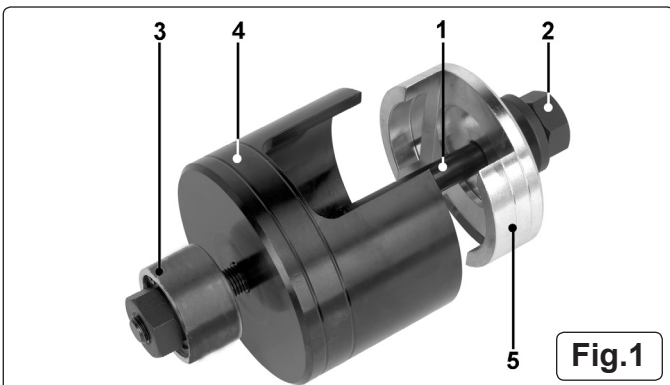
- WARNING!** Ensure Health and Safety, local authority and general workshop practice regulations are adhered to when using tools.
- DO NOT** use tools if damaged.
- DO NOT** use tool for purposes other than for which it is designed.
- DO NOT** use tool when you are tired or under the influence of alcohol, drugs or intoxicating medicines.
- ✓ Maintain tools in good and clean condition for best and safest performance.
- ✓ Ensure that a vehicle which has been jacked up is adequately supported with axle stands and that the wheels are chocked, refer to the vehicle manufacturer's service instructions, or a proprietary manual.
- ✓ Ensure that work area has adequate lighting.
- ✓ Keep children and unauthorised persons away from the work area.
- ✓ Wear approved eye protection. A full range of personal safety equipment is available from your Sealey dealer.
- ✓ Wear suitable clothing to avoid snagging. Do not wear jewellery and tie back long hair.
- DO NOT** use air tools to operate the force screw.
- ✓ When not in use, store tool in a safe, dry childproof area.
- IMPORTANT:** The force screw must be kept well lubricated.
- WARNING!** Failure to comply with these instructions may result in damage to the tool or vehicle and/or personal injury.
- WARNING!** The warnings, cautions and instructions referred to in this manual cannot cover all possible conditions and situations that may occur. It must be understood that common sense and caution are factors which cannot be built into this product, but must be applied by the operator.

**IMPORTANT:** This manual is provided as a guide only, refer to the vehicle manufacturer's service instructions, or a proprietary manual, to establish the current procedure and data.

#### 2. INTRODUCTION & APPLICATION

**2.1 Introduction:** Remove/Install front mounting bushes in Laguna rear sub-frame. Can be used in situ – no need to remove subframe from vehicle.

**Applications:** Renault Laguna, 2001 onwards.



| ITEM | PART NO:      | DESCRIPTION        |
|------|---------------|--------------------|
| 1    | VSE4777.V2.01 | FORCE SCREW        |
| 2    | VSE4777.V2.02 | FLANGE NUT         |
| 3    | VSE4777.V2.03 | FORCE NUT ASSEMBLY |
| 4    | VSE4777.V2.04 | COMPRESSOR SLEEVE  |
| 5    | VSE4777.V2.05 | BRIDGE PIECE       |

#### 3. OPERATION

**DO NOT USE AIR TOOLS TO OPERATE THE FORCE SCREW.**

- 3.1** Ensure that the vehicle is adequately supported on axle stands before working under the vehicle.
- 3.2** Although there is no need to remove the subframe from the vehicle it will be necessary to lower it to gain access to both sides of the bush housing.
- 3.3** Remove the rear wheels, the brake pipe retaining plate, the left and right-hand bush retaining brackets and the lower shock absorber bolts. **For a detailed and up to date breakdown of this procedure refer to the vehicle manufacturer's service instructions, or a proprietary manual.**
- 3.4** To remove the old bush assemble the tool onto the bush and sub-frame as shown in Fig.2. Ensure that the force screw 1 is well lubricated prior to assembly. Hold the flange nut 2 with a 24mm ring spanner. Using a ratchet wrench with a 24mm deep socket turn the nut on the force nut assembly 3 clockwise to drive the bush out of its housing. The bush will extract easier if penetrating oil has been applied to the bush housing prior to removal.

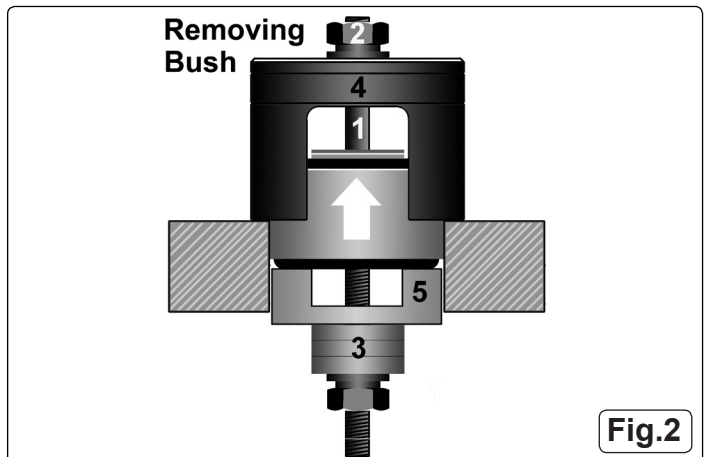


Fig.2

- 3.5** To insert the new bush, assemble the tool and bush onto the sub-frame as shown in Fig.3. Ensure that the force screw 1 is well lubricated prior to assembly. Hold the flange nut 2 with a 24mm ring spanner. Using a ratchet wrench with a 24mm deep socket turn the nut on the force nut assembly 3 clockwise to drive the bush into the compressor sleeve 4.

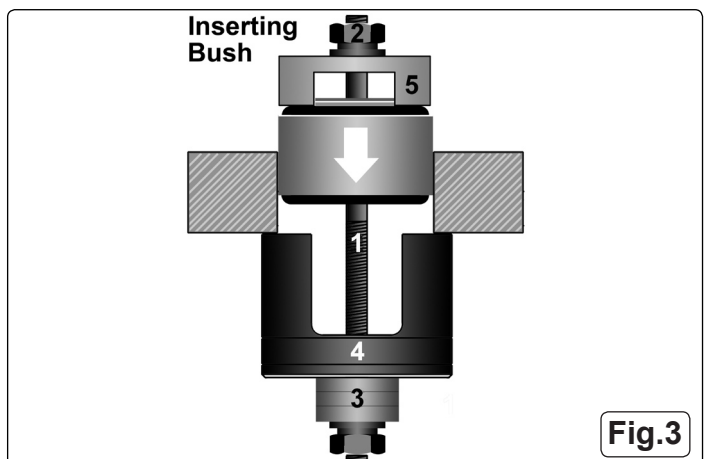
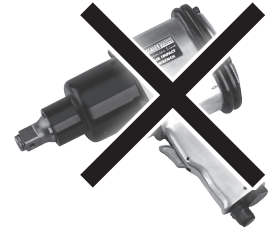


Fig.3

**ALWAYS KEEP FORCE SCREW  
WELL LUBRICATED.**



**DO NOT USE AIR TOOLS.**



**Force screw maximum load 150Nm. Exceeding this load will shorten the life of the force screw. The force screw is considered to be a consumable item and is NOT covered under warranty.**

**NOTE:** It is our policy to continually improve products and as such we reserve the right to alter data, specifications and component parts without prior notice.

**IMPORTANT:** No liability is accepted for incorrect use of product.


**WARRANTY:** Guarantee is 12 months from purchase date, proof of which will be required for any claim.

**INFORMATION:** For a copy of our latest catalogue and promotions call us on 01284 757525 and leave your full name and address, including postcode.

**SEALEY** Professional  
**TOOLS**  
Auto Service Line

**Sole UK Distributor, Sealey Group,**  
Kempson Way, Suffolk Business Park,  
Bury St. Edmunds, Suffolk  
IP32 7AR

 01284 757500

 [www.sealey.co.uk](http://www.sealey.co.uk)

 01284 703534

 [sales@sealey.co.uk](mailto:sales@sealey.co.uk)