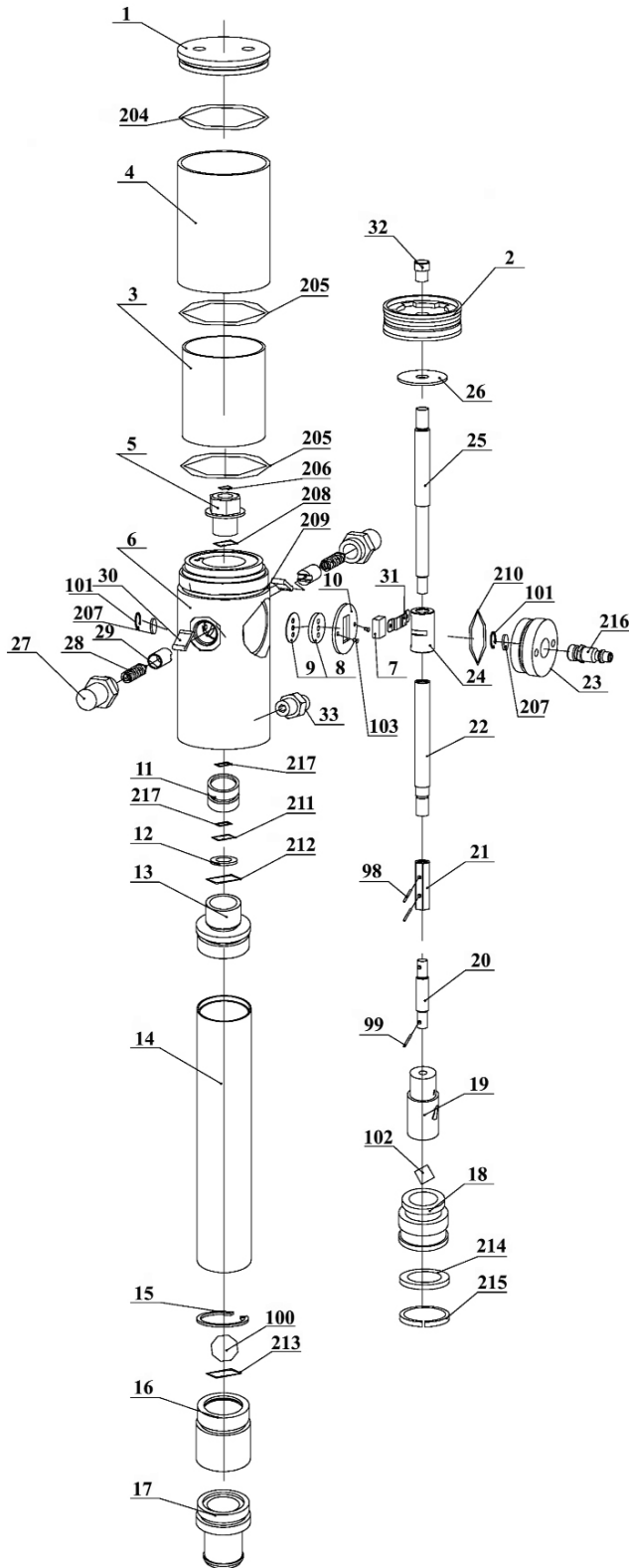




Parts Information:
Oil Dispensing Pump Station Air Operated
Model No: AK4560D



NOTE: It is our policy to continually improve products and as such we reserve the right to alter data, specifications and component parts without prior notice.

IMPORTANT: No liability is accepted for incorrect use of product.

WARRANTY: Guarantee is 12 months from purchase date, proof of which will be required for any claim.

Sealey Group, Kempson Way, Suffolk Business Park, Bury St Edmunds, Suffolk. IP32 7AR



01284 757500



01284 703534



sales@sealey.co.uk



www.sealey.co.uk



Parts Information:
Oil Dispensing Pump Station Air Operated
Model No: AK4560D

Item	Part No.	Description
1	AK4560D.01	AIR MOTOR COVER
2	AK4560D.02	PISTON
3	AK4560D.03	AIR MOTOR SHELL INNER
4	AK4560D.04	AIR MOTOR SHELL OUTER
5	AK4560D.05	BRACKET
6	AK4560D.06	AIR CONTROL CENTRE
7	AK4560D.07	SLIDER
8	AK4560D.08	GASKET
9	AK4560D.09	SOFT GASKET
10	AK4560D.10	SQUARE HOLE SECURING WASHER
11	AK4560D.11	BRACKET
12	AK4560D.12	WASHER
13	AK4560D.13	CONNECT TUBE
14	AK4560D.14	SUCTION TUBE 850mm x 42mmOD
15	AK4560D.15	SPRING CIRCLIP
16	AK4560D.16	VALVE SEAT
17	AK4560D.17	FILTER OR CONNECTOR
18	AK4560D.18	PISTON
19	AK4560D.19	CONNECTING SHELL
20	AK4560D.20	CONNECT SHAFT
21	AK4560D.21	CONNECT SHELL
22	AK4560D.22	MIDDLE SHAFT
23	AK4560D.23	AIR CENTRE COVER
24	AK4560D.24	SLIDER SHELL
25	AK4560D.25	PISTON SHAFT
26	FWM10.S	FLAT WASHER M10 SINGLE
27	AK4560D.27	SPRING SHELL

Item	Part No.	Description
28	AK4560D.28	SPRING
29	AK4560D.29	SPRING SEAT
30	AK4560D.30	TRIP SHOE GUIDE
31	AK4560D.31	PRESS PIECE
32	AK4560D.32	NUT
33	AK4560D.33	OUTLET
98	AK4560D.98	PIN
99	AK4560D.99	SPRING PIN M3X20
100	SB-21.4	STEEL BALL 21.4mm
101	AK4560D.101	SMALL CIRCLIP
102	SB-16.0	STEEL BALL 16.0mm
103	MSP410.S	MACHINE SCREW PAN HEAD PHILLIPS M4x10mm
204	AK4560D.204	O-RING
205	AK4560D.205	O-RING
206	AK4560D.206	O-RING
207	AK4560D.207	SILENCER
208	AK4560D.208	O-RING
209	AK4560D.209	O-RING
210	AK4560D.210	O-RING
211	AK4560D.211	O-RING
212	AK4560D.212	O-RING
213	AK4560D.213	O-RING
214	AK4560D.214	U SEAL
215	AK4560D.215	GUIDING
216	AK4560D.216	QUICK COUPLING
217	AK4560D.217	OD SEAL

NOTE: It is our policy to continually improve products and as such we reserve the right to alter data, specifications and component parts without prior notice.

IMPORTANT: No liability is accepted for incorrect use of product.

WARRANTY: Guarantee is 12 months from purchase date, proof of which will be required for any claim.

Sealey Group, Kempson Way, Suffolk Business Park, Bury St Edmunds, Suffolk. IP32 7AR



01284 757500



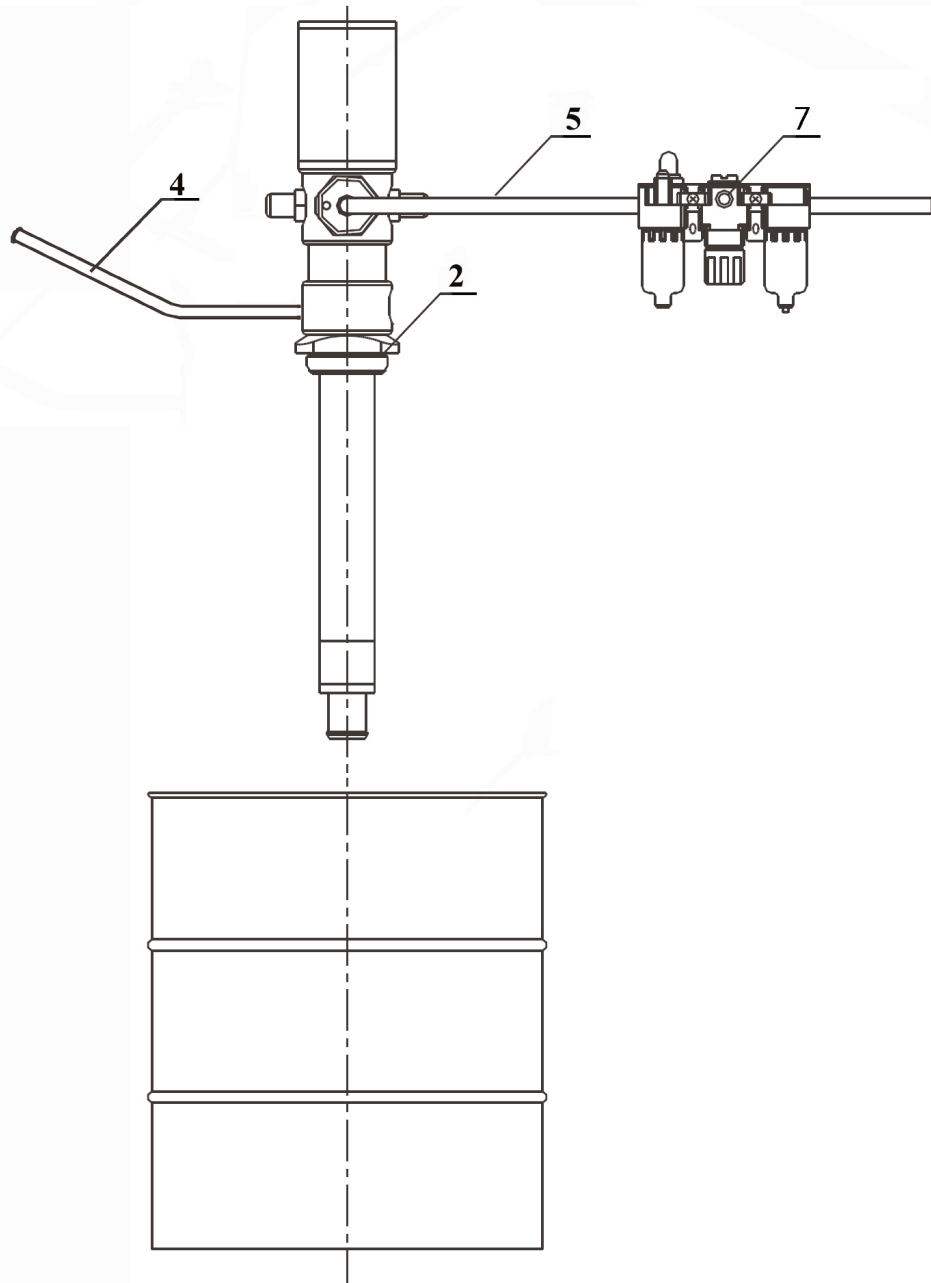
01284 703534



sales@sealey.co.uk



www.sealey.co.uk



Item	Part No.	Description
2	AK4560D.AC2	BUNG ADAPTOR
4	AK4560D.AC4	HOSE WITH FITTING

Item	Part No.	Description
5	AK4560D.AC5	AIR HOSE WITH QUICK COUPLING
7	AK4560D.AC7	REGULATOR/LUBRICATOR/FILTER

NOTE: It is our policy to continually improve products and as such we reserve the right to alter data, specifications and component parts without prior notice.

IMPORTANT: No liability is accepted for incorrect use of product.

WARRANTY: Guarantee is 12 months from purchase date, proof of which will be required for any claim.