

SEALEY

INSTRUCTIONS FOR

REAR TRAILING ARM BUSH TOOL - FORD, MAZDA & VOLVO MODEL NO: VSE4780.V2

Thank you for purchasing a Sealey product. Manufactured to a high standard, this product will, if used according to these instructions, and properly maintained, give you years of trouble free performance.

IMPORTANT: PLEASE READ THESE INSTRUCTIONS CAREFULLY. NOTE THE SAFE OPERATIONAL REQUIREMENTS, WARNINGS & CAUTIONS. USE THE PRODUCT CORRECTLY AND WITH CARE FOR THE PURPOSE FOR WHICH IT IS INTENDED. FAILURE TO DO SO MAY CAUSE DAMAGE AND/OR PERSONAL INJURY AND WILL INVALIDATE THE WARRANTY. KEEP THESE INSTRUCTIONS SAFE FOR FUTURE USE.



Refer to
Instruction
Manual



Wear eye
Protection

1. SAFETY

- WARNING!** Ensure Health and Safety, local authority and general workshop practice regulations are adhered to when using tools.
- DO NOT** use tools if damaged.
- Maintain tools in good and clean condition for best and safest performance.
- Ensure that a vehicle which has been jacked up is adequately supported with axle stands and that the wheels are chocked.
- Ensure that the rear axle is adequately supported, refer to the vehicle manufacturer's service instructions, or a proprietary manual.
- Wear approved eye protection. A full range of personal safety equipment is available from your Sealey dealer.
- Wear suitable clothing to avoid snagging. **DO NOT** wear jewellery and tie back long hair
- DO NOT** use air tools to operate the force screw.
- IMPORTANT:** The force screw must be kept well lubricated.

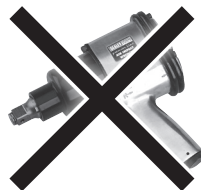
IMPORTANT: This manual is provided as a guide only, refer to the vehicle manufacturer's service instructions, or a proprietary manual, to establish the current procedure and data.

- WARNING!** Failure to heed safety and warning instructions may result in damage and/or personal injury and will invalidate the warranty.
- WARNING!** *The warnings, cautions & instructions referred to in this manual cannot cover all possible conditions and situations that may occur. It must be understood that common sense and caution are factors which cannot be built into this product, but must be applied by the operator.*

**ALWAYS KEEP FORCE SCREW
WELL LUBRICATED.**



DO NOT USE AIR TOOLS



2. INTRODUCTION

Remove/install rear trailing arm bushes on Ford, Mazda and Volvo Vehicles. Can be used in situ - no need to remove rear axle from vehicle.



Force screw maximum load 150Nm. Exceeding this load will shorten the life of the force screw. The force screw is considered to be a consumable item and is NOT covered under warranty.

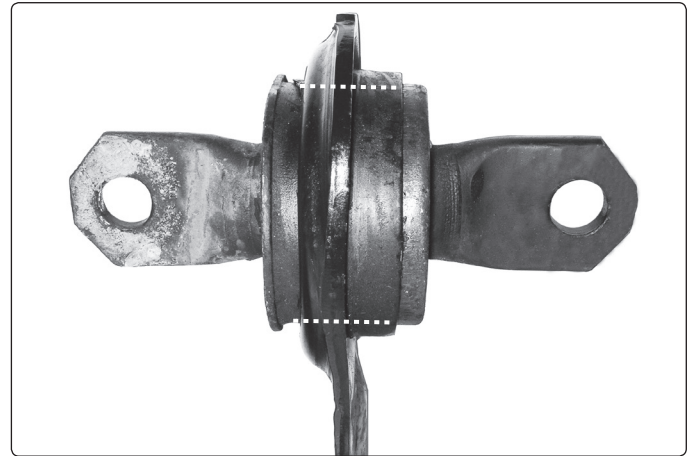
3. APPLICATIONS

Ford Focus Mk1	(98-04)
Ford Focus Mk2	(04-12)
Ford C-Max	(07-11)
Ford Kuga Mk1	(08-13)
Mazda 3	(04-09)
Mazda 5	(05-15)
Volvo V50	(04-13)
Volvo S40 Mk2	(04-13)

4. OPERATION

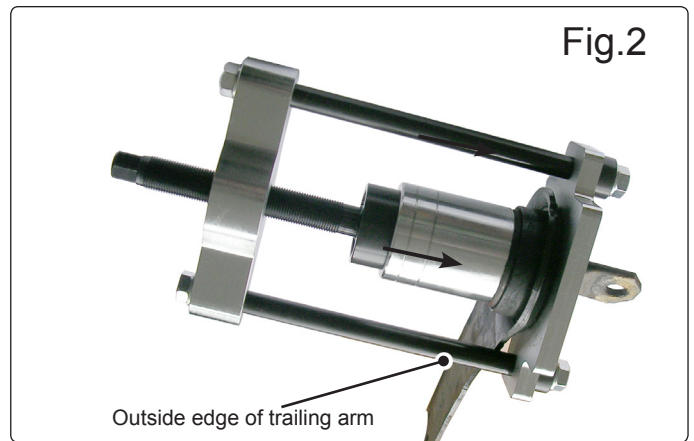
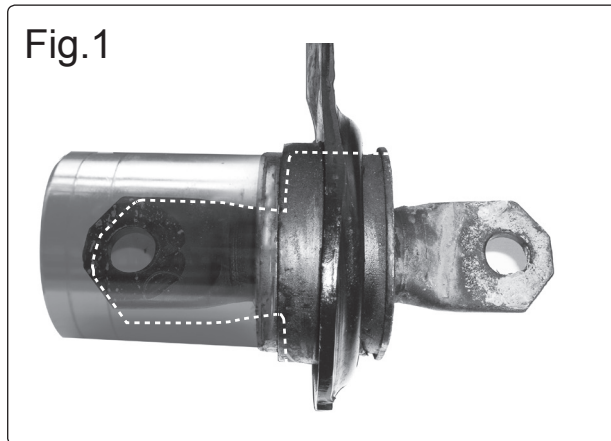
NOTE! Pictures taken with the trailing arm removed from vehicle for clarity.

NOTE! The tool will insert the bush to the correct depth, but before installing the new bush, refer to the vehicle manufacturer's service instructions, or a proprietary manual, to establish the correct horizontal alignment/positioning of the bush in the trailing arm.



Bush before removal from the trailing arm

3.1. Attach the silver removal press as in Fig.1. Note the inner shoulder of the press fits inside the outer body of the bush.

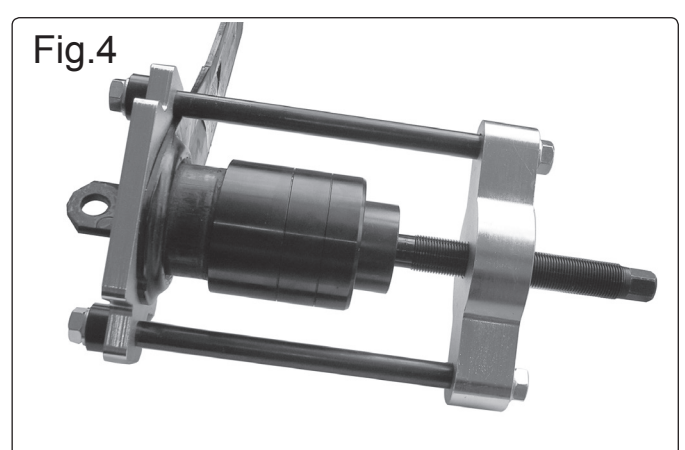
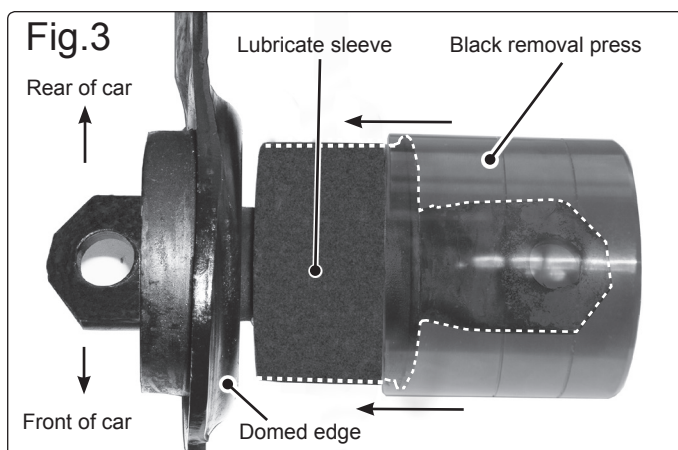


- 4.1. Assemble as in Fig.2.
- Wind the force screw clockwise. The press will start to push the bush through the trailing arm.
 - Keep winding until the bush has been pushed all the way out of the trailing arm.
- NOTE!** If any undue resistance is felt, remove the press and check everything is correctly aligned. The bush will only push out in one direction (Fig.2).

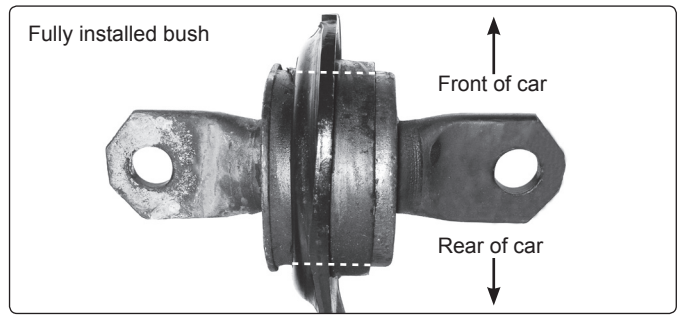
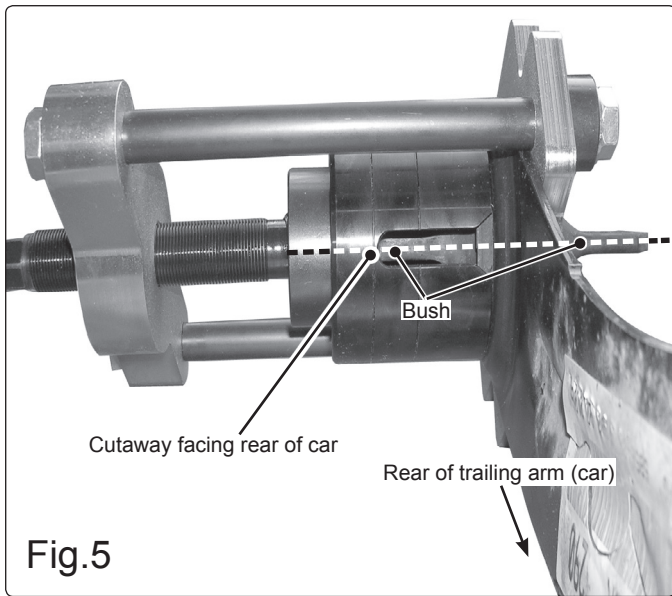
4.2. Fitting new bush.

- Before fitting the new bush, thoroughly clean and lubricate the trailing arm.
- Thoroughly lubricate the bush sleeving to help ease refitting.

NOTE! The bush must be pressed through from the domed (inside) edge of the trailing arm (Fig.3).



- 4.3. Assemble the press on the trailing arm as below (Fig.4).
- The bush should fit into the recess on the black replacement press (Fig.3).
 - To facilitate correct positioning of the bush, the replacement press has a raised shoulder on the opposite edge to the cutaway. Align the replacement press so the cut-away faces towards the rear of the trailing arm (cut-away facing the rear of the car) (Fig.5).
- 4.4. Wind the force screw clockwise.
- NOTE!** If any undue resistance is felt, remove the press and check everything is correctly aligned.
- When the press makes contact with the trailing arm, the bush is fully installed.



4.5. Remove the tool, clean and lubricate before returning to storage case.



Environmental Protection

Recycle unwanted materials instead of disposing of them as waste. All tools, accessories and packaging should be sorted, taken to a recycling centre and disposed of in a manner which is compatible with the environment. When the product becomes completely unserviceable and requires disposal, drain off any fluids (if applicable) into approved containers and dispose of the product and the fluids according to local regulations.

NOTE: It is our policy to continually improve products and as such we reserve the right to alter data, specifications and component parts without prior notice.

IMPORTANT: No liability is accepted for incorrect use of this product.

WARRANTY: Guarantee is 12 months from purchase date, proof of which will be required for any claim.



Sole UK Distributor, Sealey Group.
Kempson Way, Suffolk Business Park,
Bury St. Edmunds, Suffolk.
IP32 7AR



01284 757500



01284 703534



www.sealey.co.uk



sales@sealey.co.uk