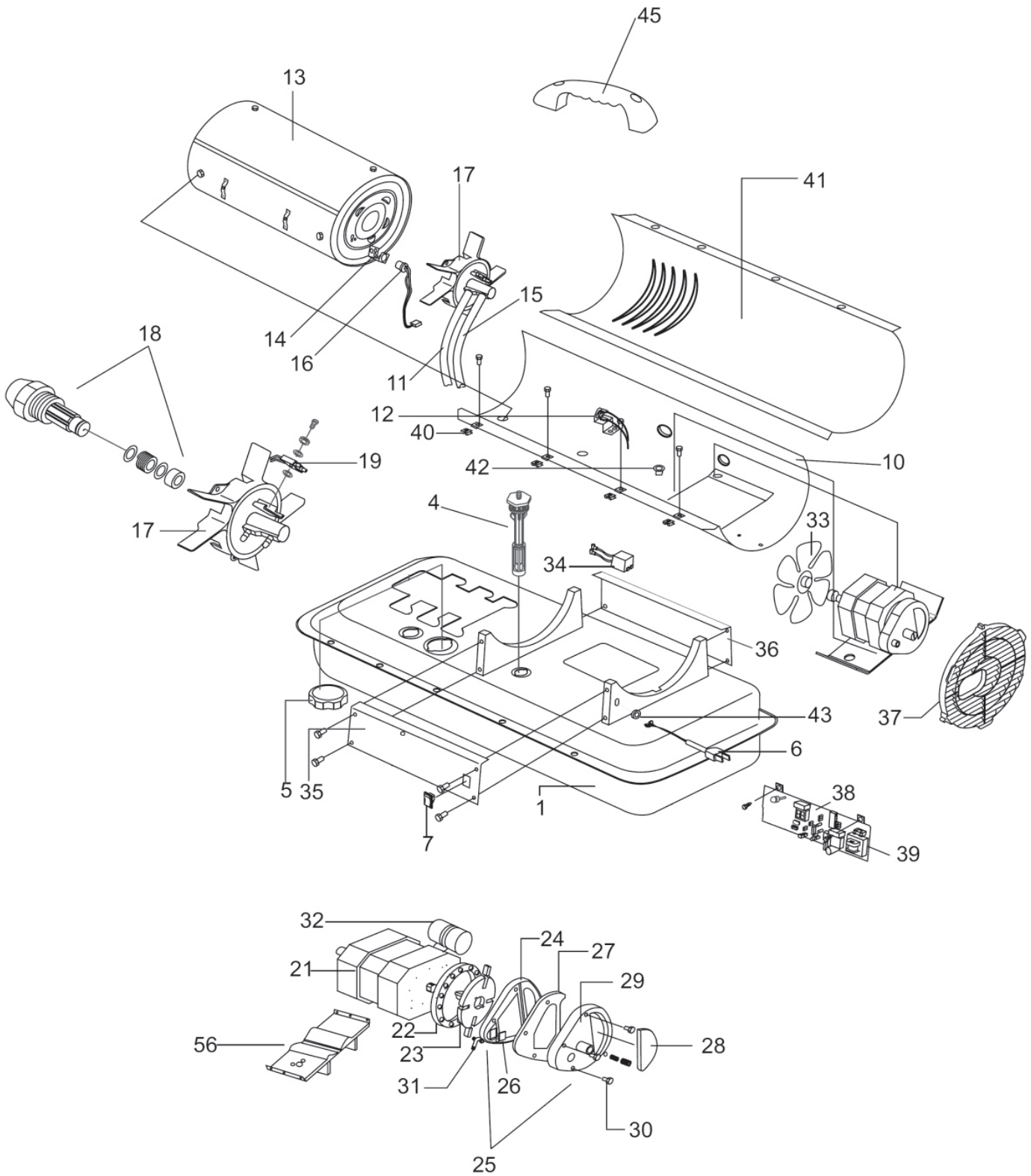




Parts Information:
Space Warmer® Paraffin/Kerosene/Diesel
Heater 45,000Btu/hr without Wheels
Model No: AB458.V3



NOTE: It is our policy to continually improve products and as such we reserve the right to alter data, specifications and component parts without prior notice.

IMPORTANT: No liability is accepted for incorrect use of product.

WARRANTY: Guarantee is 12 months from purchase date, proof of which will be required for any claim.

Sealey Group, Kempson Way, Suffolk Business Park, Bury St Edmunds, Suffolk. IP32 7AR



01284 757500



01284 703534



sales@sealey.co.uk



www.sealey.co.uk



Parts Information:
Space Warmer® Paraffin/Kerosene/Diesel
Heater 45,000Btu/hr without Wheels
Model No: AB458.V3

Item	Part No.	Description
1	P70-002-0150	FUEL TANK
3	P70-007-0100	FUEL GAUGE ASSEMBLY
4	P70-003-0100	FUEL FILTER ASS'Y
5	P70-006-0135	FUEL CAP - PLASTIC
6	MC3CX0.75	MAINS CABLE BLK, 3 CORE, 0.75 MM2
7	P70-038-0110	POWER SWITCH (ROCKER)
10	P70-001-3007	LOWER COVER
11	P70-035-0100	AIR HOSE
12	P70-019-0100	TEMPERATURE LIMIT SWITCH
13	P70-011-0100	COMBUSTION CHAMBER
14	P70-010-0101	FLAME SENSOR BRACKET
15	P70-036-0100	FUEL HOSE
16	P70-016-0100	FLAME SENSOR
17	P70-014-0101	BURNER HEAD
18	P70-015-0100	NOZZLE - DELAVAN 45 K
19	P70-052-0100	SPARK PLUG
21	P70-021-0501	MOTOR 230V/50HZ
22	P70-020-0401	PUMP BODY
23	P70-022-0100	ROTOR KIT 1/2" (c/w VANES/CLIP)
24	P70-020-0102	END PUMP COVER
25	P70-054-0100	FILTER KIT

Item	Part No.	Description
26	P70-054-0102	FILTER
27	P70-054-0100	FILTER KIT
28	P70-054-0101	INTAKE FILTER
29	P70-020-0103	END FILTER COVER
30	P70-055-0100	PLUG/PUMP ADJUST KIT
31	P70-014-0104	NIPPLE
32	P70-020-0130	CAPACITOR 230V/50HZ
33	P70-024-0100	FAN
34	P70-037-0330	IGNITOR
35	P70-008-0100	RIGHT SIDE COVER
36	P70-009-0100	LEFT SIDE COVER
37	P70-016-0700	FAN GUARD
38	P70-027-0350	PCB
39	P70-027-0101	FUSE T5L 250V 2x0.5
40	P70-001-0105	CLIP NUT
41	P70-001-3006	UPPER COVER
42	P70-017-0100	BUSHING GROMMET
43	P70-033-0100	CORD BUSHING
45	P70-001-0103	HANDLE
56	P70-020-0600	MOTOR SUPPORT PLATE

NOTE: It is our policy to continually improve products and as such we reserve the right to alter data, specifications and component parts without prior notice.

IMPORTANT: No liability is accepted for incorrect use of product.

WARRANTY: Guarantee is 12 months from purchase date, proof of which will be required for any claim.

Sealey Group, Kempson Way, Suffolk Business Park, Bury St Edmunds, Suffolk. IP32 7AR



01284 757500



01284 703534



sales@sealey.co.uk



www.sealey.co.uk