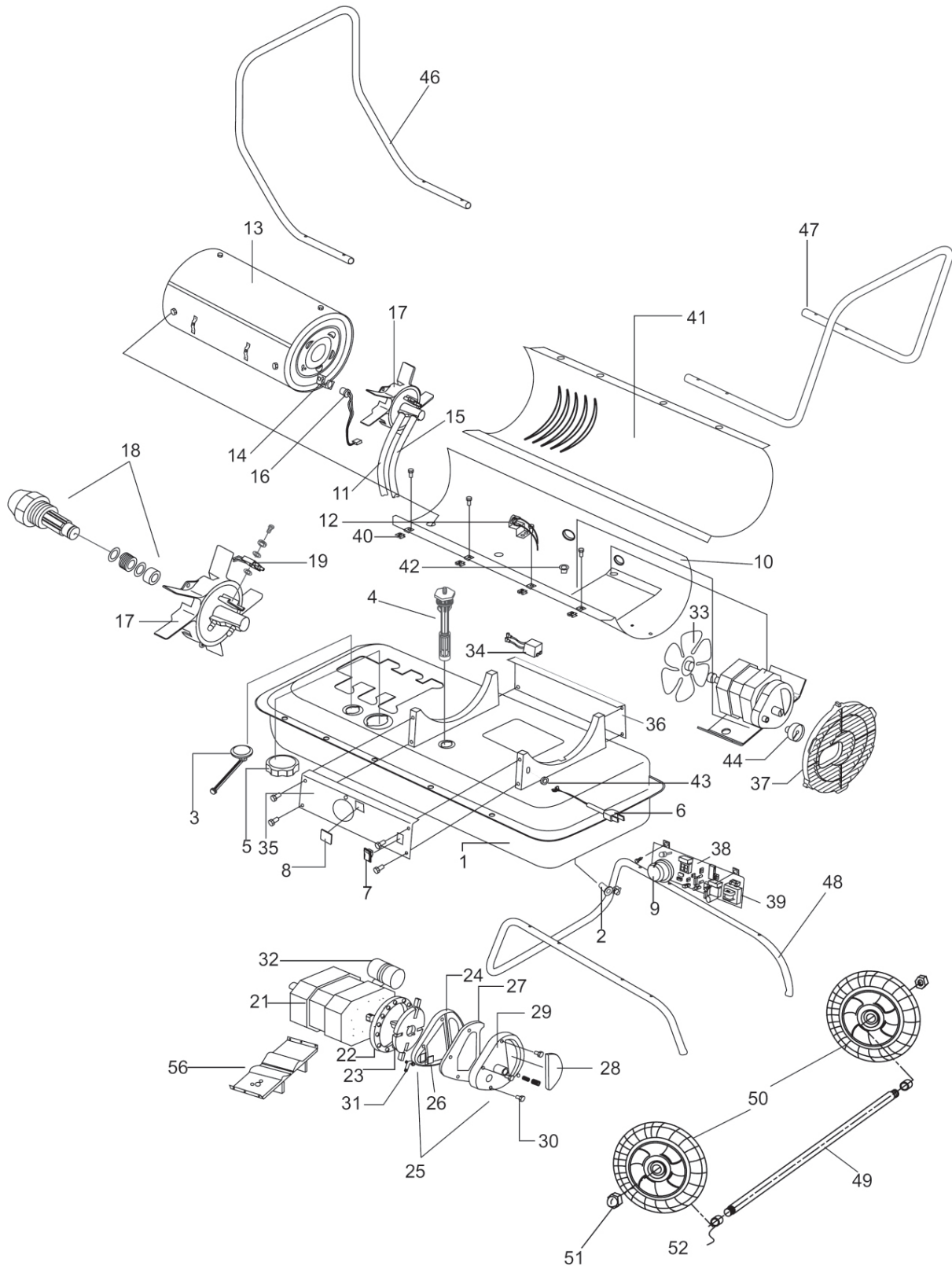




Parts Information:  
Space Warmer® Paraffin/Kerosene/Diesel  
Heater 215,000Btu/hr with Wheels  
Model No: AB2158.V3



**NOTE:** It is our policy to continually improve products and as such we reserve the right to alter data, specifications and component parts without prior notice.

**IMPORTANT:** No liability is accepted for incorrect use of product.

**WARRANTY:** Guarantee is 12 months from purchase date, proof of which will be required for any claim.

Sealey Group, Kempson Way, Suffolk Business Park, Bury St Edmunds, Suffolk. IP32 7AR



01284 757500



01284 703534



sales@sealey.co.uk



www.sealey.co.uk



Parts Information:  
Space Warmer® Paraffin/Kerosene/Diesel  
Heater 215,000Btu/hr with Wheels  
Model No: AB2158.V3

Item	Part No.	Description
1	P70-002-0305	FUEL TANK
2	P70-002-0105	DRAIN PLUG
3	P70-007-0215	FUEL GAUGE
4	P70-003-0200	FUEL FILTER ASS'Y
5	P70-006-0135	FUEL CAP - PLASTIC
6	MC3CX1.5	MAINS CABLE BLK, 3 CORE, 1.5MM2
7	P70-038-0110	POWER SWITCH (ROCKER)
8	P70-040-0100	WINDOW DISPLAY
9	P70-031-0100	THERMOSTAT CONTROL KNOB
10	P70-001-3011	LOWER COVER
11	P70-035-0500	AIR HOSE
12	P70-019-0200	TEMPERATURE LIMIT SWITCH
13	P70-011-0530	COMBUSTION CHAMBER
14	P70-010-0101	FLAME SENSOR BRACKET
15	P70-036-0500	FUEL HOSE
16	P70-016-0100	FLAME SENSOR
17	P70-014-0301	BURNER HEAD
18	P70-015-0500	NOZZLE - DELAVAN 215 K
19	P70-052-0200	SPARK PLUG KIT
21	P70-021-0521	SQUARE MOTOR ASSEMBLY
22	P70-020-0401	PUMP BODY
23	P70-022-0200	ROTOR KIT 5/8" (c/w VANES/CLIP)
24	P70-020-0102	END PUMP COVER
25	P70-054-0100	FILTER KIT
26	P70-054-0102	FILTER
27	P70-054-0100	FILTER KIT

Item	Part No.	Description
28	P70-054-0101	INTAKE FILTER
29	P70-020-0103	END FILTER COVER
30	P70-055-0100	PLUG/PUMP ADJUST KIT
31	P70-014-0104	NIPPLE
32	P70-020-0221	CAPACITOR C65R 12uf 50/60HZ 70x40
33	P70-024-0400	FAN ASSEMBLY
34	P70-037-0330	IGNITOR
35	P70-008-0450	RIGHT SIDE COVER
36	P70-009-0300	LEFT SIDE COVER
37	P70-016-0220	FAN GUARD (2010 ONWARDS)
38	P70-027-0370	MAIN PCB ASSEMBLY
39	P70-027-0101	FUSE T5L 250V 2x0.5
40	P70-001-0105	CLIP NUT
41	P70-001-3010	UPPER COVER
42	P70-017-0100	BUSHING GROMMET
43	P70-033-0200	CORD BUSHING
44	P70-025-0100	AIR PRESSURE GAUGE
46	P70-042-0250	FRONT HANDLE
47	P70-043-0250	REAR HANDLE
48	P70-041-0650	WHEEL SUPPORT FRAME
49	P70-041-0205	WHEEL AXLE
50	P70-041-1400	WHEEL, FIXED (250x12x55)
51	SN12.SD	STEEL NUT M12 DOMED (SINGLE)
52	P70-041-1540	WHEEL BUSHING
56	P70-020-0610	SUPPORT PLATE

**NOTE:** It is our policy to continually improve products and as such we reserve the right to alter data, specifications and component parts without prior notice.

**IMPORTANT:** No liability is accepted for incorrect use of product.

**WARRANTY:** Guarantee is 12 months from purchase date, proof of which will be required for any claim.

Sealey Group, Kempson Way, Suffolk Business Park, Bury St Edmunds, Suffolk. IP32 7AR



01284 757500



01284 703534



sales@sealey.co.uk



www.sealey.co.uk