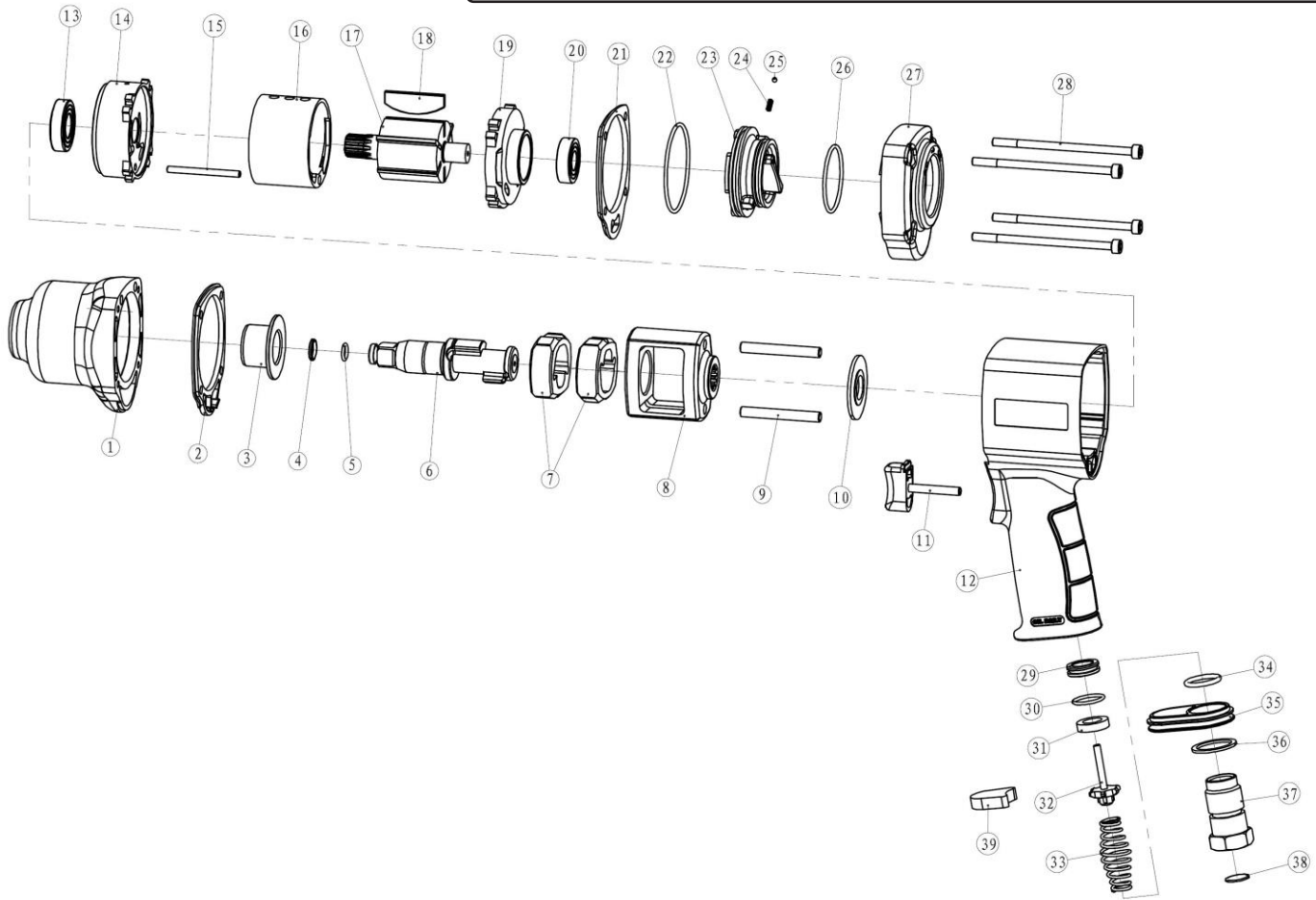




Parts Information:
**Composite Air Impact Wrench 3/4" Sq
 Drive Twin Hammer**
Model No: GSA6004.V2



Item	Part No.	Description
1	GSA6004.V2-01	HAMMER CASE & ANVIL BUSHING
2	GSA6004.V2-02	RUBBER GASKET
4	GSA6004.V2-04	CIRCLIP
5	GSA6004.V2-05	O-RING
6	GSA6004.V2-06	ANVIL
7	GSA6004.V2-07	HAMMER
8	GSA6004.V2-08	HAMMER CAGE
9	GSA6004.V2-09	HAMMER PIN
10	GSA6004.V2-10	GASKET
11	GSA6004.V2-11	TRIGGER
12	GSA6004.V2-11A	HANDLE ASSY
13	GSA6004.V2-13	BEARING
14	GSA6004.V2-14	FRONT END PLATE
15	GSA6004.V2-15	PIN
16	GSA6004.V2-16	CYLINDER
17	GSA6004.V2-17A	ROTOR ASS'Y
18	GSA6004.V2-18	ROTOR VANE
19	GSA6004.V2-19	REAR END PLATE
20	GSA6004.V2-20	BEARING

Item	Part No.	Description
21	GSA6004.V2-21	RUBBER GASKET
22	GSA6004.V2-22	O-RING
23	GSA6004.V2-23	TIMING BUTTON
24	GSA6004.V2-24	SPRING
25	GSA6004.V2-25	STEEL BALL
26	GSA6004.V2-26	O-RING
27	GSA6004.V2-27	REAR COVER
28	GSA6004.V2-28	FASTENING SCREW
29	GSA6004.V2-29	INLET GASKET
30	GSA6004.V2-30	O-RING
31	GSA6004.V2-31	RUBBER SEAL
32	GSA6004.V2-32	INLET VALVE
33	GSA6004.V2-33	INLET SPRING
34	GSA6004.V2-34	O-RING
35	GSA6004.V2-35	PLASTIC COVER
36	GSA6004.V2-36	GASKET
37	GSA6004.V2-37	AIR INLET
38	GSA6004.V2-38	AIR INLET SCREEN
39	GSA6004.V2-39	MUFFLER

NOTE: It is our policy to continually improve products and as such we reserve the right to alter data, specifications and component parts without prior notice.

IMPORTANT: No liability is accepted for incorrect use of product.

WARRANTY: Guarantee is 12 months from purchase date, proof of which will be required for any claim.

Sealey Group, Kempson Way, Suffolk Business Park, Bury St Edmunds, Suffolk. IP32 7AR



01284 757500



01284 703534



sales@sealey.co.uk



www.sealey.co.uk