

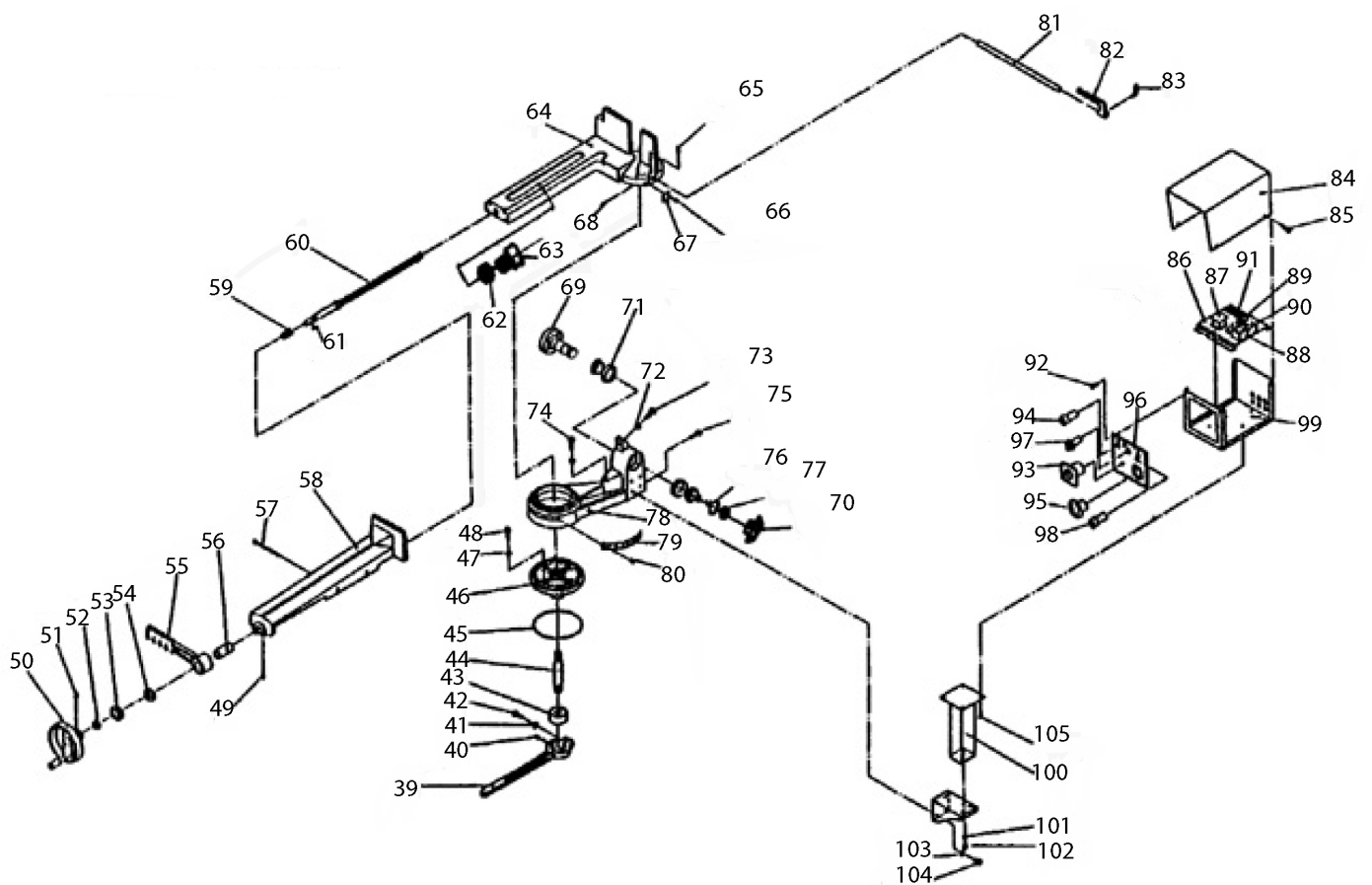
Item	Part No.	Description
1	SM354CE.001	BASE (RIGHT SIDE)
2	SM354CE.001-1	BASE (LEFT SIDE)
3	SS1240.S	HEX HEAD SET SCREW M12x40mm SINGLE
4	SN12.S	STEEL NUT M12 ZINC DIN934(SINGLE)
5	SM354CE.004	BASE COVER PLATE
6	SS816.S	HEX HEAD SET SCREW M8x16mm SINGLE
7	FWM8.S	FLAT WASHER M8 SINGLE
8	SN8.S	STEEL NUT M8 ZINC DIN934 (SINGLE)
9	FWM10.S	FLAT WASHER M10 SINGLE
10	SWM10.S	SPRING WASHER M10 ZINC (SINGLE)
11	SS1025.S	HEX HEAD SET SCREW M10x25mm SINGLE
12	SCB68.SB	SOCKET HEAD CAP SCREW M6x8 BLACK
13	SM354CE.012	PLATE
14	SCB820.SB	SOCKET HEAD CAP SCREW M8x20 BLACK
15	FWM8.S	FLAT WASHER M8 SINGLE
16	SCB820.SB	SOCKET HEAD CAP SCREW M8x20 BLACK
17	SWM8.S	SPRING WASHER M8 ZINC (SINGLE)
18	FWM8.S	FLAT WASHER M8 SINGLE
19	SM354CE.017	SUPPORTING PLATE
20	SN8.S	STEEL NUT M8 ZINC DIN934 (SINGLE)

Item	Part No.	Description
21	FWM8.S	FLAT WASHER M8 SINGLE
22	SM354CE.019-1	SUPPORT PLATE
23	SS1025.S	HEX HEAD SET SCREW M10x25mm SINGLE
24	SWM10.S	SPRING WASHER M10 ZINC (SINGLE)
25	FWM10.S	FLAT WASHER M10 SINGLE
26	SM354CE.028	BLOCK PLATE
27	SS1240.S	HEX HEAD SET SCREW M12x40mm SINGLE
28	SN12.S	STEEL NUT M12 ZINC DIN934(SINGLE)
29	SM354CE.033	FILTER
30	MSP56.S	MACHINE SCREW PAN HEAD PHILLIPS M5x6mm
31	FWM5.S	FLAT WASHER M5 SINGLE
32	SCB525.SB	SOCKET HEAD CAP SCREW M5x25 BLACK
33	FWM5.S	FLAT WASHER M5 SINGLE
34	SM354CE.037	HOSE (5/16"x125mm)
35	SM354CE.038	HOSE CLAMP
36	SM354CE.039	PUMP
37	SM354CE.040	PLUG M3/8"
38	SM354CE.041	COOLANT TRAY

NOTE: It is our policy to continually improve products and as such we reserve the right to alter data, specifications and component parts without prior notice.

IMPORTANT: No liability is accepted for incorrect use of product.

WARRANTY: Guarantee is 12 months from purchase date, proof of which will be required for any claim.



NOTE: It is our policy to continually improve products and as such we reserve the right to alter data, specifications and component parts without prior notice.

IMPORTANT: No liability is accepted for incorrect use of product.

WARRANTY: Guarantee is 12 months from purchase date, proof of which will be required for any claim.



Parts Information:
Industrial Power Bandsaw 210mm
Model No: SM354CE

Item	Part No.	Description
39	SM354CE.042	LOCKING LEVER
40	GSM1014.S	GRUB SCREW M10x14 (SINGLE)
41	SWM10.S	SPRING WASHER M10 ZINC (SINGLE)
42	SCB1045.SB	SOCKET HEAD CAP SCREW M10x45 BLACK
43	SM354CE.046	NUT
44	SM354CE.047	SHAFT
45	SM354CE.048	OIL SEAL
46	SM354CE.050	DISC
47	SWM8.S	SPRING WASHER M8 ZINC (SINGLE)
48	SCB825.S	SOCKET CAP BOLT ZINC M8X25
49	GSM810.S	GRUB SCREW M8x10 (SINGLE)
50	SM354CE.054	HAND WHEEL 5-1/2"
51	GSM612.S	GRUB SCREW M6x12 (SINGLE)
52	SM354CE.056	NUT(M20) WITH GRUB SCREW
53	SM354CE.057	BUSHING
54	B/51104	BEARING RACE 51104
55	SM354CE.059	LOCK HANDLE
56	SM354CE.060	BUSHING
57	SCB610.SB	SOCKET CAP BOLT BLACK M6X10
58	SM354CE.062	TABLE + VISE
59	SM354CE.063	COMPRESSED SPRING
60	SM354CE.064	LEAD SCREW
61	SM354CE.064-1	KEY (5x5x15)
62	SM354CE.064-2	WASHER M8
63	SM354CE.064-3	SOCKET CAP BOLT BLACK M8X10
64	SM354CE.066	WISE(LSA)
65	GSM810.S	GRUB SCREW M8x10 (SINGLE)
66	SCB56.SB	SOCKET HEAD CAP SCREW M5x6 BLACK
67	SM354CE.069	SCALE POINT
68	GSM810.S	GRUB SCREW M8x10 (SINGLE)
69	SM354CE.071	PIVOT
70	SM354CE.072	COVER
71	B/32006	BEARING 32006
72	SN10.S	STEEL NUT M10 ZINC DIN934(SINGLE)
73	SS1040.S	HEX HEAD SET SCREW M10x40mm SINGLE

Item	Part No.	Description
74	SS1025.S	HEX HEAD SET SCREW M10x25mm SINGLE
75	SM354CE.076	SPRING PIN
76	SM354CE.077	STAR WASHER M30
77	SM355CE.146	SPECIAL NUT M30
78	SM354CE.079	SWING ARM
79	SM354CE.080	SCALE
80	SM354CE.081	RIVET 2MM
81	SM354CE.082	STOP-BAR ROD
82	SM354CE.083	ROD
83	SM354CE.084	SCREW (5/16 x 3/4)
--	SM354CE.085	COVER (NOT SHOWN)
84	SM354CE.086	HEX SOCKET CAP SCREW (M5x8)
85	MSP56.S	MACHINE SCREW PAN HEAD PHILLIPS M5x6mm
86	SM354CE.089	BOTTOM PLATE FOR CONTROL BOX
87	SM354CE.090-1	TRANSFORMER
88	SM354CE.090-2	MAGNETIC CONNECTOR
89	SM354CE.090-3	FUSE SEAT
90	SM354CE.090-4	OVERLOAD RELAY
91	SM354CE.090-5	CONTACT
92	SM354CE.091	SCREW (M5x10)
93	SM354CE.092-1	MAIN SWITCH
94	SM354CE092-1A	POWER SWITCH
95	SM354CE.092-2	POWER INDICATOR LIGHT (SO)
96	SM354CE.092-3	EMERGENCY SWITCH
97	SM354CE.093-H	CONTROL BOX PANEL
98	SM354CE.093H1	MANUAL/AUTO SELECTOR
99	SM354CE.093H2	START BUTTON
100	SM354CE.094	CONTROL BOX BOTTOM
101	SM354CE.095	SUPPORT
--	SM354CE.096	BRACKET (NOT SHOWN)
101	SWM8.S	SPRING WASHER M8 ZINC (SINGLE)
102	SCB820.SB	SOCKET HEAD CAP SCREW M8x20 BLACK
103	SWM8.S	SPRING WASHER M8 ZINC (SINGLE)
104	SCB820.SB	SOCKET HEAD CAP SCREW M8x20 BLACK
105	SCB510.SB	SOCKET HEAD CAP SCREW M5x10 BLACK

NOTE: It is our policy to continually improve products and as such we reserve the right to alter data, specifications and component parts without prior notice.

IMPORTANT: No liability is accepted for incorrect use of product.

WARRANTY: Guarantee is 12 months from purchase date, proof of which will be required for any claim.

Sealey Group, Kempson Way, Suffolk Business Park, Bury St Edmunds, Suffolk. IP32 7AR



01284 757500



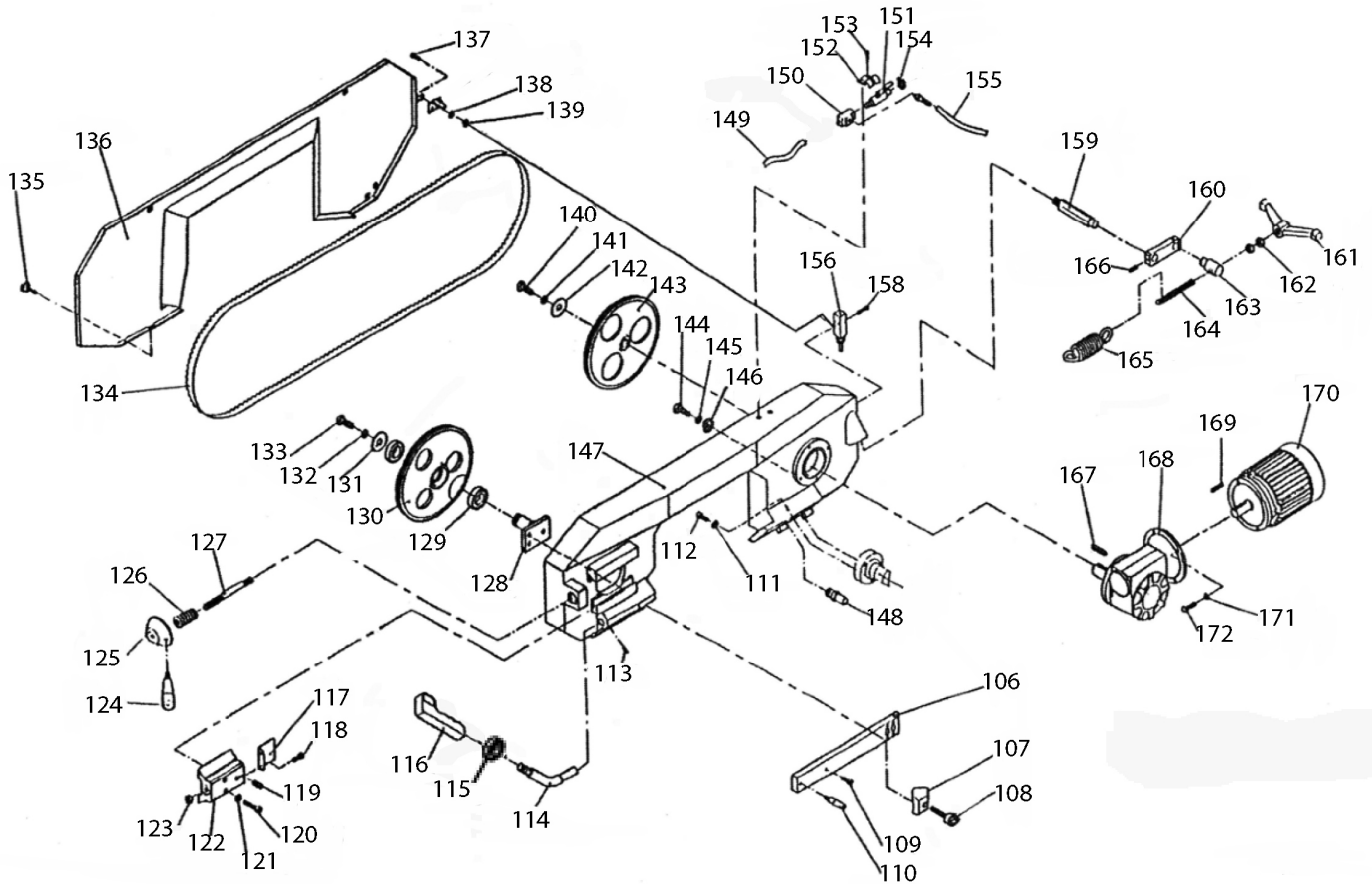
01284 703534



sales@sealey.co.uk



www.sealey.co.uk



NOTE: It is our policy to continually improve products and as such we reserve the right to alter data, specifications and component parts without prior notice.

IMPORTANT: No liability is accepted for incorrect use of product.

WARRANTY: Guarantee is 12 months from purchase date, proof of which will be required for any claim.



Parts Information:
Industrial Power Bandsaw 210mm
Model No: SM354CE

Item	Part No.	Description
106	SM354CE.103	BEARING BRACKET
107	SM354CE.104	BRACKET
108	SCB1045.SB	SOCKET HEAD CAP SCREW M10x45 BLACK
109	SCB68.SB	SOCKET HEAD CAP SCREW M6x8 BLACK
110	SM354CE.107	PLASTIC HANDLE M6
111	SWM8.S	SPRING WASHER M8 ZINC (SINGLE)
112	SCB825.SB	SOCKET HEAD CAP SCREW M8x25 BLACK
113	GSM820.S	GRUB SCREW M8x20 (SINGLE)
114	SM354CE.114	ROD
115	SM354CE.115	HALF NUT BLACK M16
116	SM354CE.116	TRIGGER SWITCH
117	SM354CE.117	COVER PLATE
118	SCB68.SB	SOCKET HEAD CAP SCREW M6x8 BLACK
119	SM354CE.119	SET SCREW (M10x25)
120	SCB1040.SB	SOCKET HEAD CAP SCREW M10x40 BLACK
121	SWM10.S	SPRING WASHER M10 ZINC (SINGLE)
122	SM354CE.122A	SLIDE
123	SN16.SB	STEEL NUT M16 BLACK (SINGLE)
124	SM354CE.124	HANDLE
125	SM354CE.125	HANDWHEEL
126	SM354CE.126	CURVED WASHER
127	SM354CE.127	TENSION SHAFT
128	SM354CE.128A	SHAFT
129	B/6006-2RS	BEARING 6006-2RS
130	SM354CE.130	IDLE FLYWHEEL
131	SM354CE.131	SPACER
132	SWM10.S	SPRING WASHER M10 ZINC (SINGLE)
133	SS1025.S	HEX HEAD SET SCREW M10x25mm SINGLE
134	SM354CE.134A	BLADE
--	SM354B14	BANDSAW BLADE 2105 x 20 x 0.9mm 14tpi (NOT SHOWN)
--	SM354B18	BANDSAW BLADE 2105 x 20 x 0.9mm 18tpi (NOT SHOWN)
--	SM354B24	BANDSAW BLADE 2105 x 20 x 0.9mm 24tpi (NOT SHOWN)
135	SM355CE.150	KNOB BOLT M6X10
136	SM354CE.136A	BLADE COVER
137	SM354CE.137	SCREW (M4x8)

Item	Part No.	Description
138	FWM4.S	FLAT WASHER M4 SINGLE
139	SN4.S	STEEL NUT M4 ZINC DIN934 (SINGLE)
140	SS1025.S	HEX HEAD SET SCREW M10x25mm SINGLE
141	SWM10.S	SPRING WASHER M10 ZINC (SINGLE)
142	SM354CE.141	THICK BLACK WASHER M10x40
143	SM354CE.142	DRIVE FLYWHEEL
144	SCB835.SB	SOCKET HEAD CAP SCREW M8x35 BLACK
145	SWM8.S	SPRING WASHER M8 ZINC (SINGLE)
146	FWM8.S	FLAT WASHER M8 SINGLE
147	SM354CE.145A	SAW ARM
148	SM354CE.145-1	1 SET SHAFT
149	SM354CE.146	HOSE (5/16"x75cm)
150	SM354CE.147	PIPE FITTING 1/4P X 1/16 (LSA)
--	SM354CE.148A	PIPE FITTING SEAT (NOT SHOWN)
151	SM354CE.150	COOLANT SWITCH 1/4P X 5/16
152	SM354CE.150-1	1 BRACE
153	MSP56.S	MACHINE SCREW PAN HEAD PHILLIPS M5x6mm
154	SM354CE.151	HOSE CLAMP
155	SM354CE.152	HOSE (5/16"x35cm)
156	SM355CE.170	LIMIT SWITCH
157	--	1 SWITCH PIN (NOT SHOWN)
158	MSP430.S	MACHINE SCREW PAN HEAD PHILLIPS M4x30mm
159	SM354CE.155H1	1 SPRING SHAFT
160	SM354CE.155H2	2 SETTING PLATE
161	SM354CE.155H3	3 HANDLE
162	SM354CE.155H4	4 NUT M16
163	SM354CE.155H5	5 BUSHING
164	SM354CE.155H5	6 ADJUSTABLE SHAFT
165	SM354CE.155H6	7 SPRING
166	GSM810.S	GRUB SCREW M8x10 (SINGLE)
167	SM354CE.157	KEY 7X7X25
168	SM354CE.158	GEARBOX
169	SM354CE.159	KEY (5x5x25)
170	SM354CE.160	MOTOR
171	SWM8.S	SPRING WASHER M8 ZINC (SINGLE)
172	SS825.S	HEX HEAD SET SCREW M8x25mm SINGLE

NOTE: It is our policy to continually improve products and as such we reserve the right to alter data, specifications and component parts without prior notice.

IMPORTANT: No liability is accepted for incorrect use of product.

WARRANTY: Guarantee is 12 months from purchase date, proof of which will be required for any claim.

Sealey Group, Kempson Way, Suffolk Business Park, Bury St Edmunds, Suffolk. IP32 7AR



01284 757500



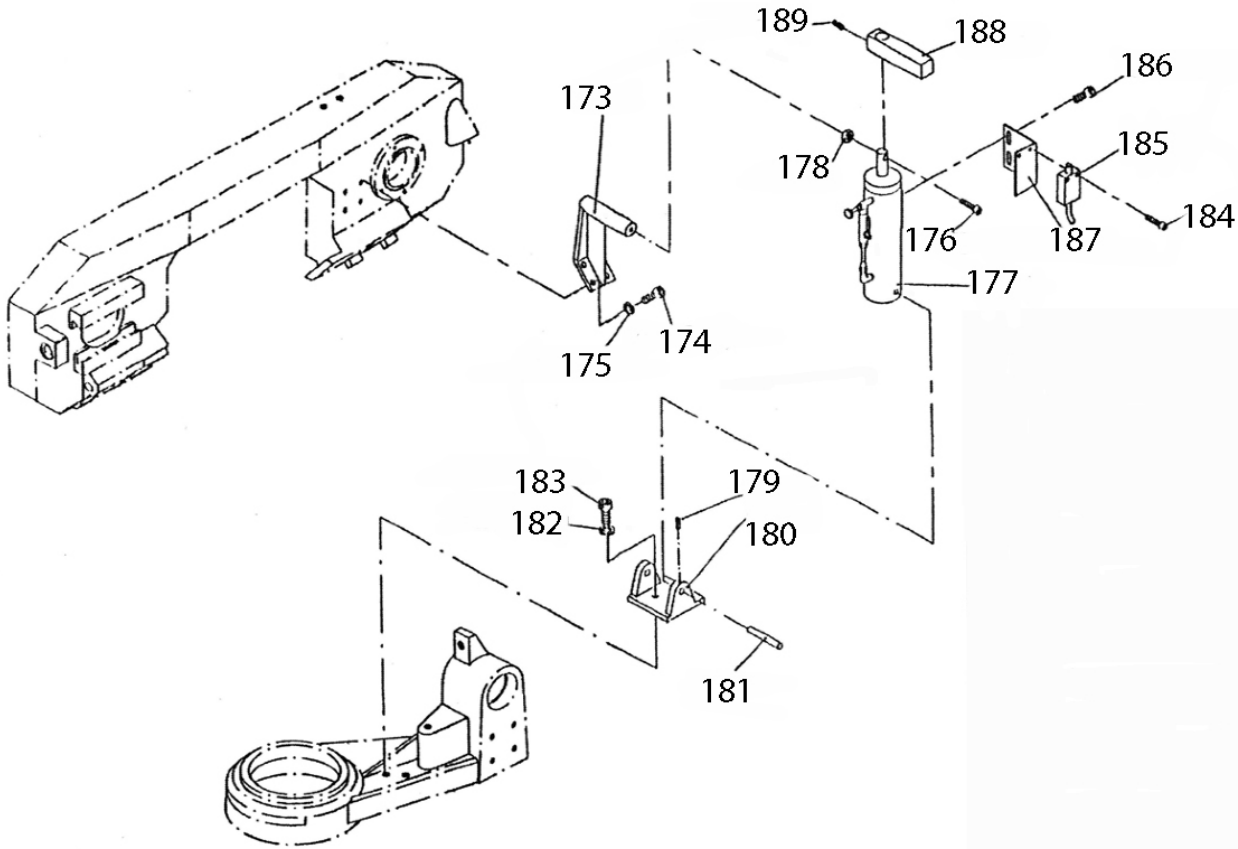
01284 703534



sales@sealey.co.uk



www.sealey.co.uk



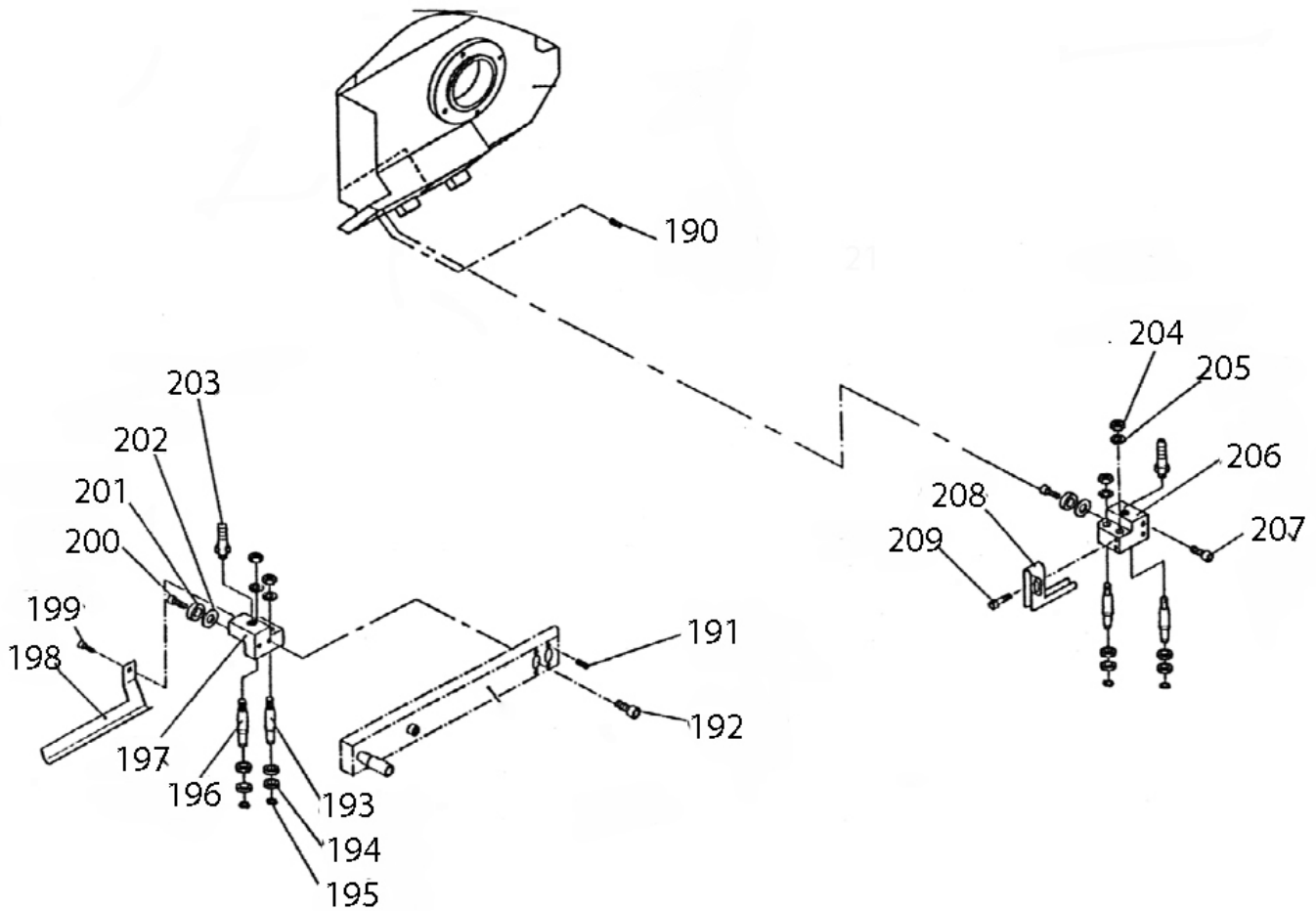
Item	Part No.	Description
173	SM354CE.021H1	TOP SUPPORT
174	SM354CE.021H2	SOCKET CAP BOLT BLACK M8X20
175	SM354CE.021H3	SPRING WASHER (M8)
176	SM354CE.021H4	HEX HEAD BOLT BLACK M10X50
177	SM354CE.021H5	HYDRAULIC CYLINDER
178	SM354CE.021H6	NUT M10
179	SM354CE.021H7	SOCKET CAP BOLT BLACK M6X12
180	SM354CE.021H8	BOTTOM SUPPORT
181	SM354CE.021H9	SUPPORT ROD

Item	Part No.	Description
182	SM354CE021H10	SPRING WASHER
183	SM354CE021H11	SOCKET CAP BOLT BLACK M8X20
184	SM354CE021H12	HEX SOCKET CAP SCREW (M4x25)
185	SM354CE021H13	LIMIT SWITCH
186	SM354CE021H14	PAN HEAD MACHINE SCREW BLACK M6X6
187	SM354CE021H15	ADJUSTING BRACKET
188	SM354CE021H16	SETTING BRACKET
189	GSM66.S	GRUB SCREW M6x6 (SINGLE)

NOTE: It is our policy to continually improve products and as such we reserve the right to alter data, specifications and component parts without prior notice.

IMPORTANT: No liability is accepted for incorrect use of product.

WARRANTY: Guarantee is 12 months from purchase date, proof of which will be required for any claim.



Item	Part No.	Description
190	GSM612.S	GRUB SCREW M6x12 (SINGLE)
191	GSM612.S	GRUB SCREW M6x12 (SINGLE)
192	SCB830.SB	SOCKET HEAD CAP SCREW M8x30 BLACK
193	SM354CE.173	CENTRIC SHAFT
194	B/608ZZ	BEARING 608ZZ
195	SM354CE.175	E-RING E7
196	SM354CE.176	ECCENTRIC SHAFT
197	SM354CE.177	BEARING SEAT (FRONT)
198	SM354CE.178	FRONT BLADE GUARD
199	SM354CE.179	HEX SOCKET CAP SCREW (M6x8)
200	SM354CE.180	HEX SOCKET CAP SCREW (M8x20)

Item	Part No.	Description
201	B/608ZZ	BEARING 608ZZ
202	SWM8.S	SPRING WASHER M8 ZINC (SINGLE)
203	SM354CE.183	PIPE FITTING (1/4"P x 5/16)
204	SN8.S	STEEL NUT M8 ZINC DIN934 (SINGLE)
205	SWM8.S	SPRING WASHER M8 ZINC (SINGLE)
206	SM354CE.186	BEARING SEAT (REAR)
207	SCB825.S	SOCKET CAP BOLT ZINC M8X25
208	SM354CE.189	REAR BLADE GUARD
209	SCB68.SB	SOCKET HEAD CAP SCREW M6x8 BLACK
--	SM354CE021H5	Ø HYDRAULIC CYLINDER (NOT SHOWN)

NOTE: It is our policy to continually improve products and as such we reserve the right to alter data, specifications and component parts without prior notice.

IMPORTANT: No liability is accepted for incorrect use of product.

WARRANTY: Guarantee is 12 months from purchase date, proof of which will be required for any claim.