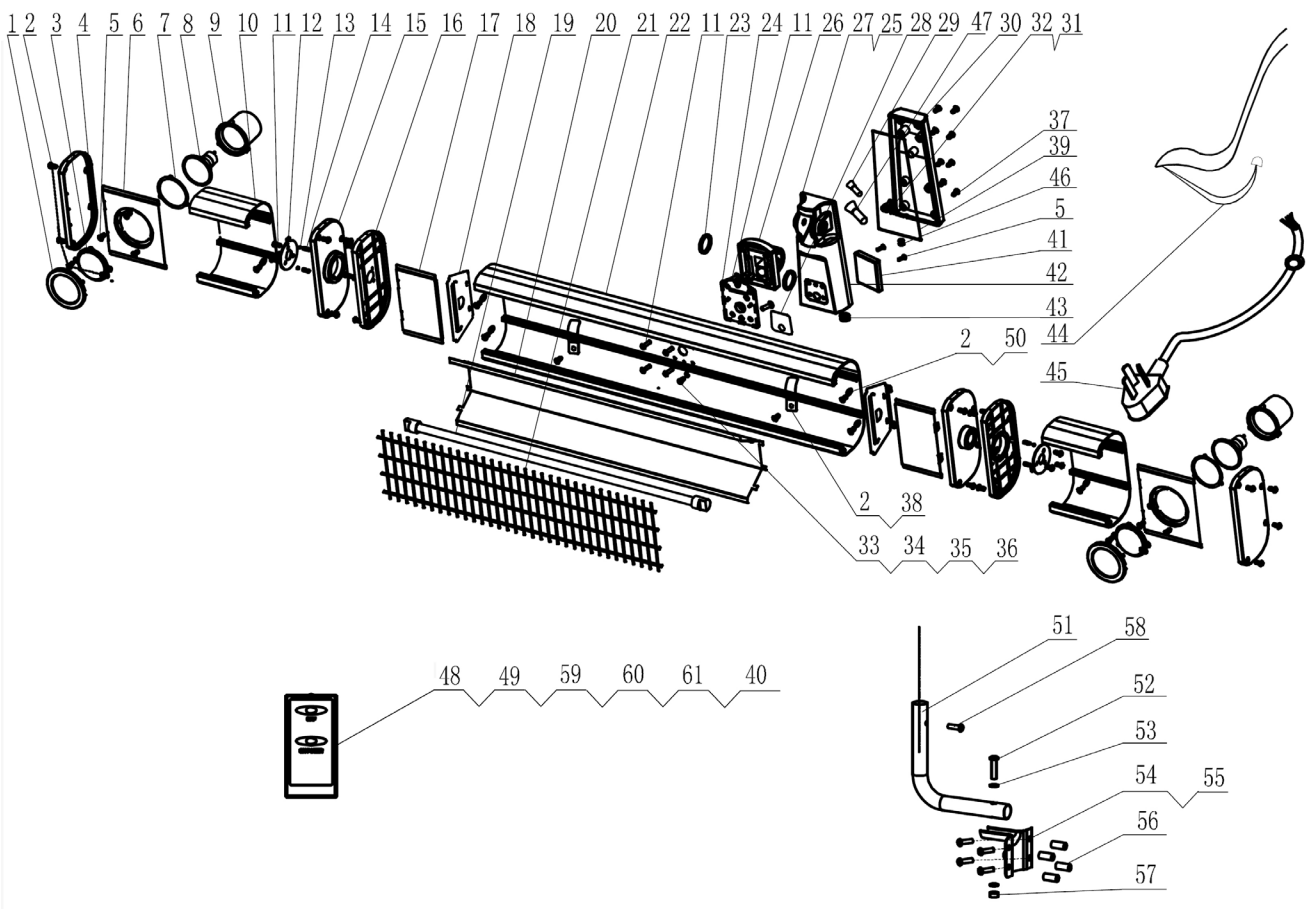




Parts Information:
High Efficiency Carbon Fibre Infrared Wall Heater 1800W/230V with LED Lights
Model No: IWMH1809LR



NOTE: It is our policy to continually improve products and as such we reserve the right to alter data, specifications and component parts without prior notice.

IMPORTANT: No liability is accepted for incorrect use of product.

WARRANTY: Guarantee is 12 months from purchase date, proof of which will be required for any claim.

Sealey Group, Kempson Way, Suffolk Business Park, Bury St Edmunds, Suffolk. IP32 7AR



01284 757500



01284 703534



sales@sealey.co.uk



www.sealey.co.uk



Parts Information:
High Efficiency Carbon Fibre Infrared Wall Heater 1800W/230V with LED Lights
Model No: IWMH1809LR

1	IFSH1809LR.01	LED DECO. RING
2	IWMH1809R.01	TAPPING SCREW (ST3*10)
3	IFSH1809LR.03	LENS
4	IWMH1809R.02	SIDE COVER
5	IWMH1809R.27	TAPPING SCREW (ST3*8)
6	IFSH1809LR.06	LED PANEL
7	IFSH1809LR.07	LED SEAL RING
8	IFSH1809LR.08	LED ASSEMBLY
9	IFSH1809LR.09	LED BRACKET
10	IFSH1809LR.10	LED HOUSING
11	IWMH1809R.09	TAPPING SCREW (ST4*10)
12	IFSH1809LR.12	DISC
13	SB-3.2	STEEL BALL 3.2mm
14	IFSH1809LR.14	SPRING
15	IFSH1809LR.15	LED HINGE (A) (SO)
16	IFSH1809LR.16	LED HINGE (B) (SO)
17	IWMH1809R.03	HEATER PANEL
18	IWMH1809R.04	REFLECTOR BRACKET
19	IWMH1809R.05	HEATING ELEMENT (CARBON FIBRE 230V/1800W)
20	IWMH1809R.06	REFLECTOR
21	IWMH1809R.07	GUARD
22	IWMH1809R.08	HEATER HOUSING
23	IWMH1809R.10	HINGE SEAL RING
24	IWMH1809R.11	HINGE COVER
25	IWMH1809R.14	HALF NUT M8
26	IWMH1809R.12	HINGE
27	MSP840.S	MACHINE SCREW PAN HEAD PHILLIPS M8x40mm
28	IWMH1809LR.28	PVC STICKER
29	IWMH1809R.16	CONNECTOR CAP
30	IWMH1809R.17	CONTROL BOX COVER
31	IWMH1809R.20	CORD CLAMP
32	IWMH1809R.42	TAPPING SCREW (ST4*12)

Item	Part No.	Description
33	TS10SEW.121	M4 EXT TOOTH WASHER ZINC
34	IWMH1809R.35	SCREW M4*10
35	SWM4.S	SPRING WASHER M4 (SINGLE)
36	SN4.S	STEEL NUT M4 ZINC DIN934 (SINGLE)
37	IWMH1809R.24	TAPPING SCREW (ST4*14)
38	IWMH1809R.21	INTERNAL WIRES CLIP
39	IWMH1809R.26	SEAL RING
40	IWMH1809R.49	TAPPING SCREW (ST3*6)
41	IWMH1809LR.41	RC RECEIVER PCB
42	IWMH1809R.29	CONTROL BOX
43	IWMH1809R.30	CORD BUSH
44	IWMH1809LR.44	INTERNAL WIRES ASSEMBLY
45	MC3CX1.0R	MAINS CABLE BLK, 3 CORE, (RUBBER) 1.0MM2
46	IWMH1809R.44	PLASTIC PLUG
47	IWMH1809R.43	CONNECTOR CAP
48	IWMH1809LR.48	RC PVC STICKER
49	IWMH1809R.45	RC UPPER HOUSING
50	IWMH1809R.41	M3 EXT TOOTH WASHER BLACK
51	IWMH1809R.18	L TUBE
52	MSP632.S	MACHINE SCREW PAN HEAD PHILLIPS M6x32mm
53	IWMH1809R.23	M2 WASHER
54	IWMH1809R.25	L TUBE BRACKET
55	IWMH1809R.33	TAPPING SCREW (ST4*30)
56	IWMH1809R.39	PLASTIC PLUG
57	SN6.S	STEEL NUT M6 ZINC DIN934 (SINGLE)
58	MSP615.S	MACHINE SCREW PAN HEAD PHILLIPS M6x15mm
59	IWMH1809R.46	RC LOWER HOUSING
60	IWMH1809R.47	BATTERY COVER
61	IWMH1809R.48	RC PCB

NOTE: It is our policy to continually improve products and as such we reserve the right to alter data, specifications and component parts without prior notice.

IMPORTANT: No liability is accepted for incorrect use of product.

WARRANTY: Guarantee is 12 months from purchase date, proof of which will be required for any claim.

Sealey Group, Kempson Way, Suffolk Business Park, Bury St Edmunds, Suffolk. IP32 7AR



01284 757500



01284 703534



sales@sealey.co.uk



www.sealey.co.uk