



RACKING UNIT WITH 5 SHELVES (150KG CAPACITY PER LEVEL)

MODEL NO: **AP6150.V2 & AP6150GS.V2**

Thank you for purchasing a Sealey product. Manufactured to a high standard, this product will, if used according to these instructions, and properly maintained, give you years of trouble free performance.

IMPORTANT: PLEASE READ THESE INSTRUCTIONS CAREFULLY. NOTE THE SAFE OPERATIONAL REQUIREMENTS, WARNINGS & CAUTIONS. USE THE PRODUCT CORRECTLY AND WITH CARE FOR THE PURPOSE FOR WHICH IT IS INTENDED. FAILURE TO DO SO MAY CAUSE DAMAGE AND/OR PERSONAL INJURY AND WILL INVALIDATE THE WARRANTY. KEEP THESE INSTRUCTIONS SAFE FOR FUTURE USE.



Refer to instructions



Wear protective gloves

1. SAFETY

- WARNING!** Ensure Health & Safety, and local authority regulations are adhered to when assembling and using this rack.
- Locate rack in a suitable area where it will not be an obstruction.
- Keep the general area clean, uncluttered and ensure there is adequate lighting.
- WARNING!** Erect rack on a level and solid surface such as concrete.
- Keep children and unauthorised persons away from the storage area.
- DO NOT** use the rack for any purpose other than that for which it is are designed.
- DO NOT** site the rack out of doors.
- DO NOT** get the rack wet or use in damp or wet locations or areas where there is condensation.
- DO NOT** clean the shelf supports with any solvents which may damage the surface.
- Ensure that the rack is properly assembled before loading them with heavy items.
- WARNING!** Maximum load for each shelf is 150kg.
- Where possible the rack should be fixed to the wall with suitable fixings
- Place heavier items on the lower shelves.
- Heavier items should be evenly distributed across the shelves.

2. INTRODUCTION

Steel frame with five MDF shelves (AP6350 painted/AP6350GL galvanised). 150kg capacity per level giving a maximum capacity of 750kg per rack. No nuts and bolts means no tools required to assemble. Clips together in minutes. Two piece uprights allow use as a single bay rack, or split in two separate shelf systems or workstations.

3. SPECIFICATION

Model No.....AP6150.V2.....AP6150GS.V2
 Coating.....Paint.....Galvanised
 Height.....1805mm.....1805mm
 Width.....810mm.....810mm
 Depth.....310mm.....310mm

4. CONTENTS

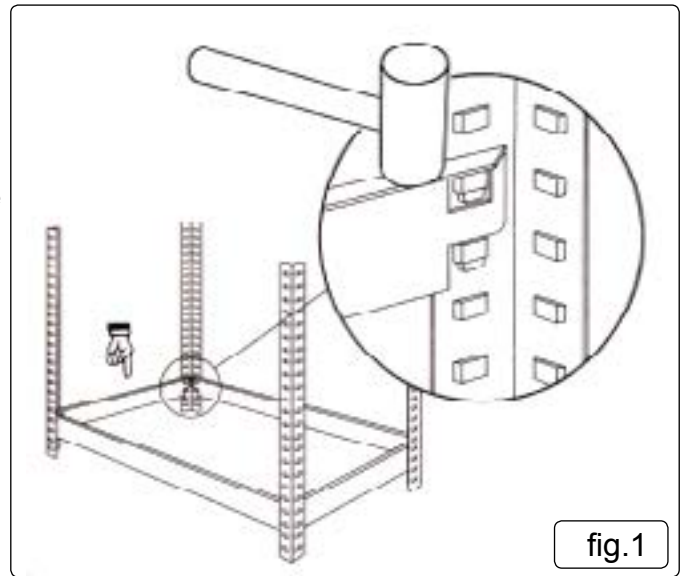
Carefully unpack the product and check the contents against the list below. Should any items be missing or damaged make immediate contact with your Sealey dealer.

Part Description	No. off
Leg Angle Section	8
Leg Angle Joiners	8
Plastic Floor Protectors	8
Shelf Support, Long	10
Shelf Support, Short	10
MDF Shelf	5
Fastener Kit (Nuts & Bolts for joining side by side sections)	4

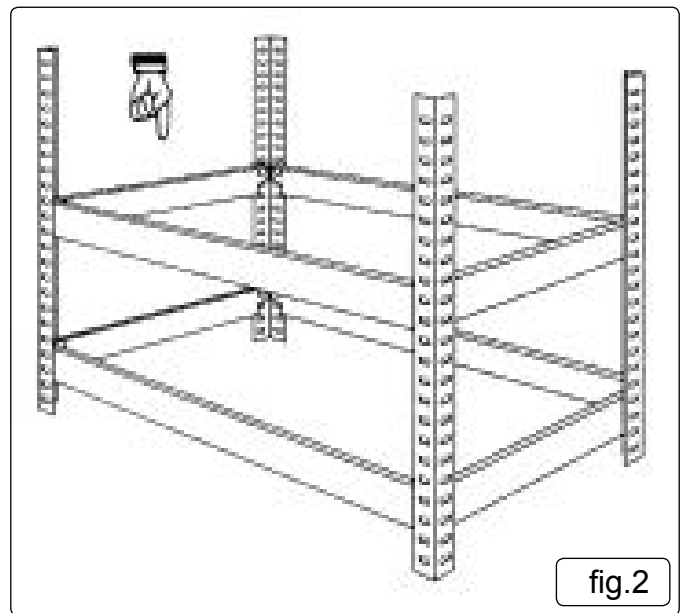


5. ASSEMBLY

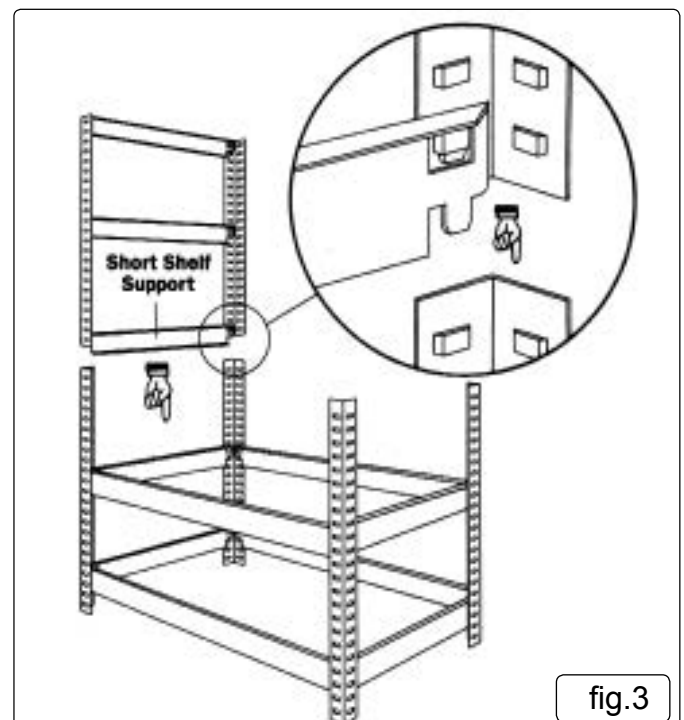
- 5.1. Assemble the frame using a soft faced hammer or mallet as shown in fig.1. If only a hard faced hammer is available hammer onto a piece of wood to avoid damaging the paint surface. Always hammer gently as close as possible to the uprights. Make sure that the shelf support tabs are in line with the leg angle slots. If the tabs and slots are not lining up do not use force as this may damage the tabs. If the tabs are out of line bend them slightly to line up with the slots.
- 5.2. See fig.1. Decide on the position/height of the bottom shelf. Make an end frame by fitting 1 short shelf support between 2 leg angle sections. Make a second end frame ensuring that the shelf support is at the same height as the first end frame. Join the two end frames together using 2 long shelf supports fixed at the same height as the short shelf supports.



- 5.3. See fig.2. Decide on the height of the second shelf. Fit another 2 short shelf supports at the desired height then fit 2 long shelf supports at the same height.



- 5.4. Decide the shelf positions for the upper section of the shelves and assemble two more end frames, each using 2 leg angle sections and 3 short shelf supports ensuring that the shelf supports are at the same height on both frames. The upper half can be joined to the lower half by using the lower shelf supports as shown in fig.3. If the lower shelf is not positioned at the centre of the frame use the special joining pieces supplied as shown in fig.4.
- 5.5. When both upper end frames are in place join them together with the remaining 6 long shelf supports ensuring that they are at the same height as the short shelf supports.



- 5.6. See fig.5. When the frame is complete attach the plastic floor protectors to the bottoms of the angle sections. Get a second person to steady the frame while this is done.
- 5.7. See fig.6. Move the frame into position in the chosen area. Place the 5 MDF shelves onto the shelf supports.

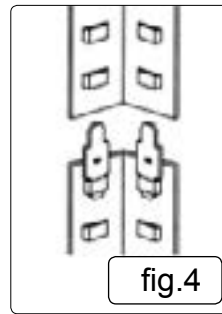


fig.4

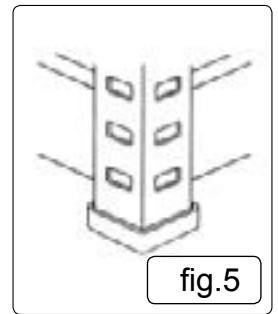


fig.5

- 5.8. See fig.7. To assemble as a bench/low level shelving unit make up two separate frames following steps 4.1 to 4.3 but with different shelving positions. Make up one frame with 3 shelves and one frame with two shelves as shown below. Ensure that the middle and top shelves on both frames are at the same height. Fix the frames together with the four nuts and bolts supplied. Place the 5 MDF shelves into position in the frames.

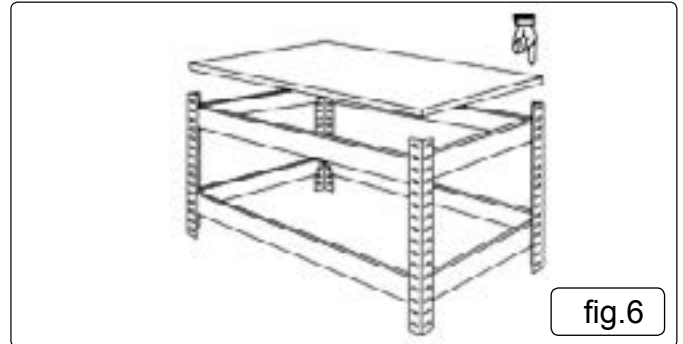


fig.6

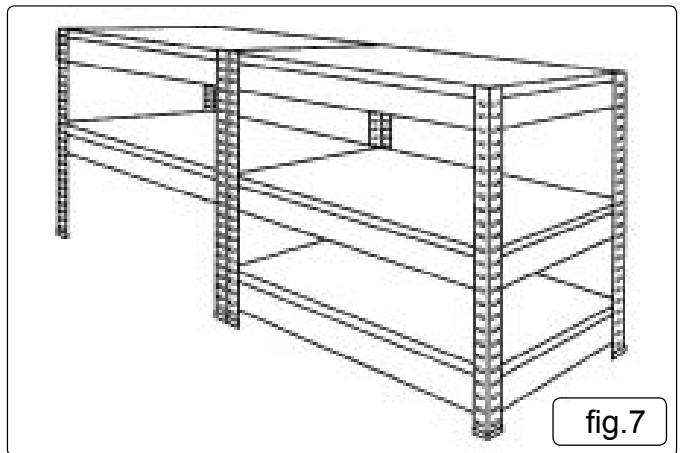


fig.7

- 5.9. See fig.8. To assemble as a corner unit make up two separate frames following steps 4.1 to 4.3 but with different shelving positions. Make up one frame with 3 shelves and one frame with two shelves as shown below. Ensure that the middle and top shelves on both frames are at the same height. Fix the frames together with the four nuts and bolts supplied. Place the 5 MDF shelves into position in the frames.

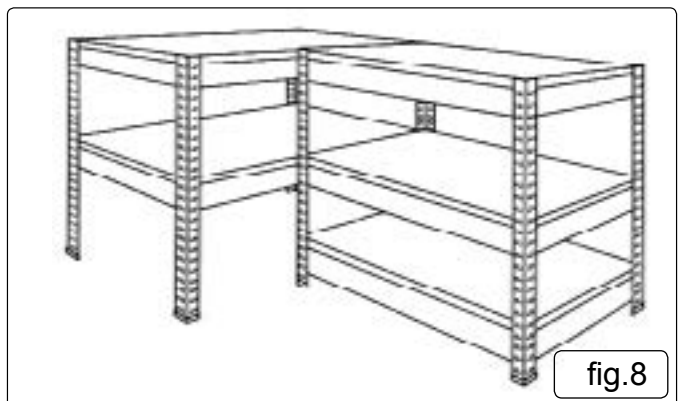


fig.8



ENVIRONMENT PROTECTION

Recycle unwanted materials instead of disposing of them as waste. All tools, accessories and packaging should be sorted, taken to a recycling centre and disposed of in a manner which is compatible with the environment. When the product becomes completely unserviceable and requires disposal, drain any fluids (if applicable) into approved containers and dispose of the product and fluids according to local regulations.

Note: It is our policy to continually improve products and as such we reserve the right to alter data, specifications and component parts without prior notice.

Important: No Liability is accepted for incorrect use of this product.

Warranty: Guarantee is 12 months from purchase date, proof of which is required for any claim.

Sealey Group, Kempson Way, Suffolk Business Park, Bury St Edmunds, Suffolk. IP32 7AR



01284 757500



01284 703534



sales@sealey.co.uk



www.sealey.co.uk