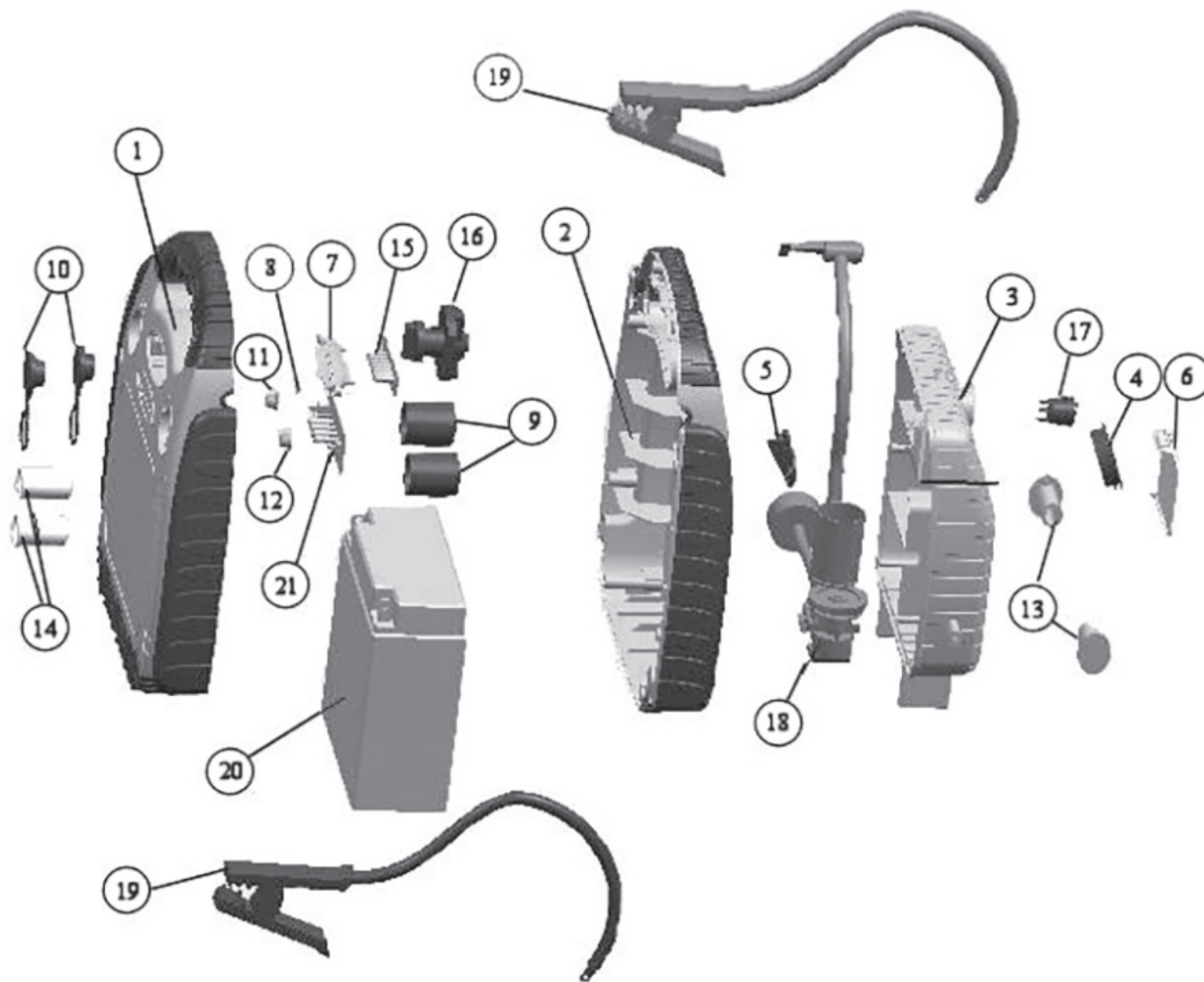




Parts Information:  
**RoadStart® Emergency Power Pack with  
 Air Compressor 12V 900 Peak Amps  
 Model No: RS132.V4**



Item	Part No.	Description
1	RS132.V4-01	Front Case
2	RS132.V4-02	Back Case
3	RS132.V4-03	Pump Case
4	RS1322HV.04	Pump Gauge Cover
5	RS1322HV.05	Fixing Cover for Pump
6	RS1322HV.06	Storage Door
7	RS1312HV.07	Reflector
8	RS1312HV.08	Light Cover
9	RS1312HV.09	Fixing Cover for Socket
10	RS1312HV.10	Waterproof Cover for Switch
11	RS1312HV.11	Light Button
12	RS1312HV.12	Test Button

Item	Part No.	Description
13	RS1312HV.13	Clamp Holder
14	RS1312HV.14	Socket 12V 15A
15	RS1312HV.15	LED Assy
16	RS1312HV.16	Safety Switch
17	RS1322HV.17	Pump Switch
18	RS1322HV.18	Air Compressor
19	RS1312HV.19A	Cable (Positive) Assy inc Clamp
19	RS1312HV.19B	Cable (Negative) Assy inc Clamp
20	RS1312HV.20	Battery 12V 17AH
21	RS1312HV.21	PCB Assy
--	RS1312HVC	Mains Charger 15V 500MA ( <b>not shown</b> )

**NOTE:** It is our policy to continually improve products and as such we reserve the right to alter data, specifications and component parts without prior notice.

**IMPORTANT:** No liability is accepted for incorrect use of product.

**WARRANTY:** Guarantee is 12 months from purchase date, proof of which will be required for any claim.

**Sealey Group**, Kempson Way, Suffolk Business Park, Bury St Edmunds, Suffolk. IP32 7AR



01284 757500



01284 703534



sales@sealey.co.uk



www.sealey.co.uk