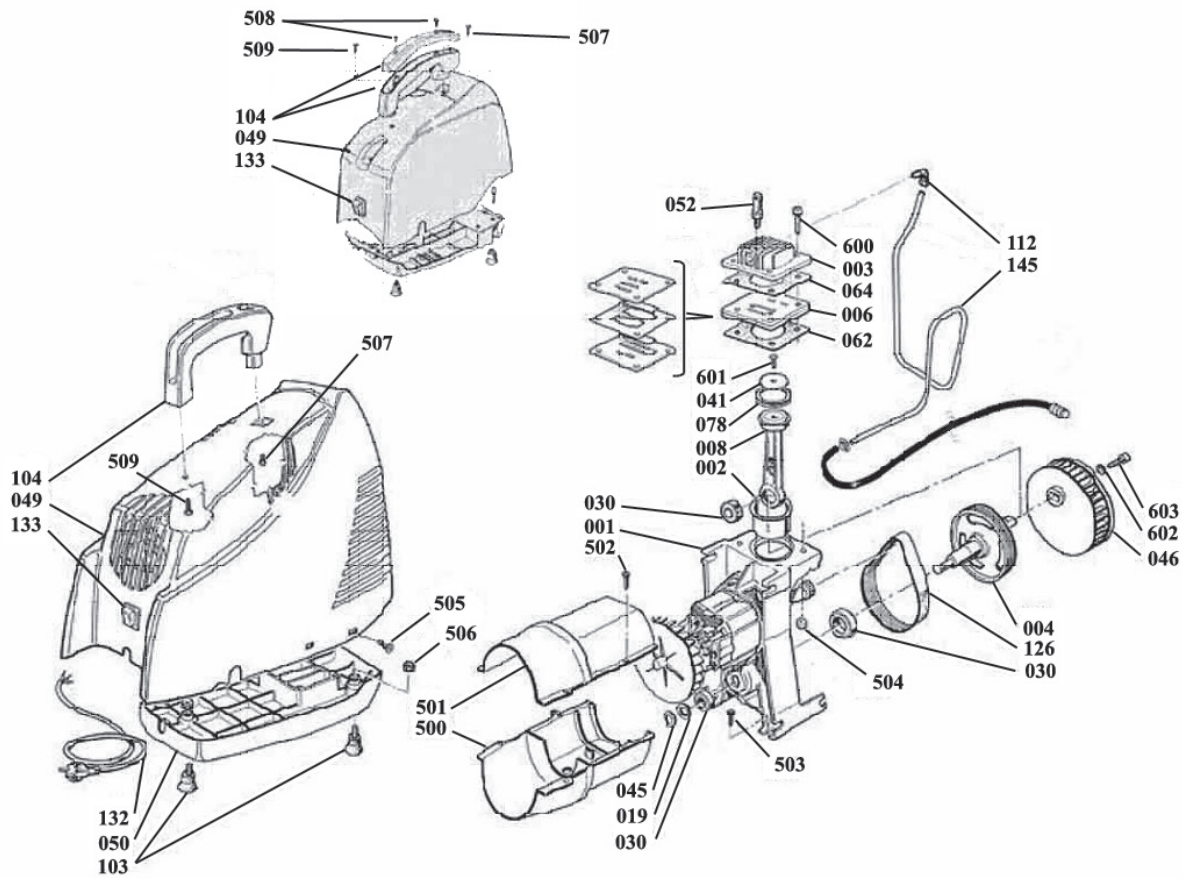




Parts Information:
**Compressor without Tank Belt Drive 1.5hp
 Oil Free
 Model No: SAC00015**



Item	Part No.	Description
001	SAC9416073	KIT CRANKCASE/MOTOR (35mm LONG)
002	SACA631010	CYLINDER
003	SACA661406	HEAD
004	SACA661202	CRANKSHAFT
006	SACA640050	VALVE PLATE SET
008	SAC9429010	CONROD/PISTON ASS'Y
019	SAC9004015	WASHER M12 (USE FWM12.S)
030	B/6001-2RS	BEARING (B/6001-2RS)
041	SACA610300	CONROD COVER
045	SAC9411137	C-RING
046	SAC9038161	FAN
049	SAC833100D	PLASTIC COVER
050	SAC9412577	BOTTOM COVER
052	SAC9050351	VALVE
062	SACA650300	GASKET, CYLINDER
078	SAC9040019	SEAL FOR CONROD SP200
103	SAC9038117	RUBBER FOOT
104	SAC9038138	HANDLE
--	SAC9038198	HANDLE COVER
112	SAC5000917	ELBOW

Item	Part No.	Description
126	SAC9075047	BELT,TOOTHED (PJ307)
132	SAC9415002	POWER CORD
133	SAC9064185	POWER SWITCH
145	SAC9416768	AIR INLET PIPE
500	SAC9038353	LOWER COVER FOR MOTOR
501	SAC9038360	UPPER COVER FOR MOTOR
502	SAC9142591	SCREW
503	SAC9115011	SCREW
504	SAC9122331	NUT
505	SAC9412518	SCREW
506	SAC9122341	NUT
507	SAC9101194	SCREW
508	SAC9142572	SCREW
509	SAC9412053	SCREW
600	SAC9101556	SOCKET CAP SCREW M5 X 16 (LEFT HAND THREAD)
601	SAC9011004	SCREW (M5x16)
602	SAC9131654	WASHER
603	SAC9101055	SCREW (5x16)

NOTE: It is our policy to continually improve products and as such we reserve the right to alter data, specifications and component parts without prior notice.

IMPORTANT: No liability is accepted for incorrect use of product.

WARRANTY: Guarantee is 12 months from purchase date, proof of which will be required for any claim.

Sealey Group, Kempson Way, Suffolk Business Park, Bury St Edmunds, Suffolk. IP32 7AR



01284 757500



01284 703534



sales@sealey.co.uk



www.sealey.co.uk