



# GUN CABINET

MODEL NO: **SKGS3, SKGS5, SKGS8**

Thank you for purchasing a Sealey product. Manufactured to a high standard, this product will, if used according to these instructions, and properly maintained, give you years of trouble free performance.

**IMPORTANT:** PLEASE READ THESE INSTRUCTIONS CAREFULLY. NOTE THE SAFE OPERATIONAL REQUIREMENTS, WARNINGS & CAUTIONS. USE THE PRODUCT CORRECTLY AND WITH CARE FOR THE PURPOSE FOR WHICH IT IS INTENDED. FAILURE TO DO SO MAY CAUSE DAMAGE AND/OR PERSONAL INJURY AND WILL INVALIDATE THE WARRANTY. KEEP THESE INSTRUCTIONS SAFE FOR FUTURE USE.



Refer to instructions

## 1. SAFETY

- WARNING!** These gun cabinets are heavy and care should be exercised in transit and handling to ensure that no one is injured.
- WARNING!** The gun cabinets are a 2 person job for transit and installation.
- For maximum security, these gun cabinets must be securely fixed to a wall or floor.
- Ensure that if secured to the wall, the cabinet is on a firm level surface.
- DO NOT** install in areas where damp and condensation are present.
- WARNING!** The warnings, cautions and instructions referred to in this instruction manual cannot cover all possible conditions and situations that may occur. It must be understood that common sense and caution are factors which cannot be built into this product, but must be applied by the operator.

## 2. INTRODUCTION

Heavy-duty gun cabinets with powder coated paint finish to prevent corrosion. Each cabinet door is evenly locked by five 25mm locking bolts, one top, one bottom and three along the side. Each cabinet includes a set of securing bolts with rear and bottom holes for fixing to the wall and floor. Side walls and floor are carpeted to protect guns from damage when putting away or taking out of the cabinet. SKGS Series include two large keys for locking the main door and two small keys for locking the internal ammo safe. Each gun cabinet is manufactured in accordance with BS 7558:1992.

## 3. SPECIFICATION

Model No: ..... SKGS3  
 External Dimensions (W x D x H):..... 250 x 250 x 1450mm  
 Gun Capacity: ..... 3 (Max. 1260mm)  
 Internal Dimensions (W x D x H): ..... 245 x 175 x 1260mm  
 Nett Weight: ..... 36.62Kg

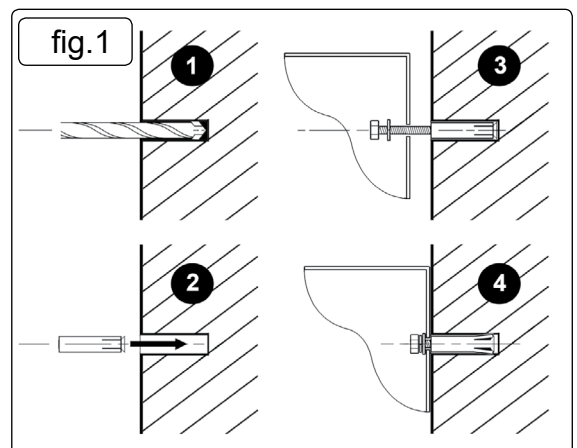
Model No: ..... SKGS5  
 External Dimensions (W x D x H):..... 350 x 340 x 1450mm  
 Gun Capacity: ..... 5 (Max. 1260mm)  
 Internal Dimensions (W x D x H): ..... 345 x 270 x 1260mm  
 Nett Weight: ..... 50.93Kg

Model No: ..... SKGS8  
 External Dimensions (W x D x H):..... 490 x 360 x 1450mm  
 Gun Capacity: ..... 8 (Max. 1260mm)  
 Internal Dimensions (W x D x H): ..... 485 x 290 x 1260mm  
 Nett Weight: ..... 64.24Kg



## 4. INSTALLATION

- 4.1. Consideration should be given to the placing of the gun cabinet to ensure that it is placed in a discreet location and will not be easily found by intruders.
- 4.2. Each gun cabinet is supplied with a set of anchor bolts suitable for fixing to brick and concrete.
- 4.3. Fixing to hollow partition walls is not recommended. If fixed to wood it must be to a solid wooden structure.
- 4.4. Open the door of the gun cabinet (**see 5.1 for opening instructions**) and with the help of a second person, position it where required and mark the mounting positions through the pre-drilled holes in the back or base of the gun cabinet.
- 4.5. Drill 12mm holes to a depth of 67mm (fig. 1.1) and insert the anchor sleeve and nut with bolt and washer removed (fig.1.2).
- 4.6. Position the gun cabinet over the anchor holes. Place a washer over the anchor bolt and insert into sleeve through the gun cabinet, screw into nut and tighten to secure. (fig. 1.3).



## 5. OPERATION

- 5.1. Appoint key holders for the keys provided and discuss security arrangements for the safekeeping and availability of the keys.
- 5.2. To open safe, insert key into lock, it will only fit one way. Turn the key clockwise and open the door. Place guns into the safe.
- 5.3. Place any ammunition into the ammo safe. Insert one of the other smaller keys into the lock and turn clockwise to unlock.
- 5.4. Store the ammunition and fully close the door of the ammo safe and turn the key anti-clockwise to lock. Remove key and keep safe.
- 5.5. Close the door of the cabinet and turn the key anti-clockwise to lock, remove the key and keep safe until required again.

## 6. KEY REPLACEMENT

- 6.1. Should you lose your keys we can supply replacements. To order these please contact our sales office on 01284 757500 and quote the unique serial number relating to your safe, this can be found below or on the front of your safe. We will also require a copy of your purchase invoice for the safe to confirm that you are the owner.
  - IMPORTANT! Under no circumstances will we supply replacement keys without a copy of your sales invoice. Please ensure it is kept safe after purchase.** Please note that replacement keys are special order only (we **do not** carry these in stock for security reasons) and as such they can take 14 – 28 days to arrive.

Serial Number	
---------------	--



### ENVIRONMENT PROTECTION

Recycle unwanted materials instead of disposing of them as waste. All tools, accessories and packaging should be sorted, taken to a recycling centre and disposed of in a manner which is compatible with the environment. When the product becomes completely unserviceable and requires disposal, drain any fluids (if applicable) into approved containers and dispose of the product and fluids according to local regulations.

**Note:** It is our policy to continually improve products and as such we reserve the right to alter data, specifications and component parts without prior notice.

**Important:** No Liability is accepted for incorrect use of this product.

**Warranty:** Guarantee is 12 months from purchase date, proof of which is required for any claim.

Sealey Group, Kempson Way, Suffolk Business Park, Bury St Edmunds, Suffolk. IP32 7AR



01284 757500



01284 703534



sales@sealey.co.uk



www.sealey.co.uk