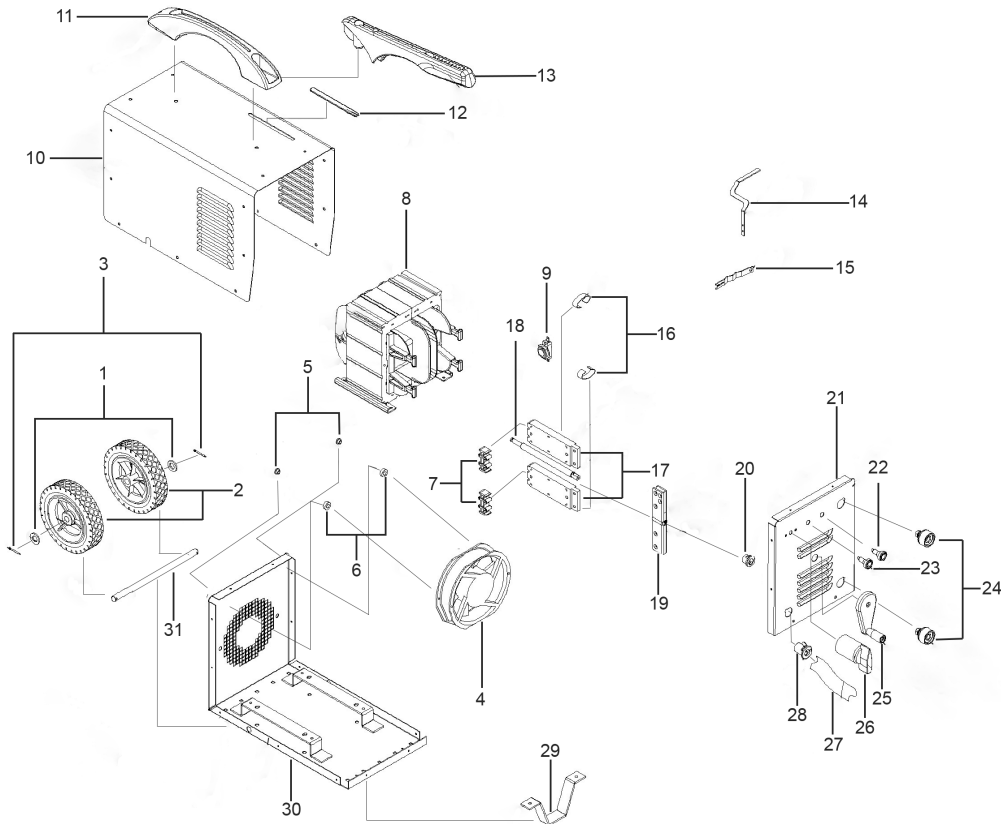


Parts Information: Arc Welder 220Amp 230/415V 3ph with Accessory Kit Model No: 220XTD



Item	Part No.	Description
1	FWM12.S	Flat Washer M12
2	SMIG230.32	Wheel, fixed plastic
3	800TTJ.41	Cotter Pin M2.4 X 20
4	250XTD.04	Fan
5	250XTD.05	Nylon bush
6	250XTD.06	Nylon cover
7	250XTD.07	Shunt support
8	250XTD.08	Transformer
9	250XTD.09	Thermal relay
10	220XTD.10	Top cover
11	250XTD.11	Handle
12	250XTD.12	Transparent plate
13	250XTD.13	Handle extension
14	250XTD.14	Indicator
15	250XTD.15	Lead screw spring
16	250XTD.16	Spring clip
17	250XTD.17	Shunt
18	250XTD.18	Lead screw

Item	Part No.	Description
19	250XTD.19	Shunt support upright
20	250XTD.20	Lead screw cover
21	220XTD.21	Front panel
22	250XTD.22	Indicator light (yellow)
23	250XTD.23	Indicator light (green)
24	250XTD.24	Dinse socket
25	250XTD.25	Crank
26	250XTD.26	Switch, rotary c/w knob
27	MC4CX2.5	Mains cable
28	250XTD.28	Cable holder
29	250XTD.29	Foot
30	250XTD.30	Bottom case
31	250XTD.31	Wheel axle
--	250XTD.ACC1	Electrode holder
--	250XTD.ACC2	Earth clamp
--	250XTD.ACC3	Electrode holder with cable
--	250XTD.ACC4	Earth clamp with cable

NOTE: It is our policy to continually improve products and as such we reserve the right to alter data, specifications and component parts without prior notice. There may be alternative versions of this product, please contact us should you require this information.

IMPORTANT: No liability is accepted for incorrect use of product. Spare parts must be fitted by a competent person

WARRANTY: Guarantee is 12 months from purchase date, proof of which will be required for any claim.