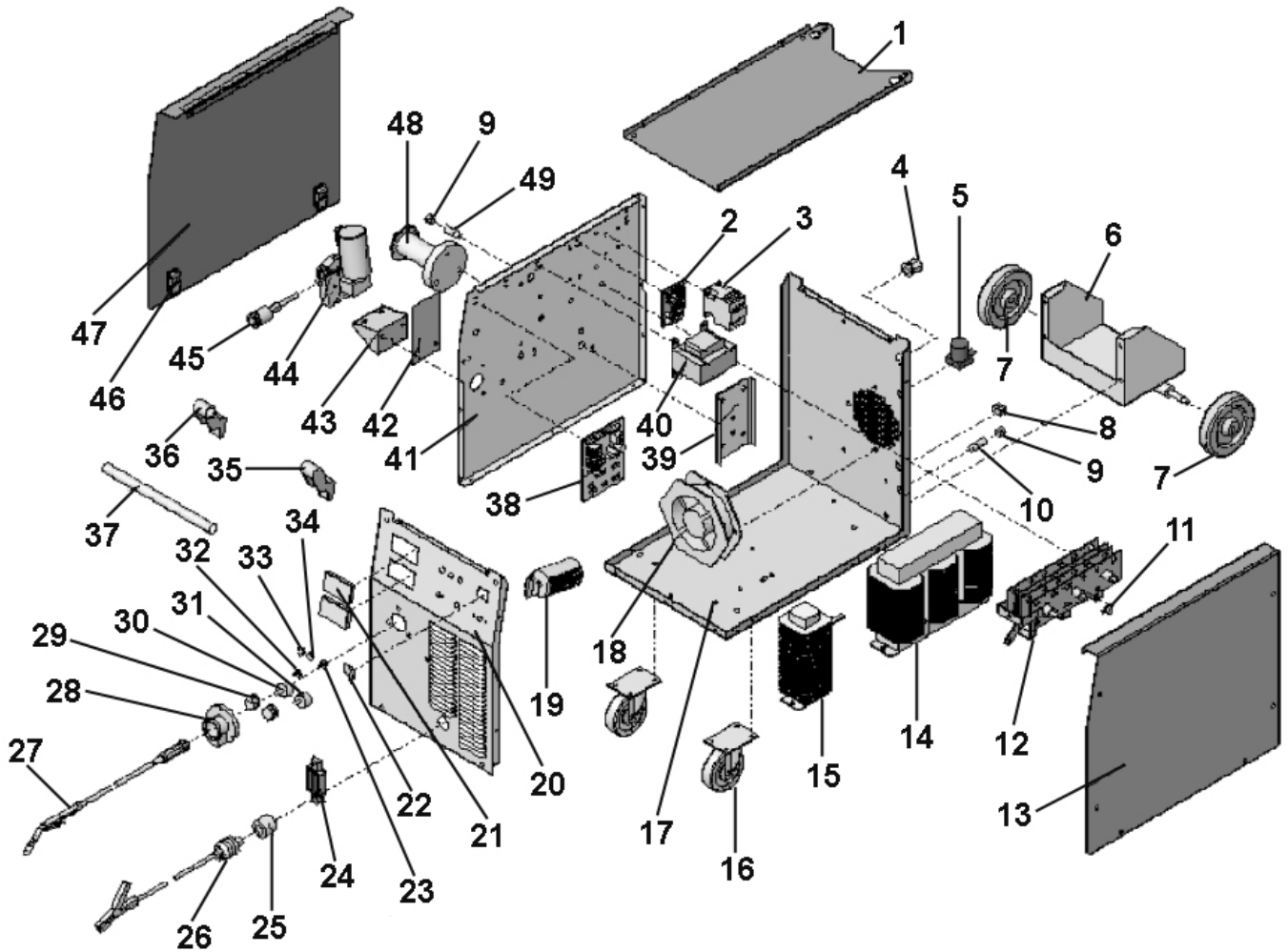




Parts Information:  
Professional MIG Welder 250Amp 415V  
3ph with Binzel® Euro Torch  
Model No: POWERMIG3525



**NOTE:** It is our policy to continually improve products and as such we reserve the right to alter data, specifications and component parts without prior notice.

**IMPORTANT:** No liability is accepted for incorrect use of product.

**WARRANTY:** Guarantee is 12 months from purchase date, proof of which will be required for any claim.

Sealey Group, Kempson Way, Suffolk Business Park, Bury St Edmunds, Suffolk. IP32 7AR



01284 757500



01284 703534



sales@sealey.co.uk



www.sealey.co.uk



Parts Information:  
**Professional MIG Welder 250Amp 415V  
 3ph with Binzel® Euro Torch  
 Model No: POWERMIG3525**

1	PMIG3525.01	TOP COVER
2	PMIG3530.02	DIGITAL DISPLAY BOARD
3	PMIG3525.03	AC CONTACTOR
4	PMIG6025S.15	CABLE GLAND
5	PMIG3530.05	ELECTRO-VALVE
6	PMIG3530.07	GAS CYLINDER BRACKET
7	PMIG3530.06	WHEEL, FIXED (141x12x32)
8	PMIG6035S.10	SOCKET
9	PMIG3525.09	FUSE HOLDER
10	PMIG3525.10	FUSE 8A
11	PMIG3530.12	THERMO-RELAY
12	PMIG3525.12	RECTIFIER
13	PMIG3525.13	RIGHT SIDE PANEL
14	PMIG3525.14	TRANSFORMER
15	PMIG3525.15	REACTANCE
16	PMIG3530.16	WHEEL, CASTOR (100x6x24x128)
17	PMIG3525.17	BOTTOM PANEL
18	PMIG3530.18	FAN
19	PMIG3525.19	UNIVERSAL SELECTOR
20	PMIG3525.20	FRONT PANEL
21	PMIG3530.22	DIGIT AMMETER
22	PMIG3530.26	SWITCH, GREEN ROCKER
23	PMIG3530.23	TOGGLE SWITCH
24	PMIG3525.24	SHUNT
25	PMIG3530.25	QUICK SOCKET 'EURO TYPE'
26	PMIG3525.26	EARTH CABLE
27	M/MIG250.77	MIG TORCH 3mtr EURO CONNECTOR BINZEL TB2
--	MIG/T25	MIG TORCH 3mtr EURO CONNECTOR TB25 (NOT SHOWN)
28	PMIG3530.29	TORCH HOLDER

Item	Part No.	Description
29	PMIG3525.29	POTENTIOMETER KNOB
30	SMIG180.V3-06	POTENTIOMETER
31	PMIG3530.31	POTENTIOMETER
32	PMIG3530.24	GRIP
33	PMIG6035S.35	INDICATOR LIGHT (GREEN)
34	PMIG6035S.36	INDICATOR LIGHT (YELLOW)
35	PMIG3530.35	HANDLE SUPPORT, RIGHT
36	PMIG3530.37	HANDLE SUPPORT, LEFT
37	PMIG3525.37	HANDLE
38	PMIG3530.45	CONTROL BOARD
39	PMIG3530.46	BRACKET BASE PLATE
40	PMIG3530.47	CONTROL TRANSFORMER
41	PMIG3525.41	MIDDLE PANEL
42	PMIG3530.43	INSULATION PLATE
43	PMIG3530.42	SUPPORT PLATE
44	PMIG3530.41	DRIVE MOTOR
45	PMIG3530.40	EURO TYPE QUICK SOCKET
46	SMIG140.41	DOOR LOCK
47	PMIG3525.47	LEFT SIDE PANEL
48	PMIG3525.48	SPOOL HOLDER
49	PMIG3525.49	FUSE
--	PMIG3525.51	CONNECT CABLE (A) (NOT SHOWN)
--	PMIG3525.52	CONNECT CABLE (B) (NOT SHOWN)
--	PMIG3525.53	CONNECT CABLE (C) (NOT SHOWN)
--	PMIG3525.54	SECONDARY CABLE (NOT SHOWN)
--	MIG920	CONTACT TIP 1.6mm TB25/36 Pack of 5 (NOT SHOWN)
--	MIG923	CONTACT TIP 1.6mm ALUMINIUM TB25/36 Pack (NOT SHOWN)

**NOTE:** It is our policy to continually improve products and as such we reserve the right to alter data, specifications and component parts without prior notice.

**IMPORTANT:** No liability is accepted for incorrect use of product.

**WARRANTY:** Guarantee is 12 months from purchase date, proof of which will be required for any claim.

**Sealey Group**, Kempson Way, Suffolk Business Park, Bury St Edmunds, Suffolk. IP32 7AR



01284 757500



01284 703534



sales@sealey.co.uk



www.sealey.co.uk