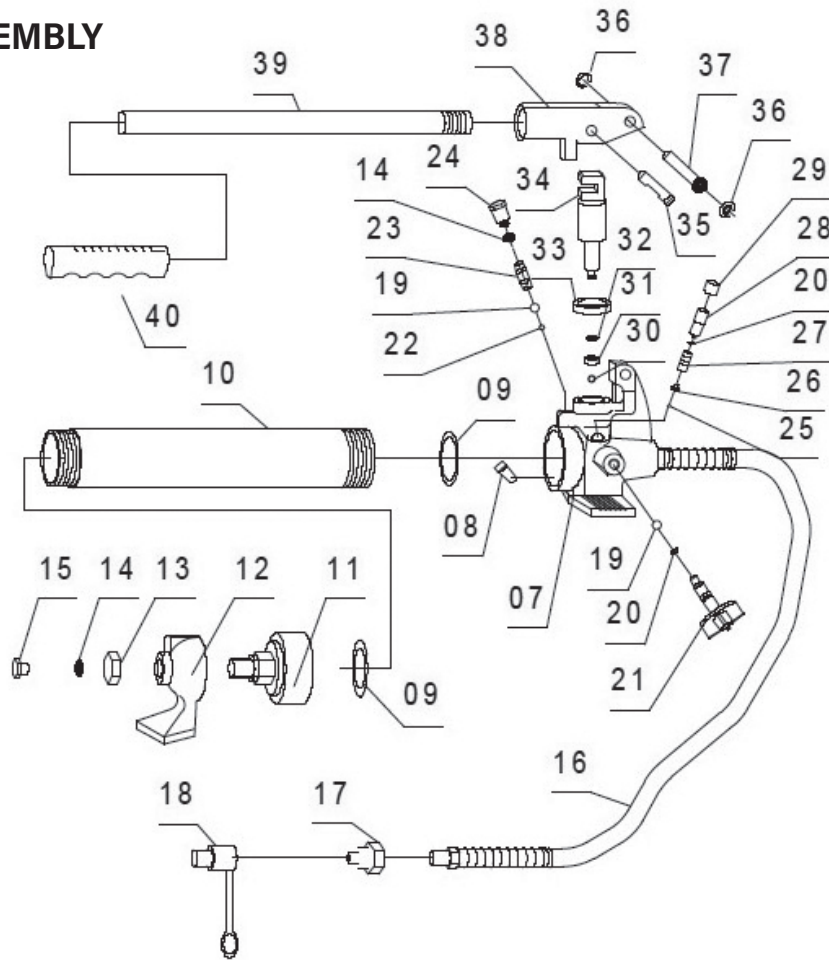


PUMP ASSEMBLY



Item	Part No.	Description
7	RE9720.20-P01	PUMP HOUSING
8	RE9720.20-P02	OIL FILTER
9	RE9720.20-P03	NYLON RING
10	RE9720.20-P04	RESERVOIR
11	RE9720.20-P05	RESERVOIR END CAP
12	RE9720.20-P06	PUMP FOOT
13	RE9720.20-P07	HEX NUT
14	RE9720.20-P08	O-RING
15	RE9720.20-P09	DIP STICK
16	RE9720.20-P10	HYDRAULIC HOSE
17	RE9720.20-P11	COUPLING (BIG)
18	RE9720.20-P12	DUST CAP
19	SB-6.4	STEEL BALL 6.4mm
20	RE9720.20-P14	O-RING
21	RE9720.20-P15	RELEASE VALVE
22	SB-6.4	STEEL BALL 6.4mm
23	RE9720.20-P17	SPRING

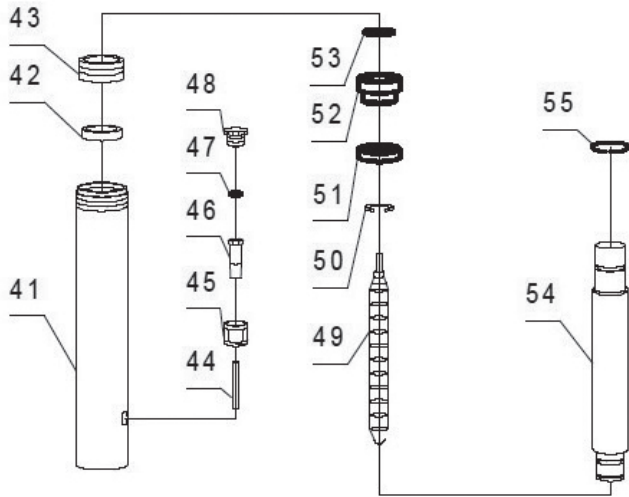
Item	Part No.	Description
24	RE9720.20-P18	SCREW (HIGH PRESSURE)
25	SB-4.0	STEEL BALL 4.0mm
26	RE9720.20-P20	SPRING BASE
27	RE9720.20-P21	SPRING
28	RE9720.20-P22	SCREW (SAFETY VALVE)
29	RE9720.20-P23	COVER
30	SB-6.0	STEEL BALL 6.0mm
31	RE9720.20-P25	Y-RING
32	RE9720.20-P26	NYLON RING
33	RE9720.20-P27	Y-RING
34	RE9720.20-P28	PISTON
35	RE9720.20-P29	PISTON PIN
36	RE9720.20-P30	RETAINING RING
37	RE9720.20-P31	BRACKET PIN
38	RE9720.20-P32	HANDLE BRACKET
39	RE9720.20-P33	PUMP HANDLE
40	RE9720.20-P34	HANDLE GRIP

NOTE: It is our policy to continually improve products and as such we reserve the right to alter data, specifications and component parts without prior notice.

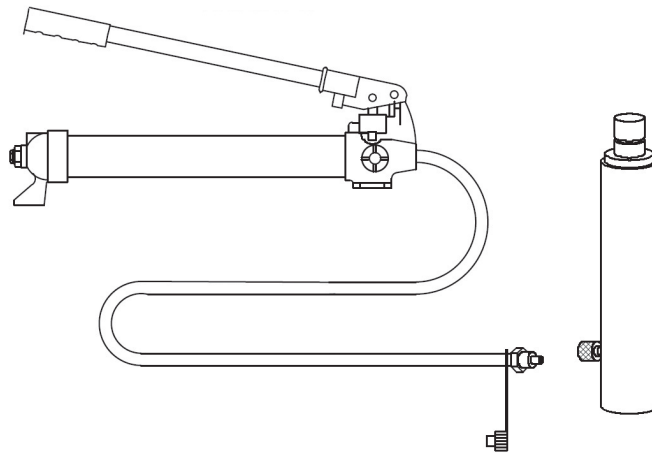
IMPORTANT: No liability is accepted for incorrect use of product.

WARRANTY: Guarantee is 12 months from purchase date, proof of which will be required for any claim.

RAM ASSEMBLY



Item	Part No.	Description
41	RE9720.20-R01	CYLINDER
42	RE9720.20-R02	PROTECTING CAP
43	RE9720.20-R03	RETAINER NUT
44	RE9720.20-R04	SPRING PIN
45	RE9720.20-R05	FEMALE CONNECTOR
46	RE9720.20-R06	COUPLING (SMALL)
47	RE9720.20-R07	O-RING
48	RE9720.20-R08	COVER
49	RE9720.20-R09	RETURN SPRING
50	RE9720.20-R10	CIRCLIP
51	RE9720.20-R11	U-CUP SEAL 60*45*10
52	RE9720.20-R12	PISTON RING
53	RE9720.20-R13	O-RING
54	RE9720.20-R14	PISTON ROD
55	RE9720.20-R15	CIRCLIP



Item	Part No.	Description
--	RE9720.20-01	PUMP ASS'Y

Item	Part No.	Description
--	RE9720.20-02	RAM ASSEMBLY

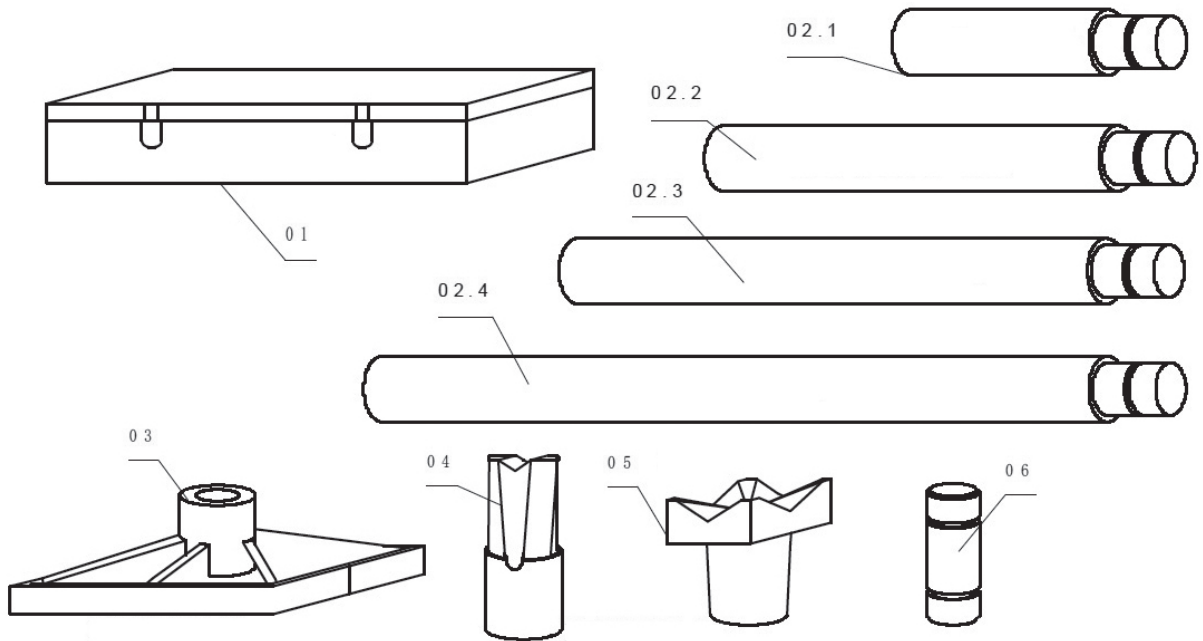
NOTE: It is our policy to continually improve products and as such we reserve the right to alter data, specifications and component parts without prior notice.

IMPORTANT: No liability is accepted for incorrect use of product.

WARRANTY: Guarantee is 12 months from purchase date, proof of which will be required for any claim.



Parts Information:
Hydraulic Body Repair Kit 20tonne
Snap Type
Model No: RE9720



Item	Part No.	Description
1	RE9720.20-03	METAL BOX
2.1	RE9720.20-02A	SUPERSNAP TUBING 195mm
2.2	RE9720.20-02B	SUPERSNAP TUBING 355mm
2.3	RE9720.20-02C	SUPERSNAP TUBING 495mm
2.4	RE9720.20-02D	SUPERSNAP TUBING 645mm

Item	Part No.	Description
3	RE9720.20-05	FLAT BASE
4	RE9720.20-06	SERRATED SADDLE
5	RE9720.20-07	WEDGE HEAD
6	RE9720.20-08	MALE CONNECTOR

NOTE: It is our policy to continually improve products and as such we reserve the right to alter data, specifications and component parts without prior notice.

IMPORTANT: No liability is accepted for incorrect use of product.

WARRANTY: Guarantee is 12 months from purchase date, proof of which will be required for any claim.

Sealey Group, Kempson Way, Suffolk Business Park, Bury St Edmunds, Suffolk. IP32 7AR



01284 757500



01284 703534



sales@sealey.co.uk



www.sealey.co.uk